

PROJECT NAME:	APPROVED BY:
CATALOG NO:	TYPE NO:

APERION APL2

Architectural Recessed Emergency Light

APERION LED - Everything You Look For In An Emergency Light...And Less.

Now available with high performance LED's in a compact concealed emergency light. Super bright LED's matched with a custom refractive lens optimizes light distribution and uniformity along the path of egress.

Long life solid state LED's together with the included Self-Test, Self-Diagnostics ensures maintenance free reliability. Also available as remote only for AC operation.



Construction

- Rotating door is just 4" square
- Unique non-contact magnetic door positioning ensures accurate and reliable opening and closing
- Patented unidirectional deflecting drive band operation provides limited mechanical movement ensuring trouble free operation
- Quality die-cast zinc frame and door, finished in durable textured white powder coat. Can be field painted or wall papered to further blend with the architecture
- Universal, wall or ceiling mount, compact 3" deep, 20 ga. steel recessed housing.
- Type IC listed, ideal for wall and plenum applications
- Fully adjustable mounting hardware suits virtually all mounting applications
- Soft-close door prevents early lamp failure and movement due to slamming
- Self-adjusting frame trim and door assembly are spring latched with no unsightly external mounting hardware
- Damp location listed as standard for 10°C to 40°C
- Modular assembly and quick connector wiring provide for fast installation and ease of maintenance

Electrical

- AC only units were designed to be used with central power systems (inverters, generators, etc.) 120 or 277 VAC field selectable input
- AC only units can be configured to operate on presence of emergency power or with a switched signal
- Environmentally friendly, maintenance free Nickel Metal Hydride batteries provide UL 924 90 minute run time

- Solid state microprocessor controlled circuitry also includes line latch, brownout protection and reverse polarity protection
- Self-Test/Self-Diagnostics is standard, ensuring reliability and code conformance
- Optional hand-held remote transmitter available to run discharge testing for 30 seconds or 90 minutes from up to 50' away
- Field selectable 120 or 277 VAC 60 Hz input. (Consult factory for other input voltages)



Illumination

- Three 3-watt white LEDs provide 561 absolute lumens on an adjustable light-bar providing up to 55' spacing on center
- Custom designed refractor lens provides optimum light distribution
- LED color temperature is 5000k
- Soft-start lamp circuit ensures optimum lamp life
- Bright white LED lamps provide uniform illumination, long lamp life, and reliability

Certification

- CSA Canadian Listed and meets CSA 22.2 No. 141-10
- New York City Approved Calendar #48850
- Tested, approved and listed by Underwriters Laboratories Inc. to UL 924, meets NFPA 101 Life Safety Code, NFPA 70- NEC, and OSHA requirements
- California Title 20 compliant



US Patent #7,654,710

ORDERING GUIDE – APL2

Example: APL2-WH-UI

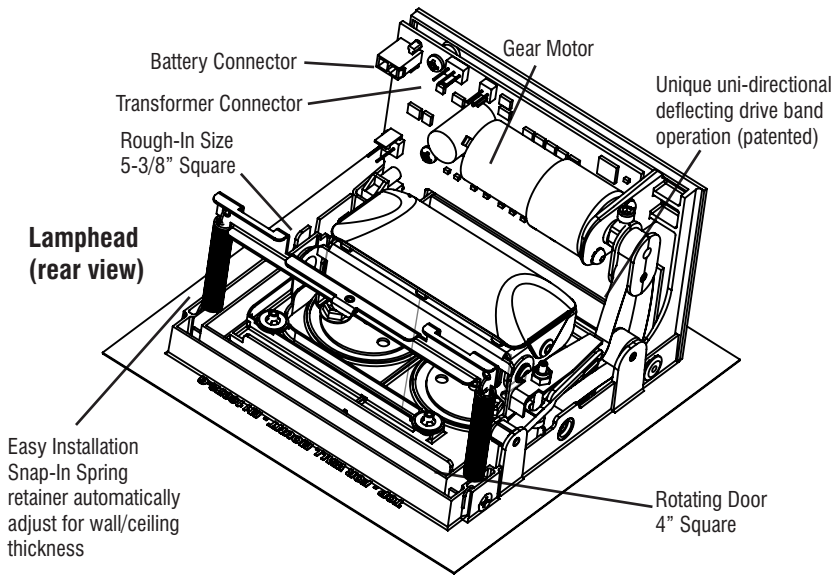
Model	Housing Color	Mounting	Options
APL2 Aperion Recessed Emergency Light	WH White Standard BK Black to order CC Custom Color	UI Backbox and Fixture shipped complete UP Back box pre-shipped	CP Chicago Plenum Listed DD Defeat Monthly Self-Test TD 15 Minute Retransfer Delay TLRT Infrared Remote Testing Transmitter (order separately, typically only 1 or 2 are required per site)
APL-AC 120 or 277 vac model (without battery) for use with central power systems or general remote use only			
APL2			

Fill in fields from categories above and complete type and part number.

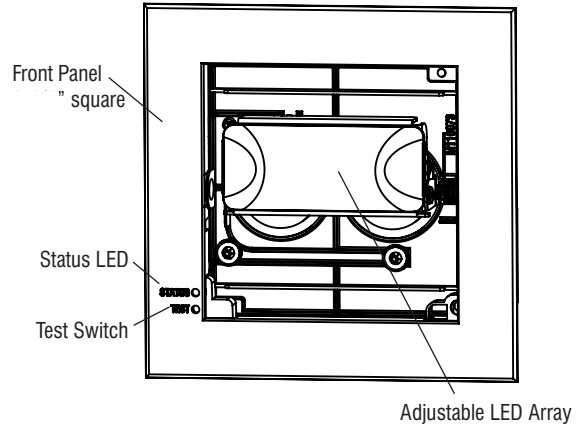
Type Number:

Full Part Number:

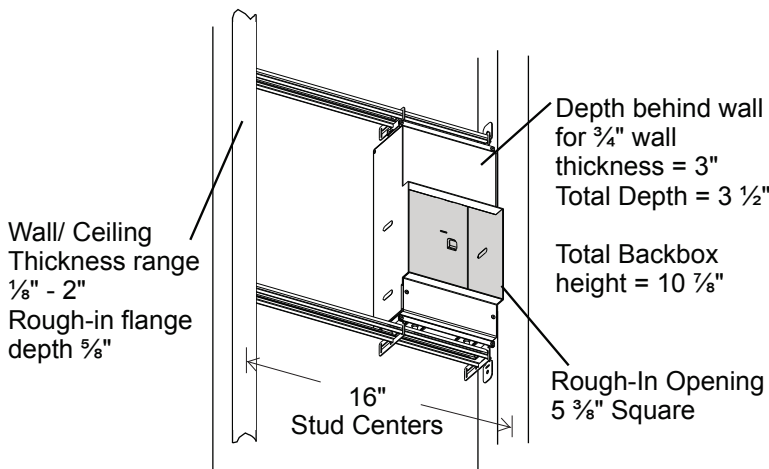
Aperion LED Emergency Lighting



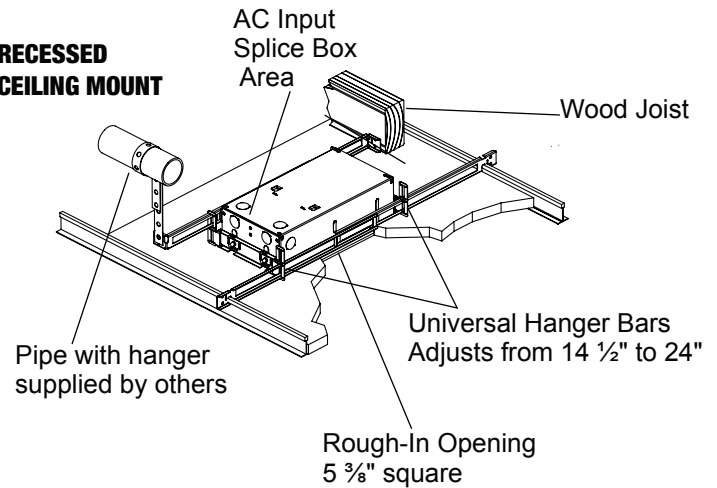
Installed view (Emergency Mode)



RECESSED WALL MOUNT



RECESSED CEILING MOUNT



TLRT - Infrared Remote Testing Transmitter

Model		Watts	Amps	
APL2	120VAC	10	0.1	
	277VAC	10	0.1	
APL2-AC	(BACKUP input)	120VAC	18	0.2
		277VAC	18	0.1
	(UTIL input)	120VAC	2	0.1
		277VAC	2	0.1