

DECOR DESIGNER – Recessed Emergency Light

The Decor Designer DP series provides a fully recessed, self-contained emergency lighting fixture suitable for ceiling or wall installation. By recessing the main housing the DP series provides a clean and unobtrusive emergency light to blend with your chosen Decor.

Construction

- The Decor Designer DP series provides a fully recessed, self-contained emergency lighting fixture suitable for ceiling or wall installation. By recessing the main housing the DP series provides a clean and unobtrusive emergency light to blend with your chosen Decor
- One-piece, steel housing recesses into wall or ceiling. The lamp head plate is secured by torsion spring clips eliminating the need for fixing screws while allowing for ease of installation and maintenance
- Sturdy 20 gauge steel cabinet with multiple knockout entries. Lamp head plate is finished in a durable white powder coat (other colors available to order)

Electrical

- Higher capacity units provide for additional remote lighting loads
- Choice of maintenance free sealed Lead Calcium or Nickel Cadmium batteries, minimum 90 minute operation
- Brown out sensing assures emergency operation during periods of low line voltage
- Premium, fully automatic current limited “Pulse Switching” charger provides ideal charge conditions for optimum battery performance and life
- Short Circuit battery protection
- Field selectable 120 or 277 VAC input
- Momentary test switch and dual diagnostic LED indicator displays AC presence and Hi-Charge status
- Line-latch prevents unnecessary discharge of battery during installation, loads will not illuminate until after application of utility power
- Low voltage cut-off prevents battery damage and ensures positive charge acceptance following an extended discharge
- Self-Test / Self-Diagnostic monitoring available



Optional LED Lampheads

Illumination

- Available with two fully adjustable PAR 36 or the smaller PAR 18 lamp heads, which are now available with MR16 LED lamps. Standard lamp is 9 watt

Certification

- Listed to UL 924, meets NFPA 101 Life Safety Code, NFPA 70-NEC and OSHA requirements



Warranty

- 3 year limited warranty

ORDERING GUIDE – DP Series

Example: DP2E18-2-L65-SD

Model	Operating Voltage/Wattage		No. of Lighthoods		Lamp Options	Options
DP	Lead Calcium Battery		Nickel Cadmium Battery		W69 6V 9W Tungsten Standard W129 12V 9W Tungsten Standard L65 6V 5W LED PAR 18 Thermoplastic L67 6V 7W LED PAR 18 Thermoplastic L125 12V 5V LED PAR 18 Thermoplastic L127 12V 7W LED PAR 18 Thermoplastic	SD Self-Test/Self-diagnostic TD 15 Minute Time Delay (specify AC voltage) B Black Housing and Heads
	90 Minute Capacity		90 Minute Capacity			
	2E18	6 Volt – 18 Watts	2N22	6 Volt – 22 Watts		
	2E27	6 Volt – 27 Watts	2N42	6 Volt – 42 Watts		
	2E36	6 Volt – 36 Watts	4N42	12 Volt – 42 Watts		
4E36	12 Volt – 36 Watts					
DP						

Fill in fields from categories above and complete type and part number.

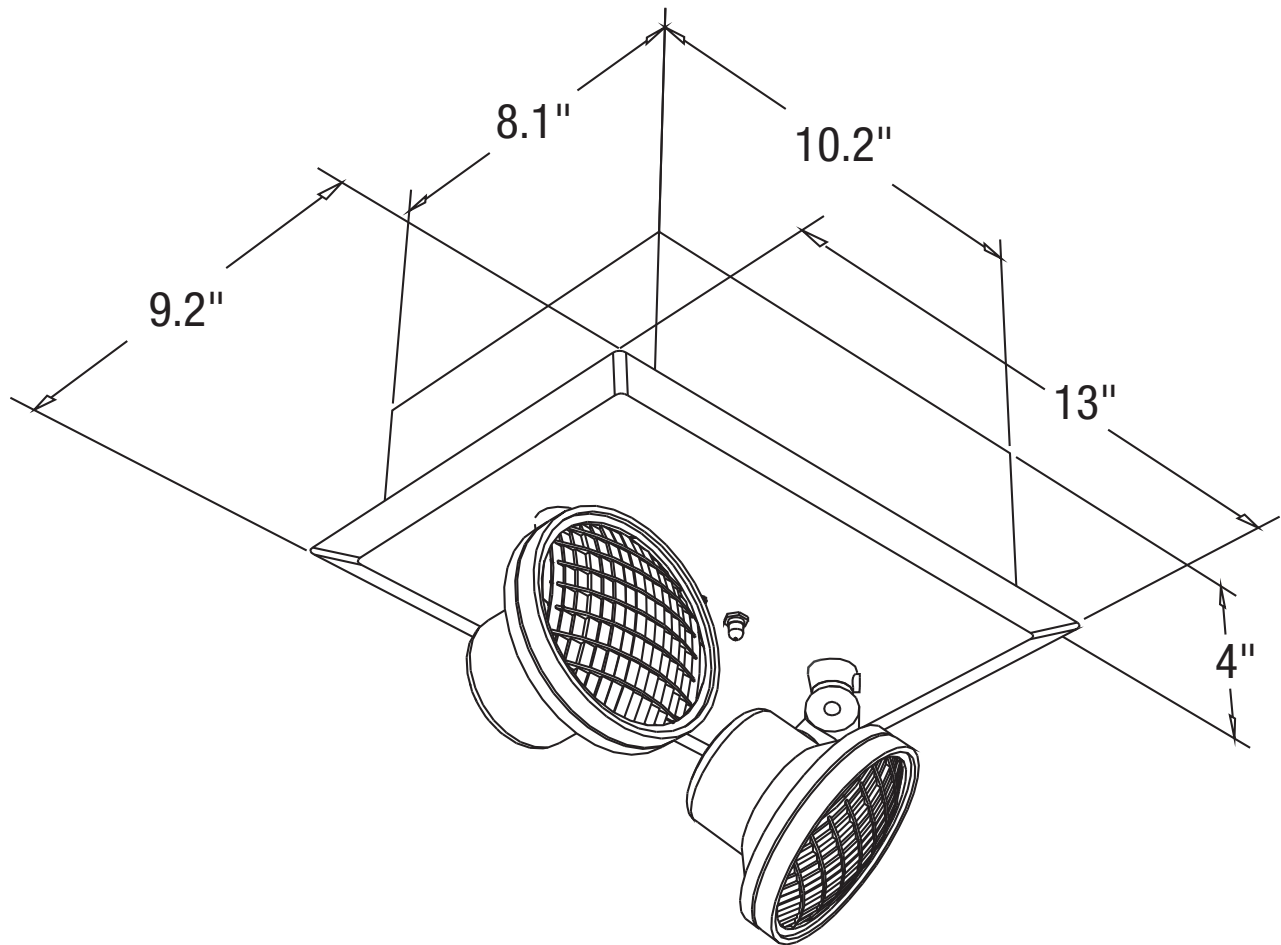
Type Number:

Full Part Number:

Decor Designer - Recessed Emergency Light

Optional MR16 Heads Available Lamps

Voltage/Wattage	Lumens
6 OR 12V 5W LED	300
6 OR 12V 7W LED	382



Standard
PAR 36 Lighting Head

