

PROJECT NAME:	APPROVED BY:
CATALOG NO:	TYPE NO:

# DECOR DESIGNER – T Bar Recessed Emergency Light

The Decor DS series provides a self-contained emergency lighting fixture for recessing into suspended grid or lay-in ceiling systems. By recessing into the ceiling the DS series provides a clean and unobtrusive emergency light to blend with your chosen Decor.

## Construction

- One piece, steel housing drops into ceiling T-bar grid and provides cut ceiling tile support. T-bar retaining brackets are included together with provision for chain or cable suspension
- Sturdy 20 gauge steel cabinet with multiple knock-out entries, finished in a durable white powder coat finish (other colors available to order)
- Removable side access panel for ease of service and installation

## Electrical

- Choice of maintenance free sealed Lead Calcium or Nickel Cadmium batteries
- Brownout sensing assures emergency operation during periods of low line voltage
- Premium, fully automatic current limited "Pulse Switching" charger provides ideal charge conditions for optimum battery performance and life
- Short Circuit battery protection
- Field selectable 120 or 277 VAC input
- Momentary test switch and dual diagnostic LED indicator displays AC presence and Hi-Charge status
- Line-latch prevents unnecessary discharge of battery during installation, loads will not illuminate until after application of utility power
- Low voltage cut-off prevents battery damage and ensures positive charge acceptance following an extended discharge
- Self-Test / Self-Diagnostic monitoring available

## Illumination

- Available with two fully adjustable Par36 or the smaller Par18 lamp heads with a variety of lamp types and wattage's
- Standard lamp is 9 watt
- High capacity units provide for additional remote lighting

## Certification

- Listed to UL 924, meets NFPA 101 Life Safety Code, NFPA 70-NEC and OSHA requirements



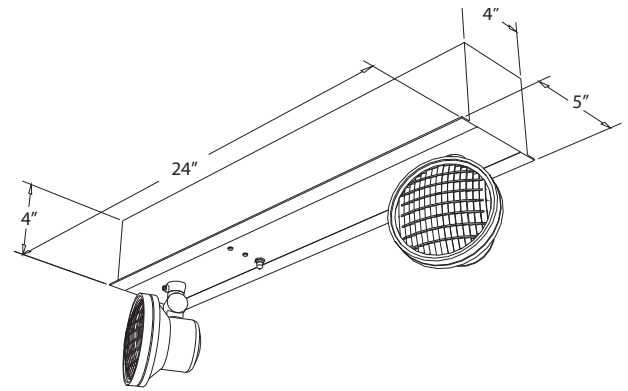
## Warranty

- 3 year limited warranty



Shown with optional LED lampheads

Optional MR16 Heads Available Lamps	
Voltage/Wattage	Lumens
6V 7WLED	382
12V 5WLED	300
12V 7WLED	382



Standard PAR 36 Lighting Head

## ORDERING GUIDE – DS Series

Example: DS2E27-2-L67-SD

Model	Operating Voltage/Wattage		No. of Lightheads	Lamp Options	Options			
DS	<b>Lead Calcium Battery</b> 90 Minute Capacity	<b>Nickel Cadmium Battery</b> 90 Minute Capacity	2 Double Lighting Heads 0 No Lighting Heads	<b>W69</b> 6V 9W Tungsten Standard <b>W129</b> 12V 9W Tungsten Standard <b>L65</b> 6V 5W LED PAR 18 Thermoplastic <b>L67</b> 6V 7W LED PAR 18 Thermoplastic <b>L125</b> 12V 5W LED PAR 18 Thermoplastic <b>L127</b> 12V 7W LED PAR 18 Thermoplastic	<b>SD</b> Self-Test/Self-Diagnostic <b>TD</b> 15 Minute Time Delay (Specify AC Voltage) <b>VM</b> Volt Meter <b>B</b> Black Housing and Heads			
						<b>2E27</b> 6 Volt – 27 Watts	<b>2N42</b> 6 Volt – 42 Watts	
	<b>2E36</b> 6 Volt – 36 Watts	<b>2N54</b> 6 Volt – 54 Watts						
	<b>2E60</b> 6 Volt – 60 Watts	<b>2N90</b> 6 Volt – 90 Watts						
	<b>2E72</b> 6 Volt – 72 Watts							
	<b>4E36</b> 12 Volt – 36 Watts	<b>4N42</b> 12 Volt – 42 Watts						
	<b>4E60</b> 12 Volt – 60 Watts	<b>4N90</b> 12 Volt – 90 Watts						
	<b>4E140</b> 12 Volt – 140 Watts	<b>4N130</b> 12 Volt – 130 Watts						
	DS							

Fill in fields from categories above and complete type and part number.

Type Number:

Full Part Number: