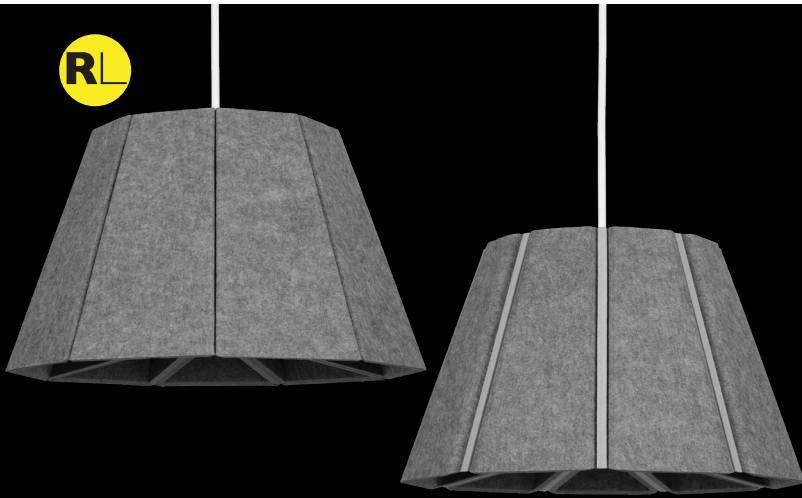


# Blume® 4

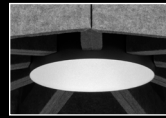
DECORATIVE LED PENDANT



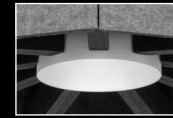
FOCAL POINT®



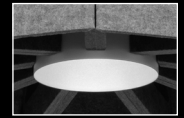
100's of customizable color combinations



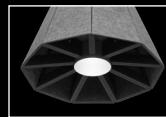
Black trim detail



White trim detail



Palladium Silver trim detail



Solid shade detail from below



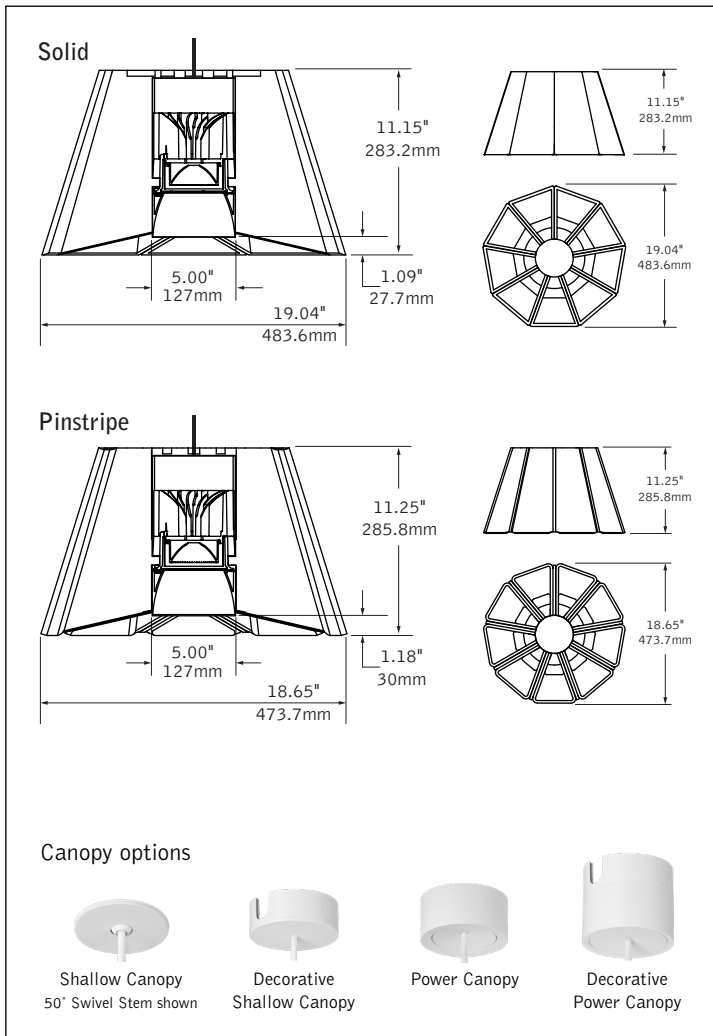
Blume 3 companions



Cylinder companions



## DIMENSIONAL DATA (continued on page 4)



## FEATURES

Nominal 19" diameter decorative PET felt shaded pendant.

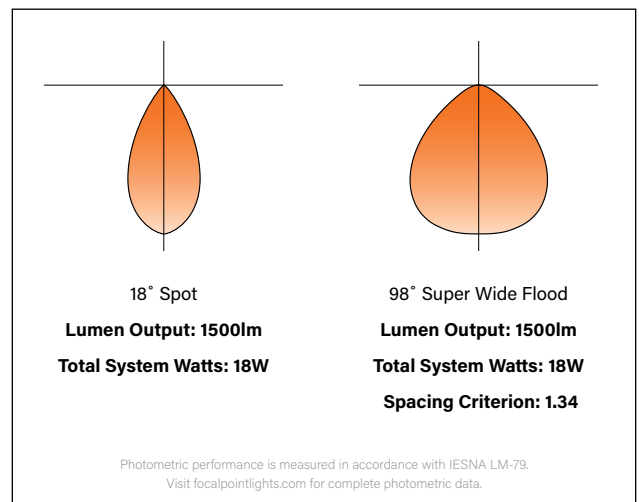
Wide range of color options provides design flexibility and personalization for any project.

Optional Pinstripe detail may be specified in any of the available colors.

50° cut-off available with Solite lens for brightness control and visual comfort.

50° and 80° cut-off available for optimal visual comfort.

## PERFORMANCE



fixture:

project:

**SPECIFICATIONS**  
Acoustic Material

<b>Content</b>	Housing material is 100% polyester containing up to 50% of recycled plastic bottles (PET felt) with an ASTM E-84 Class A / CAN ULC S102 fire rating and is moisture resistant.  See page 3 for color offering. Acoustic material colors are subject to change without notice. For the most current color options, please visit focalpointlights.com/acousticsolutions. Lead times may vary depending on color.
<b>Cleaning and Care</b>	Remove dust and debris with a clean, soft, lint-free cloth or vacuum
<b>PET Thickness</b>	9mm
<b>NRC</b>	0.9

**LED System**

Proprietary LED module with single light emitting source. May be specified in 2700K, 3000K, 3500K or 4000K in CRI>80 or CRI>90. Color accuracy within 2 SDCM. Aluminum heat sink provides appropriate thermal management.

**Light Engine Construction**

Upper housing is extruded aluminum. Lower reflector is die-cast aluminum. Twist & lock construction leaves no visible fasteners within the knife edge trim. Weight = 7.35 lbs.

**Optics**

Beam spreads achieved with optics that may be easily changed in field.

Lumen Output	Cut-Off Degree	Distribution Beam Spread   Spacing Criteria					
		SP	NFL	FL	WFL	VWFL	SWFL
1000 - 1500	50°	18°   0.33	27°   0.48	35°   0.59	54°   0.83	69°   1.02	—
	80°	—	—	—	—	—	98°   1.34
2000 - 3000	50°	—	26°   0.44	41°   0.67	56°   0.83	69°   1.08	—
	80°	—	—	—	—	—	98°   1.34

**Electrical**

Choice of constant current dimming drivers. Power factor > .9 typical. L11 & LFP with Shallow Canopy, Integral Driver not Right Light as standard, consult factory.

**Emergency**

Emergency output — 7W for 90 minutes. Maximum mounting height: 16ft. J-box cannot be recessed above the ceiling with Emergency Battery.

**Labels**

UL and cUL listed. Suitable for Dry Locations, indoor use only.

**Trim/Canopy/Stem Finish**

Polyester powder coat applied over a multi-stage pre-treatment.

**Cleaning and Care**

Remove dust and debris with a clean, soft, lint-free cloth or vacuum.

**Lumen Maintenance**

Reported: L70 > 60,000 hours                      Calculated: L70 at > 204,000 hours  
 L80 > 60,000 hours                                  L80 at > 126,000 hours  
 (Derived from EPA TM-21 calculator. Based on typical conditions, consult factory for additional data.)

**Reliability**

At Focal Point, our products are designed to stand the test of time. Each luminaire is engineered using superior components, manufactured with the utmost care and rigorously tested. Contact us for reliability data.

**Warranty**

LED system rated for operation in ambient environments up to 25°C. 5-year limited warranty.

**PERFORMANCE TABLE**

Lumen Output	Delivered Lumens	System Watts	LPW
1000L	1033	11	91
1500L	1509	18	86
2000L	2074	24	88
2500L	2609	31	84
3000L	2906	34	84

3500K, 80CRI, Clear Diffuse, Flood distribution. Lumen output may vary +/- 5%. Actual wattage may vary +/- 5%.

Focal Point LLC reserves the right to change specifications for product improvement without notification.

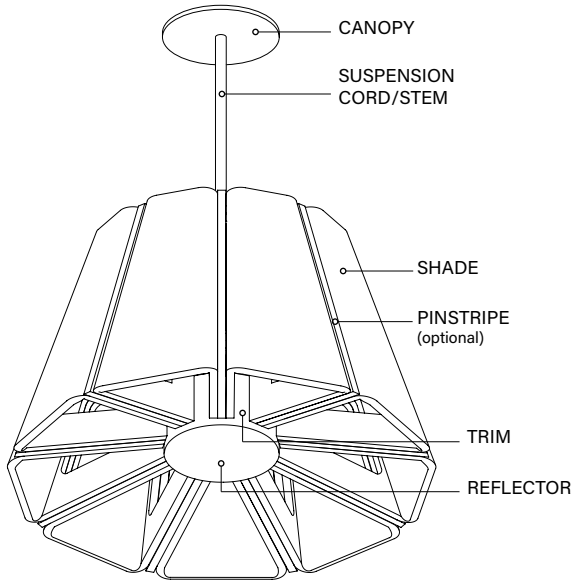
**ORDERING**

<b>Luminaire Series</b>	<b>DBL4</b>	<b>DBL4</b>
Blume 4 Decorative LED Pendant	DBL4	
<b>Nominal Height</b>	<b>11"</b>	<b>11</b>
11"	11	
<b>Shade Color</b>	---	---
<small>See page 3 for color offering</small>		
<b>Pinstripe Color</b>	---	---
<small>See page 3 for color offering</small>		
No Pinstripe	NP	
<b>Canopy Type</b>		
Shallow Canopy, Integral Driver	SC	
Shallow Canopy with decorative J-box cover, Integral Driver	DSC	
<small>*(L11 &amp; LFP only)</small>		
Power Canopy	PC	
Power Canopy with decorative J-box cover	DPC	
<b>Canopy Color</b>		
Black	BK	
White	WH	
Palladium Silver	PS	
<b>Suspension Type</b>		
72" Cable, Straight Feed <small>(Cut in field)</small>	C72	
144" Cable, Straight Feed <small>(Cut in field)</small>	C144	
12", 50° Swivel Stem	B12	
18", 50° Swivel Stem	B18	
2'- 8' in 1' increments, 50° Swivel Stem <small>(Specify in inches, example: 8' stem = B96)</small>	B_	
12", Fixed Stem	S12	
18", Fixed Stem	S18	
2'- 8' in 1' increments, Fixed Stem <small>(Specify in inches, example: 8' stem = S96)</small>	S_	
<b>Suspension Color</b>		
Black	BK	
White	WH	
Gray <small>(Cable only)</small>	GRY	
Palladium Silver <small>(Stem only)</small>	PS	
<b>Reflector Color</b>		<b>CD</b>
Clear Diffuse	CD	
<b>Trim Color</b>		
Black	BK	
White	WH	
Palladium Silver	PS	
<b>Lumen Output</b>		
1000 Lumens	1000L	
1500 Lumens	1500L	
2000 Lumens	2000L	
2500 Lumens	2500L	
3000 Lumens <small>(PC &amp; DPC only)</small>	3000L	
<b>Color Temperature</b>		
2700K, 80+ CRI or 90+ CRI	27K or 927K	
3000K, 80+ CRI or 90+ CRI	30K or 930K	
3500K, 80+ CRI or 90+ CRI	35K or 935K	
4000K, 80+ CRI or 90+ CRI	40K or 940K	
<b>Circuit</b>		<b>1C</b>
Single Circuit	1C	
<b>Voltage</b>		
120/277 UNV	UNV	
120 Volt	120	
277 Volt	277	
<b>Control System &amp; Dimming Level</b>		
0-10V - 0% Dimming	LZ1	
0-10V - 1% Dimming	L11	
Phase Dimming <small>(SC only, 120V only. Consult factory for recommended dimmers.)</small>	LFP	
Lutron Hi-Lume EcoSystem (LDE1) - 1% Dimming	LH1	
Lutron Hi-Lume - Forward Phase - 1% Dimming <small>(120V only, 1000L only.)</small>	LTE	
DALI - 0% Dimming	DZ1	
DALI - 1% Dimming	D11	
<b>Optic</b>		
50° Cut-off Cone <small>(Not available with SWFL distribution)</small>	DNT	
50° Cut-off Cone with Solite Lens <small>(NFL distribution only)</small>	DNTS	
80° Cut-off Cone <small>(SWFL distribution only)</small>	DSS	
<b>Distribution</b>		
Spot <small>(1000L &amp; 1500L only)</small>	SP	
Narrow Flood	NFL	
Flood	FL	
Wide Flood	WFL	
Very Wide Flood	VWFL	
Super Wide Flood	SWFL	
<b>Factory Options</b>		
Emergency Battery <small>(J-box cannot be recessed above the ceiling. Remote test switch.)</small>	EMR	

# Decorative Finishes



## Finish Diagram



## Canopy/Stem/Trim Paint Finishes



## Cord Colors



## PET Material

### STANDARD COLORS



### PREMIUM COLORS\*



**Declare.**

**9mm PET Felt**  
Focal Point, LLC

Final Assembly: Chicago, Illinois, USA  
Life Expectancy: 30 Year(s)  
End of Life Options: Salvageable/Reusable in its Entirety, Recyclable (100%)

Ingredients:

Polyethylene terephthalate; PET; N, N'-Ethylene bisstearamide; Octadecanamide, N,N'-1,2-ethanedilybis-; Stearic Acid; Stearic Acid; Antioxidant 1076; Benzenepropanoic acid, 3,5-bis(1-(dimethylethyl)-4-hydroxy-, octadecyl ester); Antioxidant KY-405; Benzenamine, 4-(1-methyl-1-phenylethyl)-; N-[4-(1-methyl-1-phenylethyl)phenyl]-; Titanium Dioxide; Titanium dioxide

Living Building Challenge Criteria: Compliant

I-13 Red List:  
 LBC Red List Free      % Disclosed: 100% at 100ppm  
 LBC Red List Approved      VOC Content: Not Applicable  
 Declared

I-10 Interior Performance: CDPH Standard Method v1.1-2010  
 I-14 Responsible Sourcing: Not Applicable

FPL-0001  
 EXP: 01 MAR 2024  
 Original Issue Date: 2020

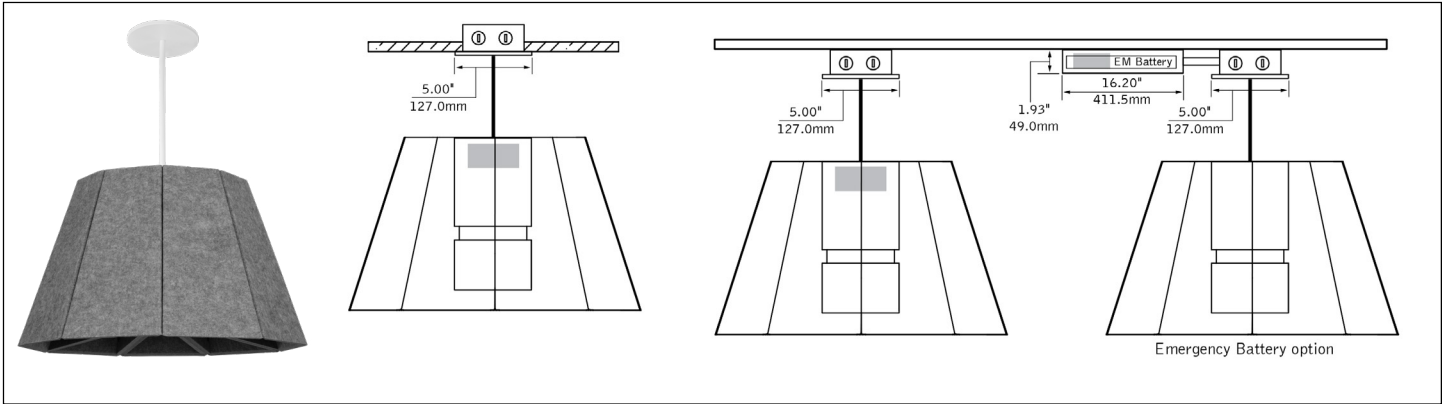
MANUFACTURED RESPONSIBLY FOR LABEL ACCURACY  
 INTERNATIONAL LIVING FUTURE INSTITUTE™ living-future.org/declare

\*Contact factory for lead time and pricing.

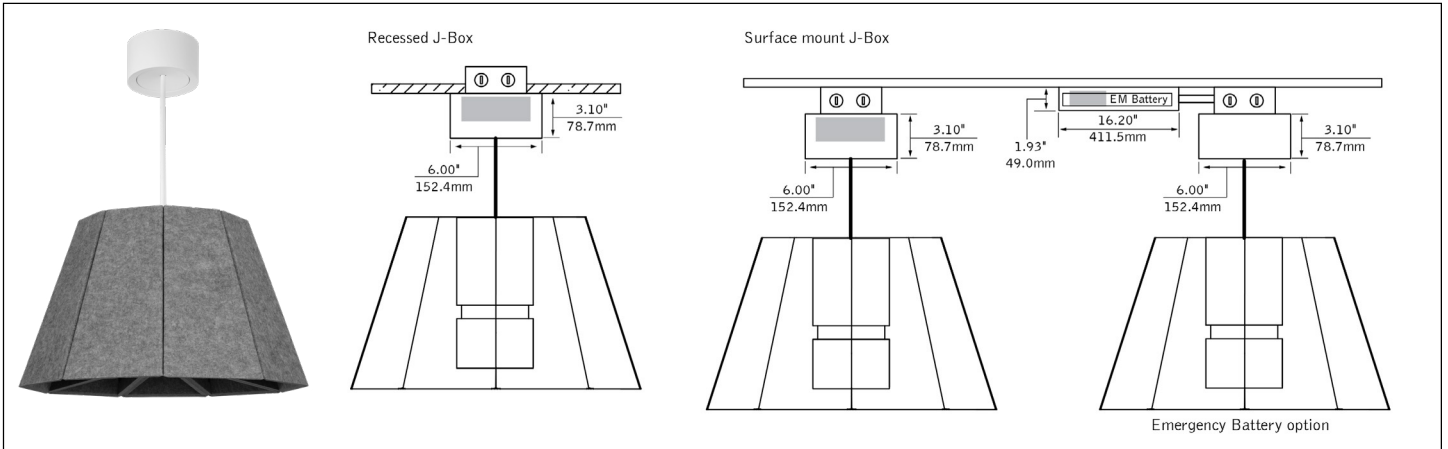
**DIMENSIONAL DATA CONTINUED**

**SC - Shallow Canopy (Integral driver)**

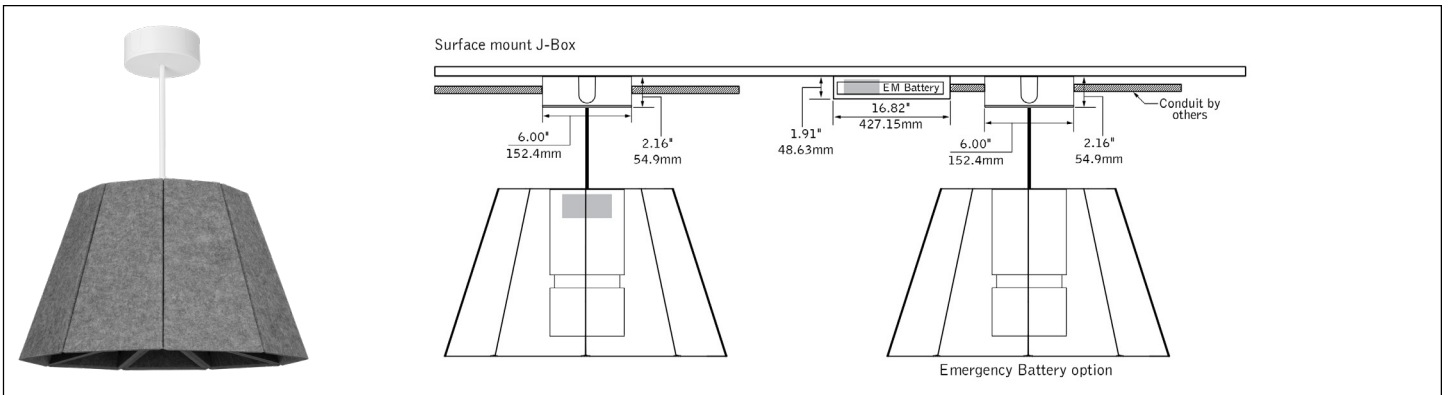
■ Indicates Driver Location



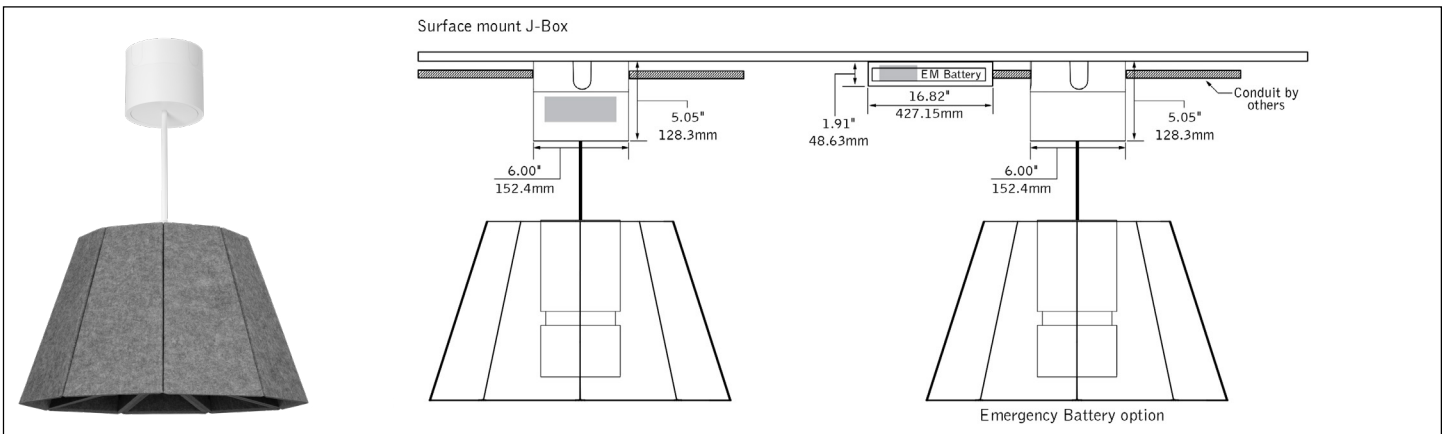
**PC - Power Canopy**



**DSC - Shallow Canopy with decorative J-box cover, Integral Driver**

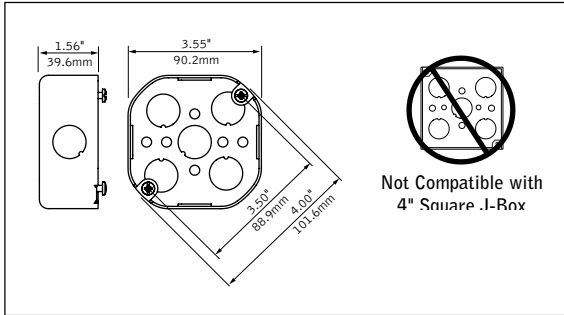


**DPC - Power Canopy with decorative J-box cover**



## DIMENSIONAL DATA CONTINUED

### 4" Octagonal J-box required (By others)



## LUMEN MULTIPLIER TABLE

### Color Temperature & CRI

Trim Type	Optic	Color Temperature	Multiplier
Round [RD]	ALL	2700K, 80+ CRI [27K]	0.93
		2700K, 90+ CRI [927K]	0.78
		3000K, 80+ CRI [30K]	0.97
		3000K, 90+ CRI [930K]	0.81
		3500K, 80+ CRI [35K]	1.00
		3500K, 90+ CRI [935K]	0.83
		4000K, 80+ CRI [40K]	1.01
		4000K, 90+ CRI [940K]	0.86

### Optic & Distribution (1000L - 1500L)

Trim Type	Optic	Distribution	Multiplier
Round [RD]	Tall Cone, 50° cut-off [DNT]	Spot (18°) [SPL]	1.00
		Narrow Flood (27°) [NFL]	0.97
		Flood (35°) [FL]	0.93
		Wide Flood (54°) [WFL]	1.00
		Very Wide Flood (69°) [VWFL]	0.93
	Tall Cone, 50° cut-off with Solite Lens [DNLS]	Narrow Flood (27°) [NFL]	1.00
	Super Short Cone, 80° cut-off [DSS]	Super Wide Flood (98°) [SWFL]	0.85

### Optic & Distribution (2000L - 3000L)

Trim Type	Optic	Distribution	Multiplier
Round [RD]	Tall Cone, 50° cut-off [DNT]	Narrow Flood (26°) [NFL]	0.98
		Flood (41°) [FL]	0.92
		Wide Flood (56°) [WFL]	1.00
		Very Wide Flood (69°) [VWFL]	0.89
	Tall Cone, 50° cut-off with Solite Lens [DNLS]	Narrow Flood (26°) [NFL]	1.11
	Super Short Cone, 80° cut-off [DSS]	Super Wide Flood (98°) [SWFL]	0.83

Multiplier tables are provided to aid with estimation of lumen levels across options. Apply multipliers against ordered Lumen Output to estimate Delivered Lumens. Refer to IES files for most accurate photometric information.

## How To Use Lumen Multipliers

**Formula:** (Lumen Output Value) x (Color Temperature & CRI) x (Optic & Distribution)

**Example:** DBL4-11-XX-XX-XX-XX-XX-XX-CD-XX-1000L-935K-1C-UNV-XX-DNT-FL  
 (1000) x (0.83) x (0.93) ≈ 726 lm (estimated delivered lumens)