



SilkSpace definition combines the minimalist, modern good looks of our SilkSpace performance luminaire, in a value version that's perfect for your tight budget projects.

SilkSpace definition now includes AccuRender technology for the highest color quality at the highest efficacy.

Project: _____
 Location: _____
 Cat.No: _____
 Type: _____
 Line ID: _____ Qty: _____
 Notes: _____

Ordering guide

example: 4222D1STL93540A1DE

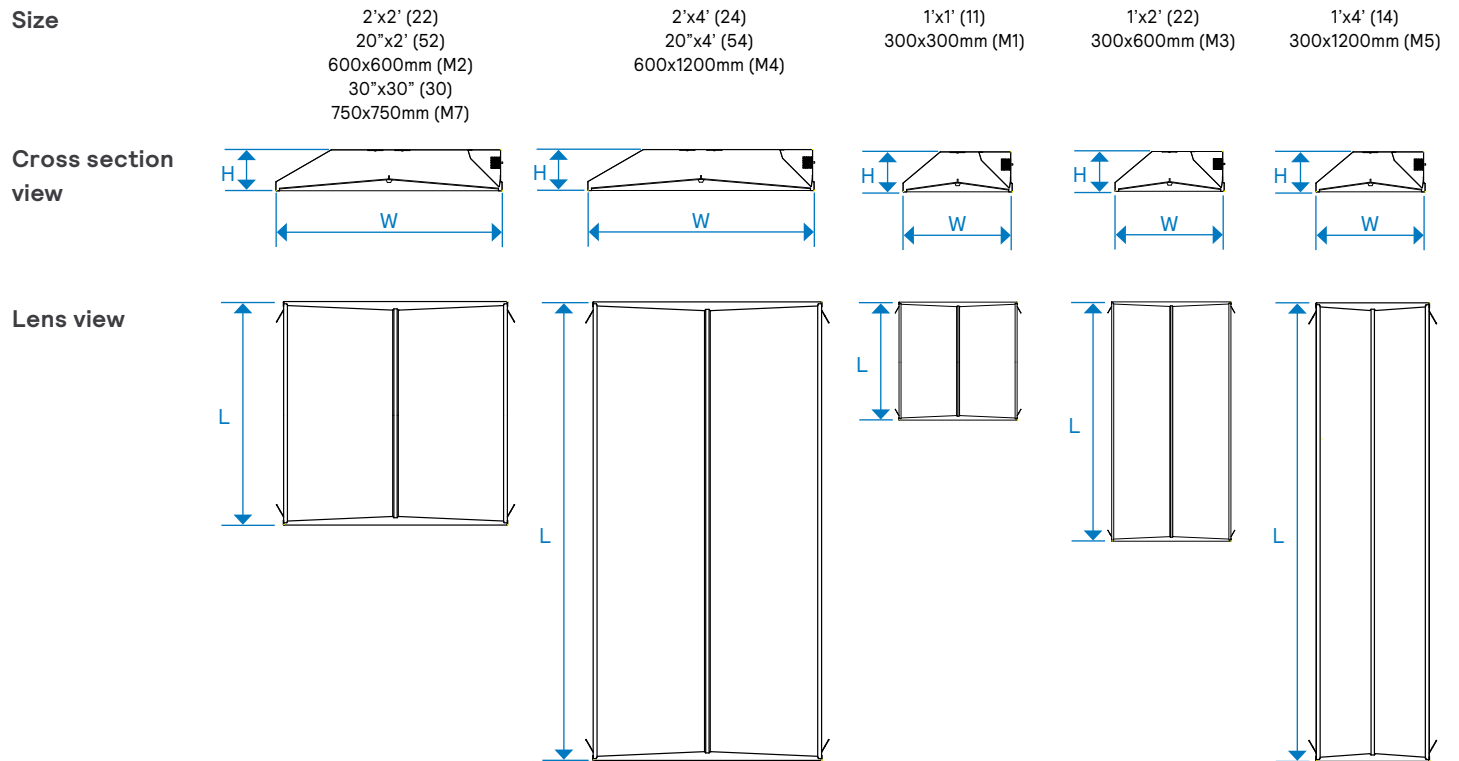
Family	Size ⁴	Version	Configuration	Source	CRI/CCT ¹	Lumens ¹	
42			ST	L			
42 SilkSpace definition	24 2'x4' ² 54 20'x4' ^{4,5} M4 600x1200mm ^{2,6}	D1 Standard T-Grid C1 Standard T-Grid+ Chicago Plenum A1 Standard T-Grid+ Air Return ⁵	ST Standalone	L LED	950 CRI 90, 5000K 940 CRI 90, 4000K 935 CRI 90, 3500K 930 CRI 90, 3000K 927 CRI 90, 2700K	80 8000lm 75 7500lm 70 7000lm 65 6500lm 60 6000lm 55 5500lm 50 5000lm 45 4500lm 40 4000lm	
	30 30"x30" ⁹ M7 750x740mm ⁹					60 6000lm 55 5500lm 50 5000lm 45 4500lm 40 4000lm 35 3500lm 30 3000lm	
	14 1'x4' ⁵ 22 2'x2' ¹ 52 20"x2' ^{5,9} M2 600x600mm ⁹ M5 300x1200mm ⁹						50 5000lm 45 4500lm 40 4000lm 35 3500lm 30 3000lm 25 2500lm
	12 1'x2' ^{5,9} M5 300x600mm ^{5,9}						30 3000lm 25 2500lm 20 2000lm 10 1000lm
	11 1'x1' ^{5,7,9} M1 300x300mm ^{5,7,9}						15 1500lm 10 1000lm
Optics	Wiring ³	Voltage ³	Driver ^{3,8}	Option ^{4,5}	System/Controls		
A							
A Acrylic Silk Lens	B Single Circuit+ Battery Pack ^{6,7}	D UNV 120-277V 3 347V ⁹	E Advance Xitanium 0-10V (1% Dim)	N No option D Drywall trim kit P Flex whip (6") S Solid filler panel (set of 2) A Air return filler panel (set of 2)	Leave blank if none		
		D UNV 120-277V	D Advance Xitanium DALI (5% Dim) ⁶ H Lutron EcoSystem LDE1 (<1% Dim, Fade-to-Black) ^{6,9}				
	1 Single Circuit B Single Circuit+ Battery Pack ^{6,7} R UL924 Sensor Bypass Relay ¹¹	D UNV 120-277V	S Advance Xitanium Sensor Ready (1% Dim) ^{6,9}		CS Interact Pro scalable wireless sensor with integral daylight & occupancy sensing, advanced grouping with dwell time ^{8,10} SB Interact Pro wireless sensor with occupancy, daylight, and environmental sensing capabilities		

DLC Note: Not all product variations listed on this page are DLC qualified. To ensure that a specific model is qualified, visit www.designlights.org/search

SilkSpace definition recessed

Imperial & metric sizes

Dimensions



Size	W	L	H
2'x2' (22)	23.75" [603mm]	23.66" [602mm]	4.375" [110mm]
20"x2' (52)	19.78" [502mm]	23.66" [602mm]	4.375" [110mm]
600x600mm (M2)	23.41" [595mm]	23.31" [592mm]	4.375" [110mm]
30"x30" (30)	Consult Factory		
750x750mm (M7)	Consult Factory		
2'x4' (24)	23.75" [603mm]	47.38" [1210mm]	4.375" [110mm]
20"x4' (54)	19.78" [502mm]	47.66" [1211mm]	4.375" [110mm]
600x1200mm (M4)	23.41" [595mm]	46.92" [1192mm]	4.375" [110mm]
1'x1' (11)	11.75" [298mm]	11.75" [298mm]	4.375" [110mm]
300x300mm (M1)	Consult Factory		
1'x2' (22)	11.75" [298mm]	23.66" [602mm]	4.375" [110mm]
300x600mm (M3)	Consult Factory		
1'x4' (14)	11.75" [298mm]	47.38" [1210mm]	4.375" [110mm]
300x1200mm (M5)	Consult Factory		

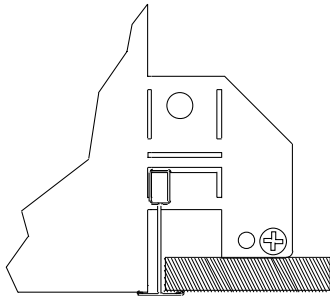
SilkSpace definition recessed

Imperial & metric sizes

Mounting details

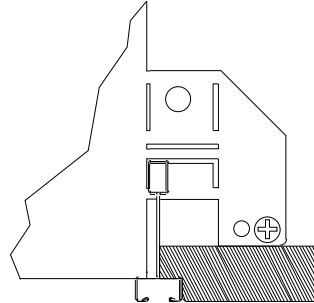
Flat T-Grid

Integrates with most common T-Grid types. Works with 9/16" & 15/16" flat T-Grid ceilings



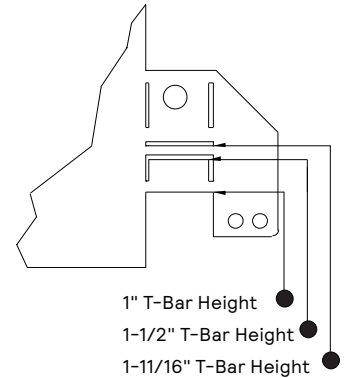
Slot T-Grid

Can be used with slot T-Grid ceilings. For 9/16" slot T-Grid ceilings, fixture will sit 5/16" above bottom of T-Bar.



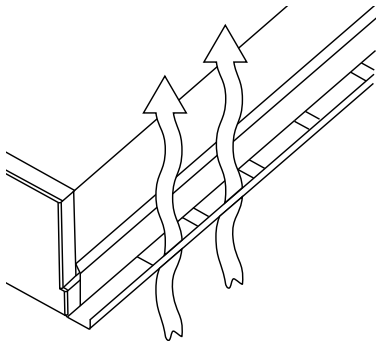
Ceiling Types

Integrated mounting tabs can be field-adjusted to various T-Grid ceiling heights for fastening directly to the T-Bar and/or tied off to the building structure.



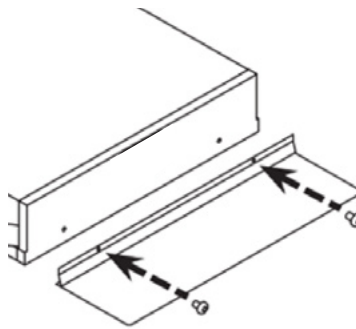
Air Return Vents

The air return version features slotted vents along the sides of the fixture. As a result, the installation method of the air return version may be different to the standard version, please consult the installation instruction sheet.



Filler Panel (20"x4' only)

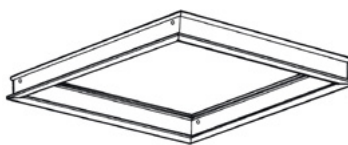
Attach filler panels to ends of housing using two supplied screws shown below.



Drywall Trim Kit

The drywall trim kit mounting frame assembly is designed to permit use of grid (NEMA G) fixtures in drywall or ceilings requiring flanges.

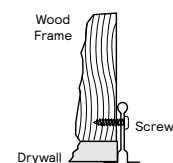
Extruded aluminum construction with mitered corners. Includes screws for complete assembly. Available in 2'x2', 2'x4' & 1'x4' sizes.



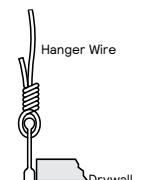
More information available at:

http://docs.ledalite.com/download/pdf/ID-Recessed_Drywall_Kits.pdf

Wood Frame Hanger Wire



Wood frame and screws supplied by others.



Hanger wires supplied by others.

SilkSpace definition recessed

Imperial & metric sizes

Specifications

Optical System

Optical system consists of highly reflective powder coated interior reflectors and three flat acrylic lenses.

Finish

Housing and Frame: Post-painted, high quality powder coat. Available in white.

Housing

Die-formed, post-painted, 22 & 24 gauge cold-rolled steel. Wire entrance is positioned on the side and/or top of housing to allow easy wiring access for installation. Access to boards and drivers from below via side lens cavity. T-bar clips built into the luminaire ends for quick and easy installation. Optional perforated or solid filler panels for 20"x48" fixtures to accommodate 60" ceiling grid.

Weight

Maximum 40lbs (2'x4' with Battery Pack).

Electrical

LED boards are easily field replaceable, if required. Fixtures are factory pre-wired and tested for all circuits and backup battery packs; all leads pulled to a side access with cover plate.

Standard Drivers

Advance Xitanium 0-10V, 1% Dimming

Advance Sensor Ready, 5% Dimming

Lutron EcoSystem LDE1, 1% Dimming with Soft-On and Fade-to-Black

Class 2 rated output.

Consult Ledalite for other available drivers.

Standard Battery Pack

Bodine, 90 min, 10W, Class 2 rated output, Emergency lumen output = 10W x luminaire efficacy x 1.1. Typical output: 1300lm.

Lumen Maintenance

LEDs have been tested by the manufacturer in accordance with IESNA LM-80-08. At an ambient temperature of 25°C, the LED lumen maintenance expectation according to IES TM-21-11 is: L80 (10k) >60,000 hrs (Reported methodology).

Source Color

LEDs rated for color rendering of:

CRI >90 & R9>50

Fixture to fixture color accuracy within 2 SDCM.

Mounting

Compatible with 15/16" lay-in acoustical ceilings using exposed grid suspension (NEMA type G). For 9/16" slot T-grid ceilings, fixture will sit 5/16" above bottom of Tee. Integrated tabs are provided for different T-grid heights. Optional drywall kit trim mount can be fastened to a wood frame or with hangar wire.

Wiring

Optional armored cable flex whips are supplied in 6' lengths.

Approvals

Certified to UL & CSA Standards. City of Chicago Approved CCEA (housing option C).

Certain product configurations are DesignLights Consortium qualified. Please see the DLC QPL list for exact catalog numbers under DLC Family Code RRRXLU

www.designlights.org/QPL

Select SilkSpace definition configurations contribute toward satisfying features L06, L07 and L08 under the WELL v2 Building Standard®.

Warranty

Five-year luminaire limited warranty including LED boards and driver.

www.signify.com/warranties

Environment

Type IC, rated for dry & damp locations in ambient operating temperatures of 25°C. Many luminaire components, such as reflectors, refractors, lenses, and LEDs are made from various types of plastics which can be adversely affected by airborne contaminants. If sulfur based chemicals, petroleum based products, cleaning solutions, or other contaminants are expected in the intended area of use, consult factory for compatibility. Damage caused by sulfur, chlorine, petroleum based solution or other contaminants are not covered under warranty.

QuickShip

10-day QuickShip available for most configurations upon request. More information available at:

www.signify.com/en-us/brands/ledalite/about-us/quickship

SilkSpace definition recessed

Imperial & metric sizes

Wireless Controls Options

Interact Pro scalable sensor for Foundation, Advanced & Enterprise tiers (CS an evolution of SpaceWise):

- CS is a connected sensor with integral occupancy and daylight sensing and supports wireless mesh connectivity.
- The sensor works in the Foundation mode (similar to SpaceWise) when configured without a gateway or in an Interact Pro Advanced or Enterprise mode if a compatible gateway is used.
- Interact Pro includes an App, a portal and a broad portfolio of wireless luminaires, lamps and retrofit kits all working on the same system.
- Startup is implemented via Interact Pro App (Android or iPhone) & Bluetooth connectivity. The App provides flexibility to choose between a gateway or non gateway mode for setup.
- Setup with the gateway requires wired internet access to the gateway. It is possible to add a gateway at a later point.
- Prepare project configuration steps remotely and use IRT9015 remote onsite to identify and group devices together.
- Compatible with SWS200 wireless scene switch, wireless Occ sensor (OCC SENSOR IA CM IP42 WH 10/1) and wireless Day/Occ sensor (OCC MULTI SENSOR IA CM WH 10/1).
- For more information on Interact Pro visit:
www.interact-lighting.com/interactproscalablesystem

Emergency Options (R):

- Power Sensing (Factory default) – Recommended
- UL924 option requires unswitched power sense line, absence of voltage on the normal circuit triggers luminaire to 100% output.
- Power Interruption Detection (Field option)
- Detects AC power interruption >30ms triggers 90 minute emergency mode with luminaire at 100% output.

Interact Pro scalable sensor bundles for Enterprise tier (SB):

- SB option, in addition to occupancy and daylight sensing, supports advanced IoT capabilities such as people estimation analysis, desk level temperature & humidity sensing, noise classification, and BLE beacon.
- Compatible with SWS200 wireless scene switch, wireless Occ sensor (OCC SENSOR IA CM IP42 WH 10/1) and wireless Day/Occ sensor (OCC MULTI SENSOR IA CM WH 10/1).
- Use Interact software and insights to increase building efficiency, achieve building wide integration and optimize space through occupancy analytics.
- Requires compatible Gateway and internet connectivity for commissioning. For more information, visit:
www.interact-lighting.com/office

Wired Controls Options

Interact Office Wired PoE (IO & SB):

- PoE based IoT connected lighting solution for large enterprises that span across multiple floors, buildings and require multiple gateways.
- Use Interact software and insights to increase building efficiency, achieve building wide integration and optimize space through occupancy analytics.
- Integral sensor option for occupancy sensing (PIR) and/or daylight harvesting available for additional energy savings.
- SB option, in addition to occupancy and daylight sensing, supports advanced IoT capabilities such as people estimation analysis, desk level temperature & humidity sensing, noise classification, and BLE beacon.
- Optional integral emergency controller and battery pack provides backup lighting in the case of a power outage. Test switch and indicator light mounted on the chassis.
- Emergency battery has a 3 month pre-installed shelf life, and must be stored and installed in environments of -20°C to 30°C (-4F to 86F) ambient, and 45-85% relative humidity.
- For more information on Interact Office Wired visit:
www.interact-lighting.com/office

Note: Signify Interact Office Luminaires are not sold individually and are only compatible with Signify's Interact Office control system & software. The system requires a compatible back-end IT infrastructure for normal operations, please consult your Signify representative for additional information.

Tunable White:

- Tunable White is available in Interact Office Wired PoE luminaires. Other control options for Tunable White with DALI (DT6 or DT8), 0-10V, Lutron T Series or DMX control are available via an Engineered-to-Order (ETO) request.
- Signify tunable white solutions are designed to help maximize the influence of lighting on your daily life.
- Dynamic behaviors via scheduled lighting recipes mimicking daylight patterns or supporting biorhythms.
- Scene setting via lighting pre-sets based on various combinations of lighting color temperature and intensity.

Interact Pro scalable sensor option codes across Genlyte product lines

	Evokit	Day-Brite	Ledalite	Lightolier
ZeeBee + Bluetooth + Sensing	SWZCS	SWZCS	CS	SBA accessory (external)
ZeeBee + Bluetooth	RADIO	RADIO	RA	RA
ZeeBee + Bluetooth + Sensing + Environmental data	IAOSB	IAOSB	SB	SB
ZeeBee + Highbay + Sensing	-	SWZCSH	-	-

SilkSpace definition recessed

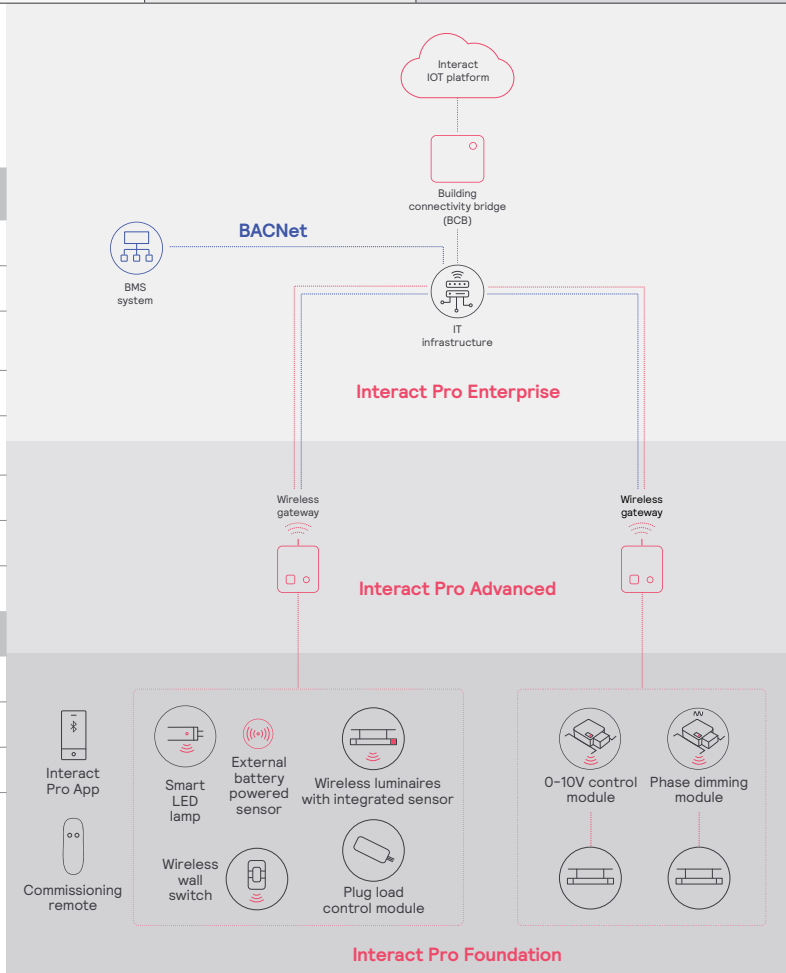
Imperial & metric sizes

Interact Pro scalable system			
	Foundation	Advanced	Enterprise
Dimming, grouping, and zoning	✓	✓	✓
Bluetooth and ZigBee enabled	✓	✓	✓
Motion sensing and daylight harvesting	✓	✓	✓
Integration with 0-10V and phase dimming fixtures	✓	✓	✓
Code compliance	✓	✓	✓
Granular dimming and dwell time	✓	✓	✓
Energy reporting and monitoring		✓	✓
Scheduling		✓	✓
Demand response		✓	✓
BMS integration (BACnet)			✓
Floor plan visualization			✓
IoT sensors for wellness			✓
IoT Apps for productivity			✓

Currently supported maximum system size

To be able to design the lighting system correctly for the customer, it is important to know the prime characteristics of the system, its possibilities and limitations.

System level	
Total number of gateways	Unlimited
Total number of devices	200 per network
• luminaires with integrated sensors	150
• smart TLEDS	150
Total number of ZGP devices (sensors and switches)	50
• sensors	30
• switches	50
• zones and groups	64
Group level	
Recommended number of lights	40 (recommended 25)
Number of ZGP devices	5
Number of scenes	16



SilkSpace definition recessed

Imperial & metric sizes

Colorimetry

SilkSpace Definition (42xx) AccuRender Static White

Nominal CRI & CCT		CRI 90, 2700K	CRI 90, 3000K	CRI 90, 3500K	CRI 90, 4000K	CRI 90, 5000K
CIE 013.3-1995 ¹	CRI R_a	94	93	93	93	93
	R_s	55	57	59	64	68
	G_s	99	99	99	99	99
	C_s	93	93	93	93	94
IES TM-30-18 ²	R_f	92	91	91	91	90
	R_{f,h_1}	90	90	90	91	89
	R_g	100	100	99	100	100
	R_{cs,h_1}	-6%	-5%	-6%	-5%	-5%
MDER ³		0.45	0.51	0.58	0.65	0.81

1. Color Rendering Index (CRI Ra) and Strong Red (R9) are calculated in accordance with CIE 013.3-1995. Color Gamut index (Ga) and red chroma Index (C9) are CIE based properties using the Global Lighting Association's calculation tool.

2. Fidelity Index (Rf), Red Fidelity Index (Rf,h1), Gamut Index (Rg), and Red Local Chroma Shift (Rcs,h1) are calculated in accordance with IES TM-30-18.-18.

3. Melanopic Daylight Efficacy Ratio (MDER) is the measure for "spectral melanopic efficiency" as defined in CIE S 026-2018.

SilkSpace definition recessed

Imperial & metric sizes

Photometry

2'x2' (22)

Click "PDF" or "IES" text to download

Nominal CRI & CCT		CRI 90, 2700K					CRI 90, 3000K					CRI 90, 3500K					CRI 90, 4000K					CRI 90, 5000K				
Nominal Lumen Package	Watts	Flux	Efficacy (LPW)	UGR*	Photometry Report	IES File	Flux	Efficacy (LPW)	UGR*	Photometry Report	IES File	Flux	Efficacy (LPW)	UGR*	Photometry Report	IES File	Flux	Efficacy (LPW)	UGR*	Photometry Report	IES File	Flux	Efficacy (LPW)	UGR*	Photometry Report	IES File
5000	43.4	4,617	106.4	20.4	PDF	IES	4,749	109.4	20.5	PDF	IES	4,995	115.1	20.7	PDF	IES	4,981	114.8	20.7	PDF	IES	5,107	117.7	20.8	PDF	IES
4500	39.1	4,164	106.5	20.1	PDF	IES	4,284	109.6	20.2	PDF	IES	4,501	115.1	20.3	PDF	IES	4,493	114.9	20.3	PDF	IES	4,605	117.8	20.4	PDF	IES
4000	34.0	3,698	108.8	19.6	PDF	IES	3,806	111.9	19.7	PDF	IES	3,994	117.5	19.9	PDF	IES	3,992	117.4	19.9	PDF	IES	4,090	120.3	20.0	PDF	IES
3500	29.5	3,240	109.8	19.2	PDF	IES	3,335	113.1	19.3	PDF	IES	3,498	118.6	19.5	PDF	IES	3,499	118.6	19.5	PDF	IES	3,584	121.5	19.5	PDF	IES
3000	25.2	2,771	110.0	18.6	PDF	IES	2,854	113.3	18.7	PDF	IES	2,991	118.7	18.9	PDF	IES	2,994	118.8	18.9	PDF	IES	3,065	121.6	19.0	PDF	IES
2500	20.2	2,313	114.5	18.0	PDF	IES	2,383	118.0	18.1	PDF	IES	2,496	123.6	18.3	PDF	IES	2,499	123.7	18.3	PDF	IES	2,557	126.6	18.4	PDF	IES

* UGR given at 3500K, based on 4Hx8Hx0.25H. UGR can be calculated at other CCTs by importing the ies file into lighting design software.

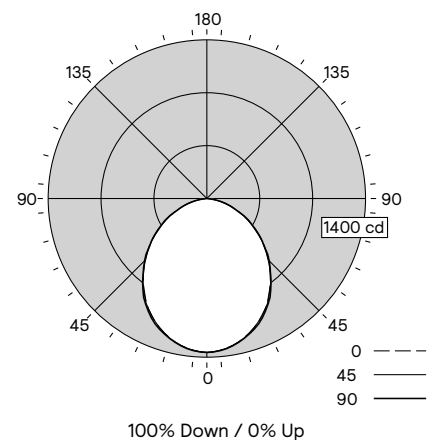
CANDELA DISTRIBUTION						Flux
	0	22.5	45	67.5	90	Lumens
0	1358	1358	1358	1358	1358	
5	1344	1350	1346	1350	1347	128
15	1271	1281	1274	1284	1277	360
25	1145	1157	1145	1162	1160	531
35	968	985	972	997	983	614
45	768	787	765	795	778	602
55	563	578	556	587	566	510
65	360	371	357	373	360	361
75	171	183	168	182	174	188
85	30	36	29	33	29	42
90	0	0	0	0	0	0
95	0	0	0	0	0	0
105	0	0	0	0	0	0
115	0	0	0	0	0	0
125	0	0	0	0	0	0
135	0	0	0	0	0	0
145	0	0	0	0	0	0
155	0	0	0	0	0	0
165	0	0	0	0	0	0
175	0	0	0	0	0	0
180	0	0	0	0	0	0

COEFFICIENTS OF UTILIZATION (%)													
Pc---	80				70				50				0
Pw---	70	50	30	10	70	50	30	50	30	10	0	0	
ROR	0	119	119	119	119	116	116	116	111	111	111	100	
	1	109	105	101	97	107	103	99	98	95	93	85	
	2	100	92	86	80	97	90	84	87	82	77	72	
	3	91	81	74	67	89	80	73	77	71	65	61	
	4	84	72	64	57	82	71	63	69	62	56	53	
	5	77	66	56	50	75	64	56	62	55	49	46	
	6	72	59	50	44	70	58	50	56	49	43	40	
	7	67	53	45	39	65	53	44	51	44	38	36	
	8	62	49	40	35	60	48	40	47	40	34	32	
	9	58	45	37	31	57	44	37	43	36	31	29	
	10	54	41	34	29	53	41	34	40	33	28	26	

* Based on a floor reflectance of 0.2

ZONAL LUMEN SUMMARY			
Zone	Lumens	%Fixture	%Lamp
0-30	1019	30.6%	30.6%
0-40	1633	49.0%	49.0%
0-60	2744	82.3%	82.3%
0-90	3335	100.0%	100.0%
90-130	0	0.0%	0.0%
90-150	0	0.0%	0.0%
90-180	0	0.0%	0.0%
0-180	3335	100.0%	100.0%

AVG LUMINANCE (cd/m ²)			
	0	45	90
0	4028	4028	4028
5	4000	4005	4009
15	3901	3910	3919
25	3746	3745	3796
35	3504	3519	3558
45	3220	3207	3263
55	2908	2874	2924
65	2526	2501	2528
75	1958	1928	1996
85	1027	980	993



*Photometric data shown is for 3000lm, 3500K, 90 CRI configuration.

SilkSpace definition recessed

Imperial & metric sizes

Photometry

2'x4' (24)

Click "PDF" or "IES" text to download

Nominal CRI & CCT		CRI 90, 2700K					CRI 90, 3000K					CRI 90, 3500K					CRI 90, 4000K					CRI 90, 5000K				
Nominal Lumen Package	Watts	Flux	Efficacy (LPW)	UGR*	Photometry Report	IES File	Flux	Efficacy (LPW)	UGR*	Photometry Report	IES File	Flux	Efficacy (LPW)	UGR*	Photometry Report	IES File	Flux	Efficacy (LPW)	UGR*	Photometry Report	IES File	Flux	Efficacy (LPW)	UGR*	Photometry Report	IES File
8000	60.4	7,407	122.6	19.8	PDF	IES	7,628	126.3	19.9	PDF	IES	8,002	132.5	20.0	PDF	IES	7,994	132.4	20.0	PDF	IES	8,191	135.6	20.1	PDF	IES
7500	56.1	6,947	123.8	19.5	PDF	IES	7,156	127.6	19.6	PDF	IES	7,505	133.8	19.8	PDF	IES	7,497	133.6	19.8	PDF	IES	7,682	136.9	19.9	PDF	IES
7000	52.1	6,483	124.4	19.3	PDF	IES	6,679	128.2	19.4	PDF	IES	7,003	134.4	19.6	PDF	IES	6,996	134.3	19.6	PDF	IES	7,168	137.6	19.6	PDF	IES
6500	47.9	6,014	125.6	19.0	PDF	IES	6,197	129.4	19.1	PDF	IES	6,496	135.6	19.3	PDF	IES	6,491	135.5	19.3	PDF	IES	6,649	138.8	19.4	PDF	IES
6000	44.0	5,562	126.4	18.8	PDF	IES	5,732	130.3	18.9	PDF	IES	6,007	136.5	19.0	PDF	IES	6,005	136.5	19.0	PDF	IES	6,149	139.8	19.1	PDF	IES
5500	39.9	5,085	127.4	18.5	PDF	IES	5,240	131.3	18.6	PDF	IES	5,490	137.6	18.7	PDF	IES	5,491	137.6	18.7	PDF	IES	5,620	140.9	18.8	PDF	IES
5000	36.6	4,625	126.4	18.1	PDF	IES	4,766	130.2	18.2	PDF	IES	4,993	136.4	18.4	PDF	IES	4,996	136.5	18.4	PDF	IES	5,111	139.6	18.5	PDF	IES
4500	32.7	4,162	127.3	17.8	PDF	IES	4,288	131.1	17.9	PDF	IES	4,492	137.4	18.0	PDF	IES	4,497	137.5	18.0	PDF	IES	4,598	140.6	18.1	PDF	IES
4000	29.2	3,717	127.3	17.4	PDF	IES	3,829	131.1	17.5	PDF	IES	4,010	137.3	17.6	PDF	IES	4,017	137.6	17.6	PDF	IES	4,106	140.6	17.7	PDF	IES

* UGR given at 3500K, based on 4Hx8Hx0.25H. UGR can be calculated at other CCTs by importing the ies file into lighting design software.

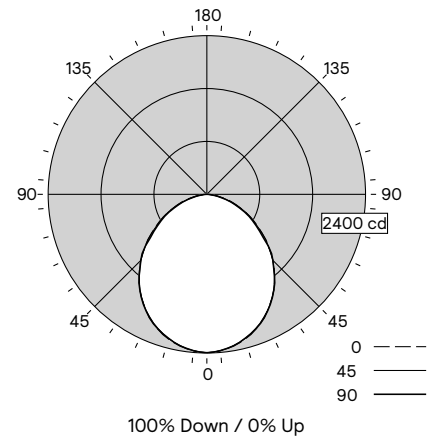
CANDELA DISTRIBUTION						Flux
	0	22.5	45	67.5	90	Lumens
0	2395	2395	2395	2395	2395	
5	2375	2382	2373	2374	2372	225
15	2263	2272	2255	2261	2252	638
25	2060	2071	2046	2069	2057	949
35	1770	1774	1763	1781	1767	1108
45	1418	1434	1411	1442	1412	1096
55	1020	1048	1020	1046	978	921
65	653	685	653	660	631	652
75	341	344	306	313	293	340
85	68	75	54	57	44	77
90	0	0	0	0	0	0
95	0	0	0	0	0	0
105	0	0	0	0	0	0
115	0	0	0	0	0	0
125	0	0	0	0	0	0
135	0	0	0	0	0	0
145	0	0	0	0	0	0
155	0	0	0	0	0	0
165	0	0	0	0	0	0
175	0	0	0	0	0	0
180	0	0	0	0	0	0

COEFFICIENTS OF UTILIZATION (%)													
Pc---	80				70				50				0
Pw---	70	50	30	10	70	50	30	50	30	10	0	0	
RCR													
0	119	119	119	119	116	116	116	111	111	111	100		
1	109	105	101	97	107	103	99	98	95	93	85		
2	100	92	85	80	97	90	84	87	82	77	72		
3	91	81	73	67	89	80	72	77	70	65	61		
4	84	72	64	57	82	71	63	68	62	56	52		
5	77	65	56	50	75	64	55	62	54	49	46		
6	72	59	50	44	70	58	49	56	48	43	40		
7	66	53	45	39	65	52	44	51	44	38	36		
8	62	49	40	35	60	48	40	47	39	34	32		
9	58	45	37	31	56	44	36	43	36	31	29		
10	54	41	34	28	53	41	33	40	33	28	26		

* Based on a floor reflectance of 0.2

ZONAL LUMEN SUMMARY			
Zone	Lumens	%Fixture	%Lamp
0-30	1812	30.2%	30.2%
0-40	2920	48.6%	48.6%
0-60	4938	82.2%	82.2%
0-90	6007	100.0%	100.0%
90-130	0	0.0%	0.0%
90-150	0	0.0%	0.0%
90-180	0	0.0%	0.0%
0-180	6007	100.0%	100.0%

AVG LUMINANCE (cd/m ²)			
	0	45	90
0	3460	3460	3460
5	3443	3441	3439
15	3384	3372	3367
25	3283	3261	3278
35	3121	3110	3116
45	2896	2882	2885
55	2569	2569	2462
65	2231	2231	2157
75	1900	1708	1632
85	1129	900	736



*Photometric data shown is for 6000lm, 3500K, 90 CRI configuration.

SilkSpace definition recessed

Imperial & metric sizes

Photometry

1'x4' (14)

Click "PDF" or "IES" text to download

Nominal CRI & CCT		CRI 90, 2700K					CRI 90, 3000K					CRI 90, 3500K					CRI 90, 4000K					CRI 90, 5000K				
Nominal Lumen Package (lm/4ft)	Watts	Flux	Efficacy (LPW)	UGR*	Photometry Report	IES File	Flux	Efficacy (LPW)	UGR*	Photometry Report	IES File	Flux	Efficacy (LPW)	UGR*	Photometry Report	IES File	Flux	Efficacy (LPW)	UGR*	Photometry Report	IES File	Flux	Efficacy (LPW)	UGR*	Photometry Report	IES File
5000	41.8	4,590	109.8	20.7	PDF	IES	4,721	112.9	20.8	PDF	IES	4,962	118.7	21.0	PDF	IES	4,949	118.4	21.0	PDF	IES	5,072	121.3	21.0	PDF	IES
4500	37.7	4,144	109.9	20.3	PDF	IES	4,263	113.1	20.4	PDF	IES	4,477	118.8	20.6	PDF	IES	4,470	118.6	20.6	PDF	IES	4,579	121.5	20.7	PDF	IES
4000	32.9	3,686	112.0	19.9	PDF	IES	3,792	115.3	20.0	PDF	IES	3,979	120.9	20.2	PDF	IES	3,977	120.9	20.2	PDF	IES	4,073	123.8	20.3	PDF	IES
3500	28.6	3,236	113.1	19.5	PDF	IES	3,330	116.4	19.6	PDF	IES	3,491	122.1	19.7	PDF	IES	3,492	122.1	19.7	PDF	IES	3,576	125.0	19.8	PDF	IES
3000	24.5	2,774	113.2	18.9	PDF	IES	2,856	116.6	19.0	PDF	IES	2,993	122.2	19.2	PDF	IES	2,995	122.2	19.2	PDF	IES	3,066	125.1	19.3	PDF	IES
2500	19.7	2,324	118.0	18.3	PDF	IES	2,393	121.5	18.4	PDF	IES	2,507	127.3	18.6	PDF	IES	2,509	127.4	18.6	PDF	IES	2,566	130.3	18.7	PDF	IES

* UGR given at 3500K, based on 4Hx8Hx0.25H. UGR can be calculated at other CCTs by importing the ies file into lighting design software.

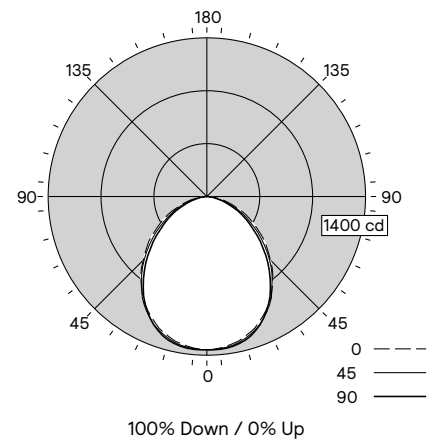
CANDELA DISTRIBUTION						Flux
	0	22.5	45	67.5	90	Lumens
0	1353	1353	1353	1353	1353	
5	1342	1347	1348	1353	1353	128
15	1282	1294	1298	1315	1312	367
25	1167	1186	1184	1201	1184	546
35	1002	1023	999	1006	978	629
45	794	824	779	773	736	606
55	583	593	545	536	493	495
65	381	376	337	331	305	344
75	189	182	151	149	134	173
85	40	44	29	37	30	42
90	0	0	0	0	0	
95	0	0	0	0	0	
105	0	0	0	0	0	
115	0	0	0	0	0	
125	0	0	0	0	0	
135	0	0	0	0	0	
145	0	0	0	0	0	
155	0	0	0	0	0	
165	0	0	0	0	0	
175	0	0	0	0	0	
180	0	0	0	0	0	

COEFFICIENTS OF UTILIZATION (%)													
Pc---	80				70				50				0
Pw---	70	50	30	10	70	50	30	50	30	10	0	0	
ROR													
0	119	119	119	119	116	116	116	111	111	111	100		
1	110	105	101	98	107	103	99	99	96	93	85		
2	100	92	86	81	98	91	85	87	82	78	72		
3	92	82	74	68	89	80	73	77	71	66	62		
4	84	73	65	58	82	72	64	69	62	57	53		
5	78	65	57	50	76	64	56	62	55	50	47		
6	72	59	51	44	70	58	50	56	49	44	41		
7	67	54	45	39	65	53	45	52	44	39	37		
8	62	49	41	35	61	49	41	47	40	35	33		
9	58	45	37	32	57	45	37	44	37	32	30		
10	55	42	34	29	54	41	34	40	34	29	27		

* Based on a floor reflectance of 0.2

ZONAL LUMEN SUMMARY			
Zone	Lumens	%Fixture	%Lamp
0-30	1041	31.3%	31.3%
0-40	1670	50.1%	50.1%
0-60	2771	83.2%	83.2%
0-90	3330	100.0%	100.0%
90-130	0	0.0%	0.0%
90-150	0	0.0%	0.0%
90-180	0	0.0%	0.0%
0-180	3330	100.0%	100.0%

AVG LUMINANCE (cd/m ²)			
	0	45	90
0	4101	4101	4101
5	4083	4101	4117
15	4024	4074	4117
25	3903	3962	3960
35	3707	3697	3620
45	3404	3340	3156
55	3080	2883	2608
65	2733	2418	2189
75	2212	1768	1567
85	1385	1023	1040



*Photometric data shown is for 4000lm, 3500K, 90 CRI configuration.

SilkSpace definition recessed

Imperial & metric sizes

Footnotes from page 1 ordering guide

1. Nominal values within a range. Not all lumen packages are available with all configurations. Consult photometry data for CRI, color temp, lumens & distribution of chosen configuration.
2. Not all wiring types are available with all configurations. Consult Ledalite for a complete list of available options.
3. Flex whips are installed, drywall trim kits ship separately.
4. Filler Panels available for 20"x4' size to accommodate a 20"x60" grid system.
5. Air Return version is not available in 1'x, 300mmx or 20"x sizes. Note for 20"x4' size, Air Return Filler Panels are available.
6. 347V not available with Battery Pack, DALI, Lutron EcoSystem or Sensor Ready drivers or Interact Pro options.
7. 1'x1' & 300x300mm sizes not available with Battery Pack, DALI, Lutron EcoSystem or Sensor Ready drivers or Interact Pro options.
8. Interact options require separate controls hardware by Signify.
9. This option is qualified as Engineered-to-Order (ETO) ready. Other options not shown here may be possible via an ETO request. Lead times and minimum order quantities may vary, please consult factory.
10. Must order IRT9015 Interact commissioning remote with each system order.
11. UL924 listed sensor bypass relay is factory installed between driver & sensor. Must be ordered in same module as integral sensing option. Must be installed in conjunction with a UL1008 device.

Note: Due to continuing product improvements, Ledalite reserves the right to change the specifications without notice.

