

1.75" aperture



TruGroove wall micro (lens) drives performance beyond the edge. Innovative optics deliver exceptional uniformity from a 1.75" aperture continuous line of light. Unique Quad Optic louver cells offer a wide range of options from graze to stack to asymmetric exceeding the demands of the most challenging spaces.

TruGroove wall micro includes AccuRender technology for the highest color quality at the highest efficacy

Project: _____
 Location: _____
 Cat.No: _____
 Type: _____
 Line ID: _____ Qty: _____
 Notes: _____

Ordering guide ¹²

example: TM25L940WGPC230W5008D51NRAW, WA-48

Family	Version	Distribution	Source	CRI/CCT ^{1,5,8,16}		
TM TruGroove micro	2 wall	1 Direct 3 Indirect 5 Indirect / Direct 6 Direct / Indirect	L LED	950 CRI 90, 5000K 930 CRI 90, 3000K	940 CRI 90, 4000K 927 CRI 90, 2700K	935 CRI 90, 3500K 9T2 CRI 90, 2700-6500K 2ch Tunable White (please confirm controls)
Optics (Direct)				Lumens (Direct) ^{1,16}	Optics (Indirect)	Lumens (Indirect) ^{1,16} Run Length ⁷
Lens ^{9,16}				Lens		
N No Lens (specify Direct Louver and/or Indirect Optic)	Quad Optic			NN None	N None	NN None
W Performance Asymmetric Flush MesoOptics	N No Louver (specify Direct Lens and/or Indirect Optic)			40 4000 lm/4ft	Q Performance Symmetric	60 6000 lm/4ft
B Definition Symmetric Flush Black	G Performance 17° Graze Beam w/MesoOptics			35 3500 lm/4ft	W Performance Asymmetric	50 5000 lm/4ft
L Definition Symmetric Flush Silk	W Performance 20° Asymmetric w/MesoOptics			30 3000 lm/4ft		40 4000 lm/4ft
D Definition Symmetric Drop Silk	Color	Length	Position	25 2500 lm/4ft		30 3000 lm/4ft
	N None	N None	N None	20 2000 lm/4ft		20 2000 lm/4ft
	B Black	C 6in (3 Cells)	L Left End	15 1500 lm/4ft		10 1000 lm/4ft
	W White	1 1ft (6 Cells)	R Right End	10 1000 lm/4ft		
	P Platinum		2 Both Ends	07 700lm/4ft		
	G Gold	F Full Length	F Full Length			
	C Copper					
Note: To specify a Lens/louver combination please select both Lens and Louver options.						
						XX Continuous run in 6in increments (please specify length)
						Wall Patterns: Please enquire
Voltage ³	Driver ^{3,5}	Circuit ^{2,10,11}	Wiring Option ^{2,5,6,10,13}	System/Controls ^{4,9,14}		
D UNV 120-277V	E Advance Xitanium 0-10V (1% Dim)	1 Single Circuit	N None	NN None		
3 347V		V Single Circuit + 1 Thru Wire (BP Trigger)	B Battery Pack			
D UNV 120-277V	D Advance Xitanium DALI (5% Dim)	F Single Circuit + 4 Thru Wires (Mains & Dimming)	E Auxiliary Wiring			
	H Lutron EcoSystem LDE1 (<1% Dim, Fade-to-Black)	G Dual Circuit (Up/Down)	G GTD (Please specify voltage)			
D UNV 120-277V	S Advance Xitanium SR (1% Dim)	W Dual Circuit (Up/Down) + 1 Thru Wire (BP Trigger)		RA Interact Pro RF sensor, enables wireless connected lighting control		
D UNV 120-277V	F Advance FlexTune Sensor Ready (1% Dim)	1 Single Circuit	N None	NN None		
	2 0-10V 2ch (1% Dim)	V Single Circuit + 1 Thru Wire (BP Trigger)	B Battery Pack	RA Interact Pro RF sensor, enables wireless connected lighting control		
	6 DALI-2 DT6 2ch (1% Dim)		R UL924 Sensor Bypass Relay			
	8 DALI-2 DT8 2ch (1% Dim)		N None	NN None		
L Low Voltage (48-54V DC)	P PoE Lighting Controller	1 Single Circuit	B Battery Pack	NN None		
Finish	Mount Type					
W Standard White	WA Wall Mounted					
T Titanium Silver						
B Black						
G Graphite Grey						
C Custom (please specify color)						

DLC Note: Not all product variations listed on this page are DLC qualified. To ensure that a specific model is qualified, visit www.designlights.org/search

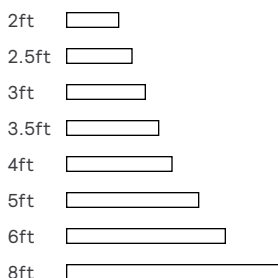


TruGroove wall micro (lens)

Options and dimensions

Standalone

Keep it simple with standalone modules, available in 8 standard lengths (consult Ledalite for custom lengths).



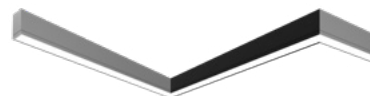
Continuous Run

Create an uninterrupted ribbon of light with continuous runs, specifiable to 6 in.



Patterns

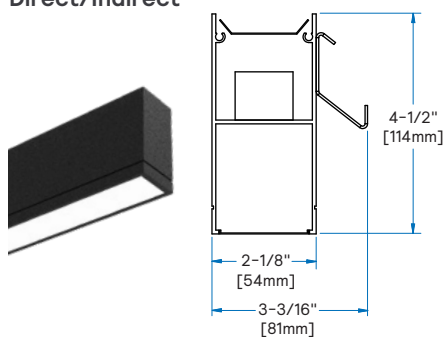
Contact Ledalite for wall mounted corners, custom angles and intersections (extended lead times may apply).



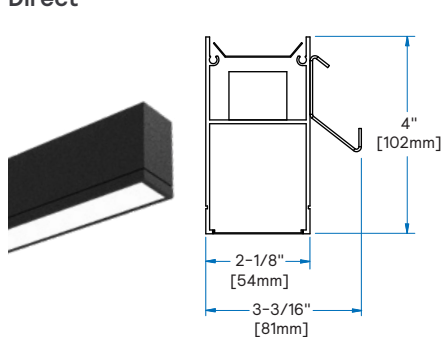
Flush lens

TruGroove wall micro with 1.75" wide Flush MesoOptics or Silk lens.

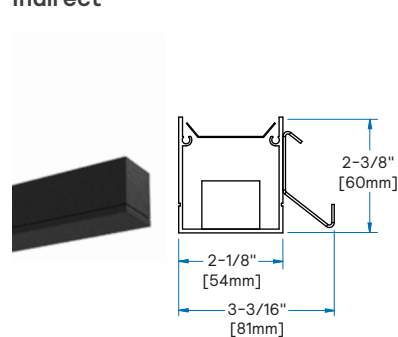
Direct/Indirect



Direct



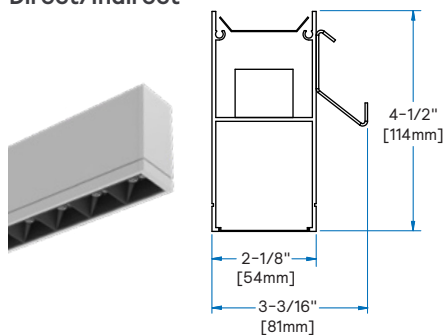
Indirect



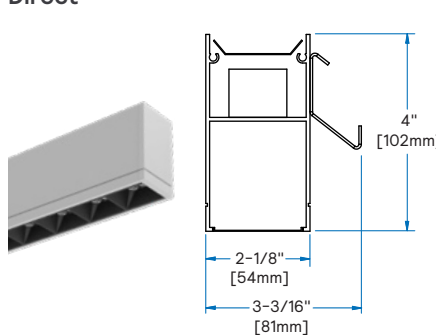
Louver (Coming soon)

TruGroove wall micro with Ledalite's unique quad optic louver cells with MesoOptics in 6 distributions.

Direct/Indirect



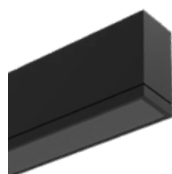
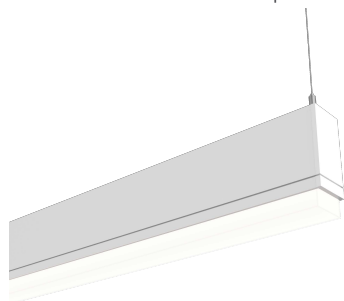
Direct



Louvers can be ordered at the full fixture length or in 6 in. or 1 ft sections at one or both ends of a fixture in combination with a lens.

Drop lens and black lens (Coming soon)

TruGroove wall micro with drop lens and black lens options.

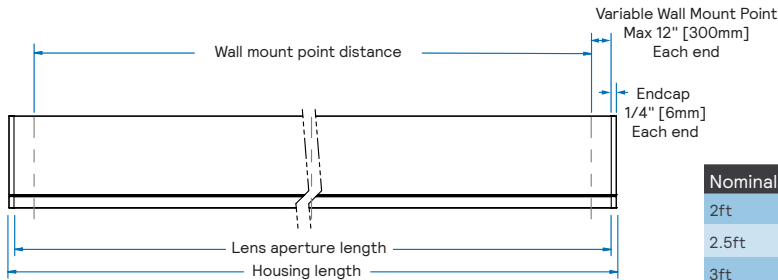


TruGroove wall micro (lens)

Options and dimensions

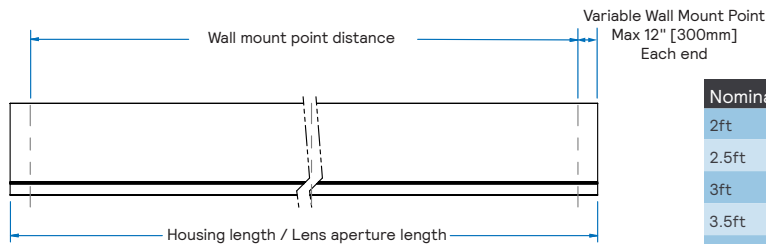
Side Views

Standalone



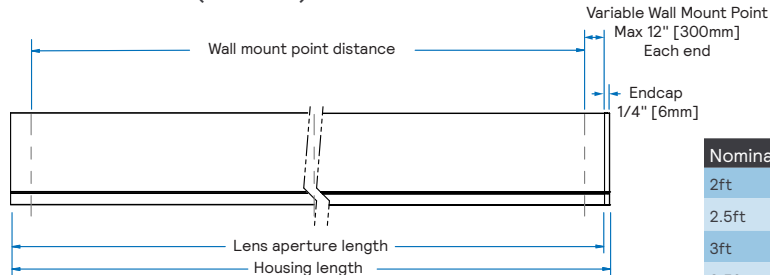
Nominal	Housing	Lens Aperture	Wall Mount Point Distance
2ft	24.5" [622mm]	24.0" [610mm]	Min 2, within 12" of extruded housing ends
2.5ft	30.5" [775mm]	30.0" [762mm]	Min 2, within 12" of extruded housing ends
3ft	36.5" [927mm]	36.0" [914mm]	Min 2, within 12" of extruded housing ends
3.5ft	42.5" [1080mm]	42.0" [1067mm]	Min 2, within 12" of extruded housing ends
4ft	48.5" [1232mm]	48.0" [1219mm]	Min 2, within 12" of extruded housing ends
5ft	60.5" [1537mm]	60.0" [1524mm]	Min 3, within 12" of ends of extruded housing and one centrally located within 12" of center point.
6ft	72.5" [1842mm]	72.0" [1829mm]	Min 3, within 12" of ends of extruded housing and one centrally located within 12" of center point.
8ft	69.5" [2451mm]	96.0" [2438mm]	Min 3, within 12" of ends of extruded housing and one centrally located within 12" of center point.

Continuous Run (Mid-run)



Nominal	Housing	Lens Aperture	Wall Mount Point Distance
2ft	24.0" [610mm]	24.0" [610mm]	Min 2, within 12" of extruded housing ends
2.5ft	30.0" [762mm]	30.0" [762mm]	Min 2, within 12" of extruded housing ends
3ft	36.0" [914mm]	36.0" [914mm]	Min 2, within 12" of extruded housing ends
3.5ft	42.0" [1067mm]	42.0" [1067mm]	Min 2, within 12" of extruded housing ends
4ft	48.0" [1219mm]	48.0" [1219mm]	Min 2, within 12" of extruded housing ends
5ft	60.0" [1524mm]	60.0" [1524mm]	Min 3, within 12" of ends of extruded housing and one centrally located within 12" of center point.
6ft	72.0" [1829mm]	72.0" [1829mm]	Min 3, within 12" of ends of extruded housing and one centrally located within 12" of center point.
8ft	96.0" [2438mm]	96.0" [2438mm]	Min 3, within 12" of ends of extruded housing and one centrally located within 12" of center point.

Continuous Run (End-run)



Nominal	Housing	Lens Aperture	Wall Mount Point Distance
2ft	24.25" [616mm]	24.0" [610mm]	Min 2, within 12" of extruded housing ends
2.5ft	30.25" [768mm]	30.0" [762mm]	Min 2, within 12" of extruded housing ends
3ft	36.25" [921mm]	36.0" [914mm]	Min 2, within 12" of extruded housing ends
3.5ft	42.25" [1073mm]	42.0" [1067mm]	Min 2, within 12" of extruded housing ends
4ft	48.25" [1226mm]	48.0" [1219mm]	Min 2, within 12" of extruded housing ends
5ft	60.25" [1530mm]	60.0" [1524mm]	Min 3, within 12" of ends of extruded housing and one centrally located within 12" of center point.
6ft	72.25" [1842mm]	72.0" [1829mm]	Min 3, within 12" of ends of extruded housing and one centrally located within 12" of center point.
8ft	96.25" [2445mm]	96.0" [2438mm]	Min 3, within 12" of ends of extruded housing and one centrally located within 12" of center point.

TruGroove wall micro (lens)

Specifications

Optical System

Direct hemisphere: Light emitted from a linear array of downward-facing LEDs is laterally redirected using optical microstructures embedded in a layer of MesoOptics DX film to generate an optimal asymmetric distribution and a uniform continuum of light. The available Flush Silk lens is a value-oriented option that provides a lambertian distribution while maintaining a uniform continuum of light.

Additionally, Ledalite's unique Quad Optic Louver Cell provides tailored optical distributions with reduced glare.

Indirect hemisphere: White light emitted from a linear array of upward-facing LEDs is shaped into a homogeneous, wide-throw low peak angle asymmetric distribution using an engineered light guide panel.

Housing

Post painted precision aluminum extrusion.

Endcaps

Diecast flat aluminum endcaps with integral groove to match housing.

Finish

High quality powder coated, available in standard Matte White, Black, Titanium Silver or Graphite Grey. TruGroove can also be specified in any custom color upon request for a one-time setup charge. Optional sensors (such as Interact Pro) available in white only.

Mounting

Wall: A hidden steel rail and bracket system attaches to the existing structure and supports housings close to the wall. Mount positioning is fully variable along the modules to accommodate site conditions, spaced up to 4-1/2' on center and within 12" of an end or joint.

Joints

Self-aligning joining system with hands-free pre-joining wire access.

Weight

Maximum 3.8/ft (wall)

Electrical

Fixtures are factory pre-wired to section ends with quick-wire connectors and tested for all circuits and backup battery packs. LED boards and drivers are easily field replaceable with access from below the ceiling.

Standard Drivers

Advance Xitanium 0-10V, 1% Dimming.
Advance Xitanium DALI, 5% Dimming.
Advance Xitanium Sensor Ready, 1% Dimming.
PoE Lighting Controller (for PoE tunable white).
Lutron EcoSystem LDE1, 1% Dimming with Soft-On and Fade-to-Black.
Class 2 rated output. Consult Ledalite for other available drivers.

Standard Battery Packs

Bodine Battery Pack, 90 min, 10W, Class 2 rated output.
Lumen output = 10W x luminaire efficacy x 1.1. Typical output ~1200lm.
PoE Battery Pack, 90 min, 6W, Class 2 rated output.
Lumen output = 6W x luminaire efficacy. Typical output ~650lm.

Lumen Maintenance

LEDs have been tested by the manufacturer in accordance with IESNA LM-80-15. At an ambient temperature of 25°C, the LED lumen maintenance expectation according to IES TM-21-11 is:
 $L_{80} (10k) > 60,000$ hours (Reported methodology).

Source Color

LEDs rated for color rendering of:
 $CRI R_g \geq 90, R_b \geq 50, G_g \geq 97, C_g \geq 90$
IES TM-30-18: $R_f \geq 90, R_{f,hl} \geq 89, R_g \geq 99, R_{cs,hl} \geq -5\%$
SPD and TM-30-18 reports available upon request
Fixture to fixture color accuracy within:
2 SDCM for Static White luminaires
3 SDCM for Tunable White luminaires

Approvals

Certified to UL, IES & CSA Standards.

Certain versions without battery packs are DesignLights Consortium qualifies. Please see the DLC QPL list for exact catalog numbers.
www.designlights.org/QPL

Select TruGroove micro configurations contribute toward satisfying features L03, L04, L06, L07 and L08 under the WELL v2 Building Standard®.

Environment

Rated for dry or damp locations in operating ambient temperatures of 0-25°C (32-77°F).

Many luminaire components, such as reflectors, refractors, lenses, and LEDs are made from various types of plastics which can be adversely affected by airborne contaminants. If sulfur-based chemicals, petroleum-based products, cleaning solutions, or other contaminants are expected in the intended area of use, consult factory for compatibility. Damage caused by sulfur, chlorine, petroleum-based solution or other contaminants are not covered under warranty. Not suitable for natatorium environments.

Warranty

Five-year luminaire limited warranty including LED boards and driver:
www.signify.com/warranties

QuickShip

10-day QuickShip available for most configurations upon request. More information available at:
www.signify.com/en-us/brands/ledalite/quickship

TruGroove wall micro (lens)

Wireless Controls Options

Radio only sensor (RA):

- Integral RADIO only sensor simply enables wireless mesh connectivity to the luminaire without any occupancy or daylight sensing.
- Ideal for applications where sensing functionality is managed by other Interact devices and the luminaire only needs to have wireless connectivity.
- Interact Pro includes an App, a portal and a broad portfolio of wireless luminaires, lamps and retrofit kits all working on the same system.
- Startup is implemented via Interact Pro App (Android or iPhone) & Bluetooth connectivity. The App provides flexibility to choose between a gateway or non-gateway mode for setup.
- Setup with the gateway requires wired internet access to the gateway. It is possible to add a gateway at a later point.
- Prepare project configuration steps remotely, identify and group devices together onsite.
- Compatible with UID8451/10 wireless dimmer switch, SWS200 wireless scene switch, wireless Occ sensor (OCC SENSOR IA CM IP42 WH 10/1) and wireless Day/Occ sensor (OCC MULTI SENSOR IA CM WH 10/1).
- For more information on Interact Pro visit:
www.interact-lighting.com/interactproscalablesystem

Emergency Options (R):

- Power Sensing (Factory default) – Recommended
- UL924 option requires unswitched power sense line, absence of voltage on the normal circuit triggers luminaire to 100% output.
- Power Interruption Detection (Field option)
- Detects AC power interruption >30ms triggers 90 minute emergency mode with luminaire at 100% output.

Wired Controls Options

Interact Office Wired PoE (IO & SB):

- PoE based IoT connected lighting solution for large enterprises that span across multiple floors, buildings and require multiple gateways.
- Use Interact software and insights to increase building efficiency, achieve building wide integration and optimize space through occupancy analytics.
- Optional integral emergency controller and battery pack provides backup lighting in the case of a power outage. Test switch and indicator light mounted on the chassis.
- Emergency battery has a 3 month pre-installed shelf life and must be stored and installed in environments of -20°C to 30°C (-4°F to 86°F) ambient, and 45-85% relative humidity.
- For more information on Interact Office Wired visit:
www.interact-lighting.com/office

Note: Signify Interact Office Luminaires are not sold individually and are only compatible with Signify's Interact Office control system & software. The system requires a compatible back-end IT infrastructure for normal operations, please consult your Signify representative for additional information.

Tunable White:

- Tunable White is available in Interact Office Wired PoE luminaires. Other control options for Tunable White with DALI (DT6 or DT8), 0-10V, Lutron T Series or DMX control are available via an Engineered-to-Order (ETO) request.
- Signify tunable white solutions are designed to help maximize the influence of lighting on your daily life.
- Dynamic behaviors via scheduled lighting recipes mimicking daylight patterns or supporting biorhythms.
- Scene setting via lighting pre-sets based on various combinations of lighting color temperature and intensity.

Interact Pro scalable sensor option codes across Genlyte product lines

	Evokit	Day-Brite	Ledalite	Lightolier
ZeeBee + Bluetooth + Sensing	SWZCS	SWZCS	CS	SBA accessory (external)
ZeeBee + Bluetooth	RADIO	RADIO	RA	RA
ZeeBee + Bluetooth + Sensing + Environmental data	IAOSB	IAOSB	SB	SB
ZeeBee + Highbay + Sensing	-	SWZCSH	-	-

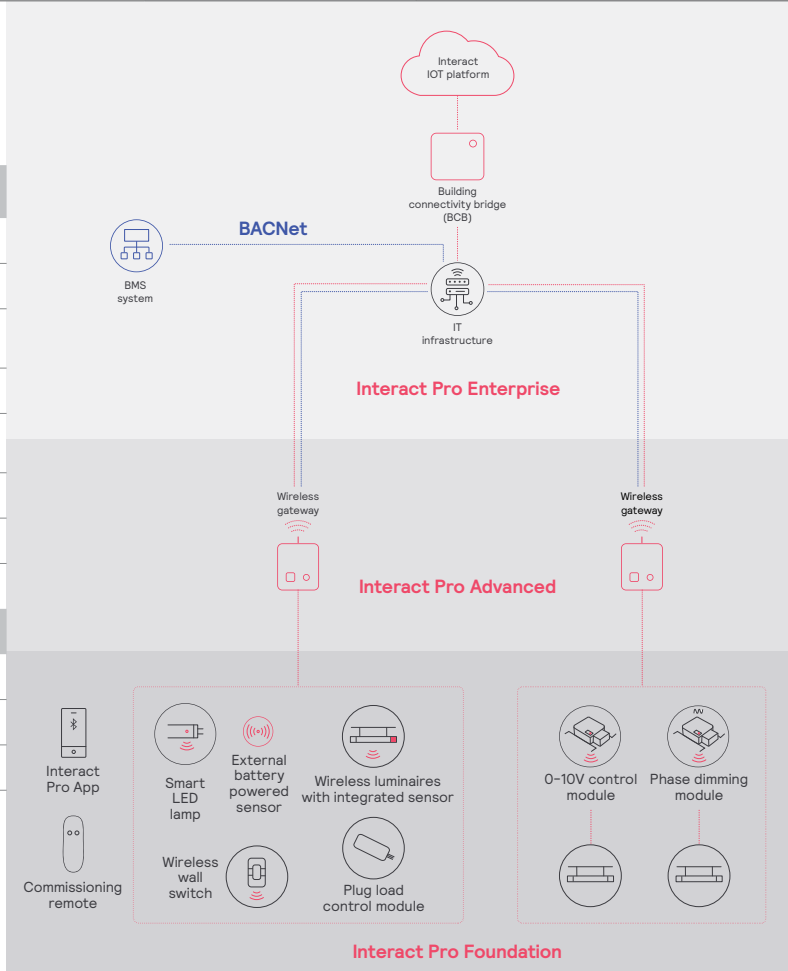
TruGroove wall micro (lens)

Interact Pro scalable system			
	Foundation	Advanced	Enterprise
Dimming, grouping, and zoning	✓	✓	✓
Bluetooth and ZigBee enabled	✓	✓	✓
Motion sensing and daylight harvesting	✓	✓	✓
Integration with 0-10V and phase dimming fixtures	✓	✓	✓
Code compliance	✓	✓	✓
Granular dimming and dwell time	✓	✓	✓
Energy reporting and monitoring		✓	✓
Scheduling		✓	✓
Demand response		✓	✓
BMS integration (BACnet)			✓
Floor plan visualization			✓
IoT sensors for wellness			✓
IoT Apps for productivity			✓

Currently supported maximum system size

To be able to design the lighting system correctly for the customer, it is important to know the prime characteristics of the system, its possibilities and limitations.

System level	
Total number of gateways	Unlimited
Total number of devices	200 per network
• luminaires with integrated sensors	150
• smart TLEDS	150
Total number of ZGP devices (sensors and switches)	50
• sensors	30
• switches	50
• zones and groups	64
Group level	
Recommended number of lights	40 (recommended 25)
Number of ZGP devices	5
Number of scenes	16



TruGroove wall micro (lens)

Colorimetry

TruGroove micro (TMxx) AccuRender Static White

Nominal CRI & CCT		CRI 90, 2700K	CRI 90, 3000K	CRI 90, 3500K	CRI 90, 4000K	CRI 90, 5000K
CIE 013.3-1995 ¹	CRI R_a	94	93	93	93	93
	R_9	55	57	59	64	68
	G_a	99	99	99	99	99
	C_9	93	93	93	93	94
IES TM-30-18 ²	R_f	92	91	91	91	90
	R_{f,h_1}	90	90	90	91	89
	R_g	100	100	99	100	100
	R_{cs,h_1}	-6%	-5%	-6%	-5%	-5%
MDER ³		0.45	0.51	0.58	0.65	0.81

1. Color Rendering Index (CRI Ra) and Strong Red (R9) are calculated in accordance with CIE 013.3-1995. Color Gamut index (Ga) and red chroma Index (C9) are CIE based properties using the Global Lighting Association's calculation tool.

2. Fidelity Index (Rf), Red Fidelity Index (Rf,h1), Gamut Index (Rg), and Red Local Chroma Shift (Rcs,h1) are calculated in accordance with IES TM-30-18.

3. Melanopic Daylight Efficacy Ratio (MDER) is the measure for "spectral melanopic efficiency" as defined in CIE S 026-2018.

Photometry

The following pages contain photometry for TruGroove suspended micro with louvers.

Photometry for TruGroove suspended micro with louver can be found by scanning the QR code or following the link: https://www.signify.com/api/assets/v1/file/Signify/content/3eff19e7cd0149d3b315ae6e011776fc/TruGroove_Wall_Micro_Louver_SpecSheet.pdf



TruGroove wall micro (lens)

Photometry

Direct (TM21) Performance Asymmetric Flush MesoOptic lens

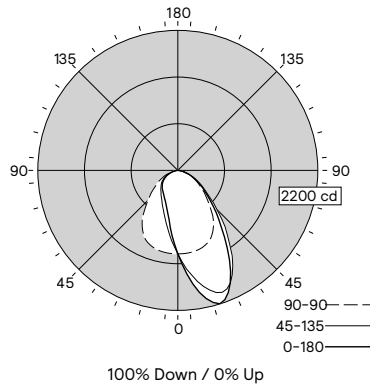
Nominal CRI & CCT		CRI 90, 2700K						CRI 90, 3000K					CRI 90, 3500K					CRI 90, 4000K					CRI 90, 5000K				
Nominal Lumen Package (lm/4ft)		Watts	Flux (lm/4ft) ¹	Efficacy (LPW) ¹	UGR ⁵	Photometry Report	IES File	Flux (lm/4ft) ¹	Efficacy (LPW) ¹	UGR ⁵	Photometry Report	IES File	Flux (lm/4ft) ¹	Efficacy (LPW) ¹	UGR ⁵	Photometry Report	IES File	Flux (lm/4ft) ¹	Efficacy (LPW) ¹	UGR ⁵	Photometry Report	IES File	Flux (lm/4ft) ¹	Efficacy (LPW) ¹	UGR ⁵	Photometry Report	IES File
Direct	Indirect																										
4000	NA	43.1	3,641	84.5	24.9	PDF	IES	3,735	86.7	25.0	PDF	IES	3,870	89.8	25.1	PDF	IES	3,911	90.7	25.1	PDF	IES	3,957	91.8	25.2	PDF	IES
3500	NA	37.3	3,190	85.5	24.4	PDF	IES	3,266	87.6	24.5	PDF	IES	3,388	90.8	24.6	PDF	IES	3,426	91.8	24.7	PDF	IES	3,463	92.8	24.7	PDF	IES
3000	NA	31.6	2,743	86.8	23.9	PDF	IES	2,803	88.7	24.0	PDF	IES	2,912	92.2	24.1	PDF	IES	2,944	93.2	24.2	PDF	IES	2,974	94.1	24.2	PDF	IES
2500	NA	26.4	2,284	86.5	23.3	PDF	IES	2,332	88.3	23.3	PDF	IES	2,425	91.9	23.5	PDF	IES	2,451	92.8	23.5	PDF	IES	2,475	93.8	23.6	PDF	IES
2000	NA	20.7	1,832	88.5	22.5	PDF	IES	1,869	90.3	22.6	PDF	IES	1,945	94.0	22.7	PDF	IES	1,965	94.9	22.7	PDF	IES	1,984	95.8	22.8	PDF	IES
1500	NA	15.9	1,371	86.2	21.5	PDF	IES	1,399	88.0	21.6	PDF	IES	1,458	91.7	21.7	PDF	IES	1,470	92.5	21.7	PDF	IES	1,485	93.4	21.8	PDF	IES
1000	NA	11.2	904	80.7	20.0	PDF	IES	922	82.3	20.1	PDF	IES	962	85.9	20.3	PDF	IES	968	86.4	20.3	PDF	IES	979	87.4	20.3	PDF	IES

Direct (TM21) Definition Symmetric Flush Silk lens

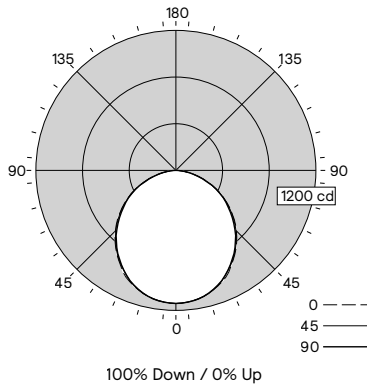
Nominal CRI & CCT		CRI 90, 2700K						CRI 90, 3000K					CRI 90, 3500K					CRI 90, 4000K					CRI 90, 5000K				
Nominal Lumen Package (lm/4ft)		Watts	Flux (lm/4ft) ¹	Efficacy (LPW) ¹	UGR ⁵	Photometry Report	IES File	Flux (lm/4ft) ¹	Efficacy (LPW) ¹	UGR ⁵	Photometry Report	IES File	Flux (lm/4ft) ¹	Efficacy (LPW) ¹	UGR ⁵	Photometry Report	IES File	Flux (lm/4ft) ¹	Efficacy (LPW) ¹	UGR ⁵	Photometry Report	IES File	Flux (lm/4ft) ¹	Efficacy (LPW) ¹	UGR ⁵	Photometry Report	IES File
Direct	Indirect																										
4000	NA	43.1	3,955	91.8	27.2	PDF	IES	4,058	94.2	27.3	PDF	IES	4,204	97.5	27.4	PDF	IES	4,249	98.6	27.4	PDF	IES	4,299	99.7	27.5	PDF	IES
3500	NA	37.3	3,466	92.9	26.7	PDF	IES	3,548	95.1	26.8	PDF	IES	3,681	98.7	26.9	PDF	IES	3,721	99.8	27.0	PDF	IES	3,762	100.9	27.0	PDF	IES
3000	NA	31.6	2,980	94.3	26.2	PDF	IES	3,045	96.4	26.3	PDF	IES	3,163	100.1	26.4	PDF	IES	3,198	101.2	26.4	PDF	IES	3,231	102.2	26.5	PDF	IES
2500	NA	26.4	2,482	94.0	25.6	PDF	IES	2,533	95.9	25.6	PDF	IES	2,634	99.8	25.8	PDF	IES	2,662	100.8	25.8	PDF	IES	2,688	101.8	25.8	PDF	IES
2000	NA	20.7	1,990	96.1	24.8	PDF	IES	2,031	98.1	24.9	PDF	IES	2,113	102.1	25.0	PDF	IES	2,135	103.1	25.0	PDF	IES	2,155	104.1	25.1	PDF	IES
1500	NA	15.9	1,490	93.7	23.8	PDF	IES	1,520	95.6	23.9	PDF	IES	1,583	99.6	24.0	PDF	IES	1,597	100.4	24.0	PDF	IES	1,613	101.4	24.1	PDF	IES
1000	NA	11.2	982	87.7	22.3	PDF	IES	1,002	89.5	22.4	PDF	IES	1,045	93.3	22.5	PDF	IES	1,052	93.9	22.6	PDF	IES	1,063	94.9	22.6	PDF	IES

1. 4ft Luminaire photometry has been conducted in accordance with IES LM-79-08. IES files can be downloaded by clicking the links in the table above, or online at ledalite.com. Luminaires with finishes other than standard white may result in a drop in flux and efficacy.
2. Unified Glare Ratio (UGR) is calculated in accordance with CIE 117-1995. Reference conditions of 4Hx8Hx1H and reflectances of 70/50/20% have been applied using the procedure described in CIE 190-2010.

Performance Asymmetric
Flush MesoOptic lens
Spacing Criteria: 1.44/1.23



Definition Symmetric
Flush Silk lens
Spacing Criteria: 1.23/1.22



Candela plots shown are for 3000lm/4ft, CRI 90, 3500K configurations.

TruGroove wall micro (lens)

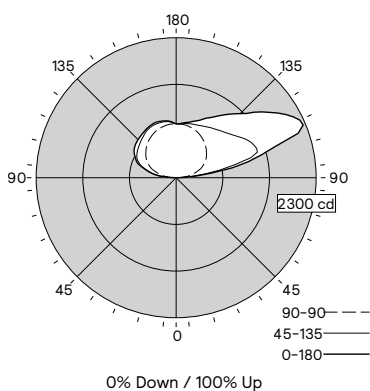
Photometry

Indirect (TM23) Performance Asymmetric lens

Nominal CRI & CCT		Watts	CRI 90, 2700K					CRI 90, 3000K					CRI 90, 3500K					CRI 90, 4000K					CRI 90, 5000K				
Nominal Lumen Package (lm/4ft)			Flux (lm/4ft) ¹	Efficacy (LPW) ¹	UGR ²	Photometry Report	IES File	Flux (lm/4ft) ¹	Efficacy (LPW) ¹	UGR ²	Photometry Report	IES File	Flux (lm/4ft) ¹	Efficacy (LPW) ¹	UGR ²	Photometry Report	IES File	Flux (lm/4ft) ¹	Efficacy (LPW) ¹	UGR ²	Photometry Report	IES File	Flux (lm/4ft) ¹	Efficacy (LPW) ¹	UGR ²	Photometry Report	IES File
Direct	Indirect																										
NA	6000	57.3	5,602	97.8	N/A	PDF	IES	5,759	100.5	N/A	PDF	IES	6,008	104.9	N/A	PDF	IES	6,079	106.1	N/A	PDF	IES	6,212	108.4	N/A	PDF	IES
NA	5000	45.6	4,681	102.7	N/A	PDF	IES	4,815	105.6	N/A	PDF	IES	5,007	109.8	N/A	PDF	IES	5,075	111.3	N/A	PDF	IES	5,187	113.8	N/A	PDF	IES
NA	4000	35.7	3,753	105.1	N/A	PDF	IES	3,859	108.1	N/A	PDF	IES	4,000	112.0	N/A	PDF	IES	4,060	113.7	N/A	PDF	IES	4,153	116.3	N/A	PDF	IES
NA	3000	26.4	2,824	107.0	N/A	PDF	IES	2,904	110.0	N/A	PDF	IES	3,001	113.7	N/A	PDF	IES	3,051	115.6	N/A	PDF	IES	3,120	118.2	N/A	PDF	IES
NA	2000	17.3	1,888	109.1	N/A	PDF	IES	1,945	112.4	N/A	PDF	IES	2,004	115.8	N/A	PDF	IES	2,040	117.9	N/A	PDF	IES	2,082	120.3	N/A	PDF	IES
NA	1000	9.5	939	98.8	N/A	PDF	IES	970	102.1	N/A	PDF	IES	995	104.7	N/A	PDF	IES	1,017	107.1	N/A	PDF	IES	1,033	108.7	N/A	PDF	IES

- 4ft Luminaire photometry has been conducted in accordance with IES LM-79-08. IES files can be downloaded by clicking the links in the table above, or online at ledalite.com. Luminaires with finishes other than standard white may result in a drop in flux and efficacy.
- Unified Glare Ratio (UGR) is calculated in accordance with CIE 117-1995. Reference conditions of 4Hx8Hx1H and reflectances of 70/50/20% have been applied using the procedure described in CIE 190-2010.

Performance Asymmetric lens



Candela plots shown are for 5000lm/4ft, CRI 90, 3500K configurations.

TruGroove wall micro (lens)

Footnotes from page 1 ordering guide

1. Nominal values within a range. Not all lumen packages are available with all configurations. Consult photometry data for CRI, color temp, lumens & distribution of chosen configuration.
2. Not all wiring types are available with all configurations. Consult Ledalite for a complete list of available options.
3. 347V not available with Battery Pack, GTD, DALI, Lutron EcoSystem or Sensor Ready drivers or Interact Pro options. Battery packs available in modules > 4ft (lumen package limits may apply, check with Ledalite)
4. Interact Pro & Interact Office Wired (PoE) options require separate controls hardware by Signify.
5. Tunable White is available in Interact Office Wired PoE luminaires. Please enquire about options for Tunable White with DALI (DT6 or DT8), 0-10V, Lutron T Series or DMX control (extended lead times may apply).
6. Auxiliary Wiring not available with Interact Pro or Interact Office Wired (PoE) luminaires. Aux sections are wired to one fixture end only.
7. Please inquire about options for wall mounted corners, custom angles and intersections (extended lead times may apply).
8. Tunable White not available with Louver Cell optics.
9. Integral sensors only recommended at ends of runs for best aesthetics. Mid run sensors can be provided in remote mounts. Integral sensors not available with Drop Lens options. Please enquire about options for remote sensors. Sensors must be combined with a Sensor Ready driver options. Default sensor color is white, fixtures with black finish have black sensors. (Consult factory for other combinations).
10. Luminaires are pre-wired to both ends with quick wire connectors at one end for standard circuit & battery pack trigger wire (if applicable). Each circuit has its own neutral conductor. All circuits are clearly labelled at each end.
11. Thru Wire options can provide either one additional set of (4) power and dimming wires (Black/White/Purple/Pink or Brown) or one additional battery pack trigger wire (Orange) through a selected module, please consult factory for other Thru Wire options.
12. Other options not shown here may also be possible via a custom request. Extended lead times and minimum order quantities may apply, please consult factory.
13. UL924 listed sensor bypass relay is factory installed between driver & sensor. Must be ordered in same module as integral sensing option. Must be installed in conjunction with a UL1008 device.
14. Must order IRT9015 Interact commissioning remote with each system order.
15. Combination modules with Louver Cells and a Flush Lens may be specified by using the "Louver Cell Length" and "Louver Cell Position" options.
16. Black Lens limits direct lumens to 700 or 1000lm/4ft and indirect lumens to a max of 3000lm/4ft. Tunable White only in MesoOptic, Flush Silk or Drop Silk lenses, consult photometry data for lumens options of chosen configuration.

Note: Due to continuing product improvements, Ledalite reserves the right to change the specifications without notice.



© 2022 Signify Holding. All rights reserved. The information provided herein is subject to change, without notice. Signify does not give any representation or warranty as to the accuracy or completeness of the information included herein and shall not be liable for any action in reliance thereon. The information presented in this document is not intended as any commercial offer and does not form part of any quotation or contract, unless otherwise agreed by Signify.

Signify North America Corporation
400 Crossing Blvd, Suite 600
Bridgewater, NJ 08807
Telephone 855-486-2216

Signify Canada Ltd.
281 Hillmount Road,
Markham, ON, Canada L6C 2S3
Telephone 800-668-9008

All trademarks are owned by Signify Holding or their respective owners.