



**Vectra** combines distinctive styling with Ledalite's revolutionary MesoOptics technology to bring the best of nature's luminous aesthetics to indoor environments.

Project: \_\_\_\_\_  
 Location: \_\_\_\_\_  
 Cat.No: \_\_\_\_\_  
 Type: \_\_\_\_\_  
 Line ID: \_\_\_\_\_ Qty: \_\_\_\_\_  
 Notes: \_\_\_\_\_

### Ordering guide

example: 9722D1STLA44S1DE

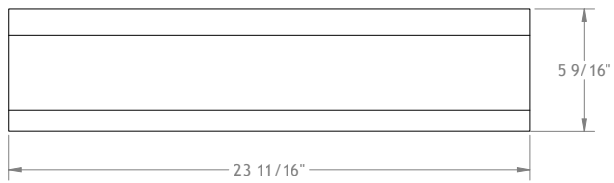
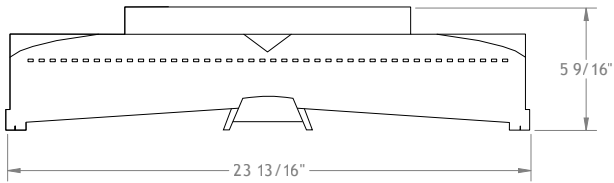
Family	Size	Version	Configuration	Source	CRI/CCT <sup>1</sup>	Lumens <sup>1</sup>	Housing	Wiring <sup>2,3</sup>	Voltage	Driver	Option
<b>97</b>				<b>L</b>						<b>E</b>	
<b>97</b> Vectra	<b>22</b> 2'x2'	<b>D1</b> Standard T-Grid	<b>ST</b> Standalone <b>CR</b> Continuous Row	<b>L</b> LED	<b>A</b> 90CRI/4000K	<b>44</b> 4400lm <b>36</b> 3600lm	<b>S</b> Standard <b>C</b> Chicago Plenum	<b>1</b> 1cct Dimming <b>B</b> 1cct Dimming + Battery Pack	<b>D</b> UNV 120-277V <b>3</b> 347V	<b>E</b> Advance 0-10V (1% Dim)	<b>P</b> Flex Whip (6') <b>D</b> Drywall Trim Kit  If no option is required, leave blank
		<b>D2</b> Slot T-Grid			<b>B</b> 90CRI/3500K						
	<b>14</b> 1'x4'	<b>D1</b> Standard T-Grid <b>D2</b> Slot T-Grid									

- Nominal values within a range. Consult photometry data for CRI, color temp, lumens & distribution of chosen configuration.
- Not all wiring types are available with all configurations. Consult Ledalite for a complete list of available options.
- Legacy coding for wiring options "7 - 1cct dimming" and "N - 1cct Dimming + Battery Pack" are exact equals to "1" and "B" options shown in the ordering guide.

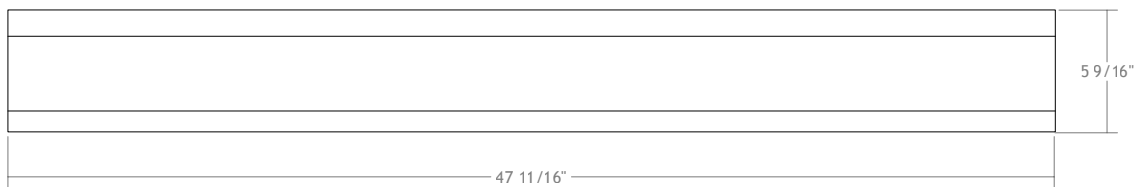
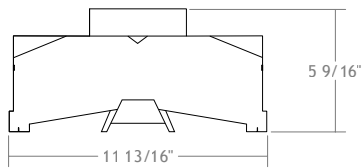
Note: Due to continuing product improvements, Ledalite reserves the right to change the specifications without notice.

## Cross Section View

2'x2'



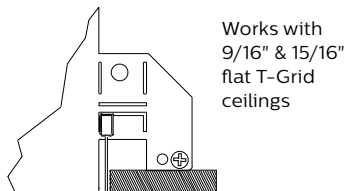
1'x4'



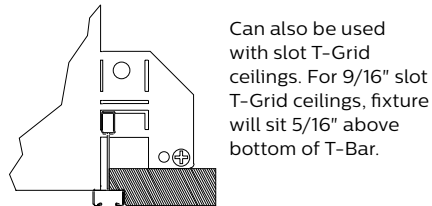
## Cross Section View – Mounting Details

### Flat T-Grid

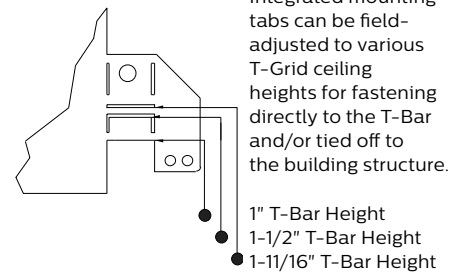
Integrates with most common T-Grid types



### Slot T-Grid



### Ceiling Types



## Specifications

### Optical System

The optical frame assembly consists of an acrylic panel with a layer of protected MesoOptics film which efficiently provides a luminous, controlled, low glare 3-dimensional batwing distribution. The optical frame ends are constructed from die-formed cold-rolled steel assembled together with extruded aluminum profiles in a sturdy frame. The frame is hinged to allow easy access to the inside of the fixture. Maintenance can be performed from below the ceiling.

### Housing

Die-formed, post-painted, 22 gauge cold-rolled steel housing. Multiple wire entrances are available (top or side) to allow continuous row mounting of fixtures. Optional frame restraint is available to provide additional safety support.

### Mounting

Compatible with lay-in acoustical ceilings using an exposed 9/16", 15/16" or slot T-grid suspension system (NEMA types G, NFG & NFGS). Integral mounting tabs are provided which handle different T-grid heights.

### Finish

Housing and Frame: Post-painted, high quality powder coat. Available in white only.

### Weight

Maximum 25lb.

### Electrical

LED boards are easily field replaceable. Fixtures are factory pre-wired and tested for all circuits. Driver access from below the ceiling. Optional armored cable flex whips are supplied in 6' lengths.

### Standard Driver

Advance Xitanium 0-10V, 1-100%. Class 2 rated output. Consult Ledalite for other available drivers.

### Standard Battery Pack

Bodine, 90 min, 10W, Class 2 rated output, Emergency lumen output = 10W x luminaire efficacy x 1.1. Typical output: 900lm.

### Lumen Maintenance

LEDs have been tested by the manufacturer in accordance with IESNA LM-80-08. At an ambient temperature of 25°C, the LED lumen maintenance expectation according to IES TM-21-11 Reported methodology is L70 (12k) >52,000 hrs.

### Source Color

LEDs rated for standard color rendering CRI >90, R9 >50 and fixture to fixture color accuracy within 3 SDCM.

### Approvals

Certified to UL, IES & CSA Standards. City of Chicago Approved CCEA (housing option C). Type IC Rated.

### Warranty

Five-year luminaire limited warranty including LED boards and driver. [signify.com/warranties](http://signify.com/warranties).

### Environment

Rated for dry or damp locations in operating ambient temperatures of 0-25°C (32-77°F). Many luminaire components, such as reflectors, refractors, lenses, sockets, lamp holders, and LEDs are made from various types of plastics which can be adversely affected by airborne contaminants. If sulfur based chemicals, petroleum based products, cleaning solutions, or other contaminants are expected in the intended area of use, consult factory for compatibility. Damage caused by sulfur, chlorine, petroleum based solution or other contaminants are not covered under warranty. Not suitable for natatorium environments.

# Vectra recessed

## 2'x2' & 1'x4'

### Photometrics\*\*

2'x2'

Spacing Criteria: 1.69/1.54

(Click "PDF" and "IES" text to Download)

Lumen Package	Nominal CRI & CCT	Flux (lm)	Watts (W)	Efficacy (LPW)	CRI	R9	DLC	Photometry Report	IES File
4400lm	90CRI, 4000K	4571	55.1	83.0	90+	50+	N/A	<a href="#">PDF</a>	<a href="#">IES</a>
	90CRI, 3500K	4608	55.3	83.3	90+	50+	N/A	<a href="#">PDF</a>	<a href="#">IES</a>
	90CRI, 3000K	4358	55.0	79.2	90+	50+	N/A	<a href="#">PDF</a>	<a href="#">IES</a>
3600lm	90CRI, 4000K	3705	43.1	86.0	90+	50+	N/A	<a href="#">PDF</a>	<a href="#">IES</a>
	90CRI, 3500K	3692	43.0	85.9	90+	50+	N/A	<a href="#">PDF</a>	<a href="#">IES</a>
	90CRI, 3000K	3555	43.3	82.1	90+	50+	N/A	<a href="#">PDF</a>	<a href="#">IES</a>

\*\*Photometry is measured to IES standards using CRI 80 LEDs. New AccuRender high efficacy CRI 90 LEDs will meet or exceed posted energy specifications including wattage, lumen output, and efficacy

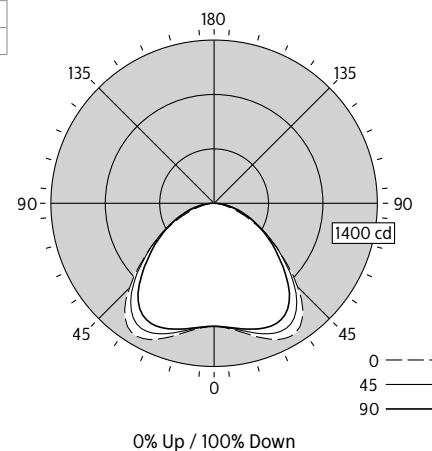
CANDELA DISTRIBUTION						Flux
	0	22.5	45	67.5	90	Lumens
0	1056	1056	1056	1056	1056	
5	1071	1068	1067	1065	1065	103
15	1164	1157	1141	1124	1118	325
25	1291	1272	1230	1181	1163	567
35	1291	1269	1203	1133	1106	746
45	1017	1008	969	903	874	737
55	660	664	660	631	615	580
65	359	373	391	395	389	384
75	146	165	191	207	211	198
85	28	38	50	55	56	54
90	0	0	0	0	0	
95	0	0	0	0	0	0
105	0	0	0	0	0	0
115	0	0	0	0	0	0
125	0	0	0	0	0	0
135	0	0	0	0	0	0
145	0	0	0	0	0	0
155	0	0	0	0	0	0
165	0	0	0	0	0	0
175	0	0	0	0	0	0
180	0	0	0	0	0	0

\*Photometric data shown is for 3600 lm, 3500K, 90 CRI configuration.

COEFFICIENTS OF UTILIZATION (%)													
Pc---	80				70				50				0
Pw---	70	50	30	10	70	50	30	50	30	10	0	0	
RCR													
0	119	119	119	119	116	116	116	111	111	111	100		
1	109	105	101	97	107	102	99	98	95	92	85		
2	100	92	85	80	97	90	84	86	81	77	71		
3	91	81	73	66	89	79	72	76	70	65	60		
4	83	72	63	56	81	70	62	68	61	55	52		
5	77	64	55	49	75	63	55	61	53	48	45		
6	71	58	49	42	69	57	48	55	47	42	39		
7	65	52	43	37	64	51	43	50	42	37	34		
8	61	47	39	33	59	47	39	45	38	33	30		
9	57	43	35	30	55	43	35	42	34	29	27		
10	53	40	32	27	52	39	32	38	31	27	25		

ZONAL LUMEN SUMMARY			
Zone	Lumens	%Fixture	%Lamp
0-30	995	26.9%	26.9%
0-40	1740	47.1%	47.1%
0-60	3057	82.8%	82.8%
0-90	3692	100.0%	100.0%
90-130	0	0.0%	0.0%
90-150	0	0.0%	0.0%
90-180	0	0.0%	0.0%
0-180	3692	100.0%	100.0%

AVG LUMINANCE (cd/m <sup>2</sup> )			
	0	45	90
0	3381	3381	3381
5	3442	3429	3423
15	3858	3782	3706
25	4561	4345	4109
35	5046	4702	4323
45	4605	4388	3957
55	3684	3684	3433
65	2720	2962	2947
75	1806	2363	2610
85	1029	1837	2057



# Vectra recessed

## 2'x2' & 1'x4'

### Photometrics\*\*

1'x4'

Spacing Criteria: 1.29/1.52

(Click "PDF" and "IES" text to Download)

Lumen Package	Nominal CRI & CCT	Flux (lm)	Watts (W)	Efficacy (LPW)	CRI	R9	DLC	Photometry Report	IES File
4400lm	90CRI, 4000K	4495	55.1	81.6	90+	50+	N/A	<a href="#">PDF</a>	<a href="#">IES</a>
	90CRI, 3500K	4381	55.3	79.2	90+	50+	N/A	<a href="#">PDF</a>	<a href="#">IES</a>
	90CRI, 3000K	4344	54.9	79.1	90+	50+	N/A	<a href="#">PDF</a>	<a href="#">IES</a>
3600lm	90CRI, 4000K	3623	43.3	83.7	90+	50+	N/A	<a href="#">PDF</a>	<a href="#">IES</a>
	90CRI, 3500K	3600	43.0	83.7	90+	50+	N/A	<a href="#">PDF</a>	<a href="#">IES</a>
	90CRI, 3000K	3494	42.7	81.8	90+	50+	N/A	<a href="#">PDF</a>	<a href="#">IES</a>

\*\*Photometry is measured to IES standards using CRI 80 LEDs. New AccuRender high efficacy CRI 90 LEDs will meet or exceed posted energy specifications including wattage, lumen output, and efficacy

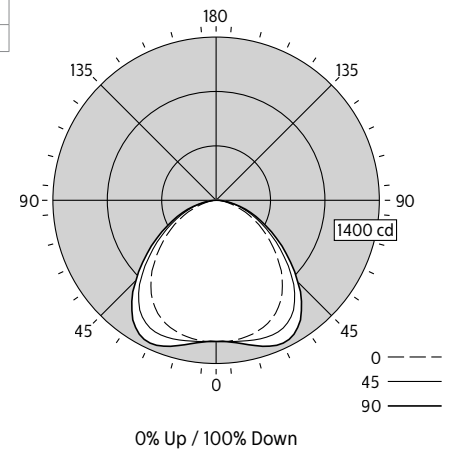
CANDELA DISTRIBUTION						Flux
	0	22.5	45	67.5	90	Lumens
0	1212	1212	1212	1212	1212	
5	1214	1215	1217	1216	1220	116
15	1189	1204	1241	1274	1291	352
25	1120	1162	1247	1320	1352	571
35	978	1042	1150	1226	1254	705
45	753	810	903	965	980	685
55	523	559	622	673	684	550
65	312	335	379	412	418	372
75	136	165	196	213	208	197
85	26	43	48	49	46	52
90	0	0	0	0	0	
95	0	0	0	0	0	0
105	0	0	0	0	0	0
115	0	0	0	0	0	0
125	0	0	0	0	0	0
135	0	0	0	0	0	0
145	0	0	0	0	0	0
155	0	0	0	0	0	0
165	0	0	0	0	0	0
175	0	0	0	0	0	0
180	0	0	0	0	0	

\*Photometric data shown is for 3600 lm, 3500K, 90 CRI configuration.

COEFFICIENTS OF UTILIZATION (%)													
Pc---	80				70				50				0
Pw----	70	50	30	10	70	50	30	50	30	10	0		
RCR													
0	119	119	119	119	116	116	116	111	111	111	100		
1	109	105	101	97	107	103	99	98	95	93	85		
2	100	92	85	80	97	90	84	87	82	77	72		
3	91	81	73	67	89	80	72	77	70	65	61		
4	84	72	64	57	81	71	63	68	61	56	52		
5	77	65	56	49	75	63	55	61	54	49	45		
6	71	58	49	43	69	57	49	55	48	43	40		
7	66	53	44	38	64	52	44	50	43	38	35		
8	62	48	40	34	60	47	39	46	39	34	31		
9	57	44	36	31	56	44	36	42	35	30	28		
10	54	41	33	28	53	40	33	39	32	28	26		

ZONAL LUMEN SUMMARY			
Zone	Lumens	%Fixture	%Lamp
0-30	1039	28.9%	28.9%
0-40	1744	48.4%	48.4%
0-60	2979	82.7%	82.7%
0-90	3600	100.0%	100.0%
90-130	0	0.0%	0.0%
90-150	0	0.0%	0.0%
90-180	0	0.0%	0.0%
0-180	3600	100.0%	100.0%

AVG LUMINANCE (cd/m²)			
	0	45	90
0	4176	4176	4176
5	4199	4209	4219
15	4241	4427	4605
25	4258	4741	5140
35	4113	4837	5274
45	3669	4400	4775
55	3142	3736	4109
65	2544	3090	3408
75	1810	2609	2769
85	1028	1897	1818



© 2022 Signify Holding. All rights reserved. The information provided herein is subject to change, without notice. Signify does not give any representation or warranty as to the accuracy or completeness of the information included herein and shall not be liable for any action in reliance thereon. The information presented in this document is not intended as any commercial offer and does not form part of any quotation or contract, unless otherwise agreed by Signify.

Signify North America Corporation  
400 Crossing Blvd, Suite 600  
Bridgewater, NJ 08807  
Telephone: 855-486-2216

Signify Canada Ltd.  
281 Hillmount Road,  
Markham, ON, Canada L6C 2S3  
Telephone: 800-668-9008

All trademarks are owned by Signify Holding or their respective owners.