

DATE:

PROJECT:

COMMENTS:

VP-VE

Compact Vaporproof Fixture - Value Engineered



CONSTRUCTION

- Noncorroding, 30% glass-filled, high impact thermoset polyester housing
- High impact reinforced polymer alloy guard
- Porcelain medium screw base lamp holder
- Brass screws and inserts
- Long life silicone gaskets

LAMP

- Type A19 or A21 Edison base (Lamp not included)
- 150W maximum

APPROVALS

- ETL
- CSA Certified indoor/outdoor
- NEMA 4X
- Meets UL 94V-0 standards for flame retardant
- Indoor / Outdoor



White Gray Black

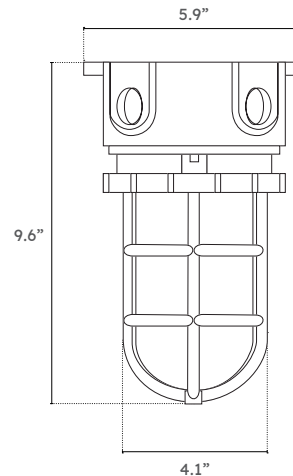
ORDERING LOGIC

VP-VE-01-C-G

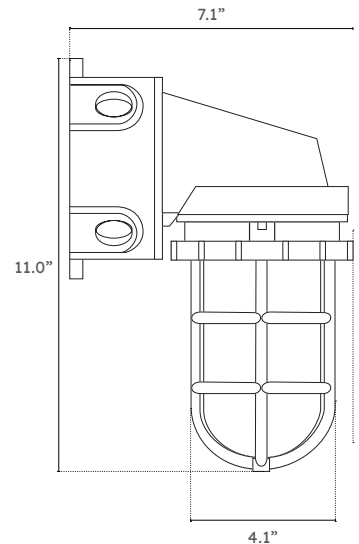
| SERIES | FINISH | MOUNTING | GUARD |
|--------|----------|-----------|---------------|
| VP-VE | 01 White | C Ceiling | G Globe Guard |
| | 02 Gray | W Wall | |
| | 03 Black | | |
| VP-VE | | | |

DIMENSIONS/MOUNTING TYPES

Ceiling Mount



Wall Mount



INSTALLATION

The ceiling box has 3/4" threaded hubs with liquid tight knockouts. Internal grounding system allows for hub to hub grounding continuity when using metallic wiring methods (lock nuts are required). Two mounting feet are spaced 5 1/4". Pendant mount fixtures have a single 3/4" threaded hub with a locking set screw. Use minimum 90°C rated lead wires.

