



FORM AND FUNCTION

- Sleek, die-cast low profile housing
- Spec grade performance
- Engineered for optimum thermal management
- Reduces energy consumption and costs up to 65%
- Lumens: 51,000 - 103,000+
- 9 Standard Finishes

RELIABILITY

- IP66 Rated
- Silicone Optics
- IK10 Rated Optics
- 3G Vibration Rated Trunnion Mount
- 1.5G Vibration Rated Knuckle Mount
- 20KA Surge Protection

The innovative NV Flood Series is a high-powered, corrosion resistant, low copper, die-cast aluminum luminaire.

Heat-sink cooling fins are designed with a thermal gap for longer LED and Driver life.

The NV-F5 comes in 256L LED configuration, 537 to 805 Watts, with five Kelvin color temperatures 2700K, 3000K, 3500K, 4000K and 5000K. Four Static LED color options available for a splash of color.

Silicone optical distribution patterns include 15° Very Narrow Beam, 30° Narrow Beam, 55° Medium Beam, 85° Wide beam, 7X5 NEMA T2 Distribution, 7X6 T3 NEMA Distribution, Forward Throw NEMA 6X6 T4, and a Symmetrical NEMA 7X7 T5.

Mounting options include 2 3/8" Knuckle Mount, Wall Mount or Trunnion Mount.

Glare control options include the House Side Shield (HSS), Egg Crate Louver Shield (ECL), Large Egg Louver Shield (LEL), Barn Doors (BAD), Angled Visor (AGV), Front-side Visor (FSV), Small and Large Snoot (SNS) (SNL).

Other options include Tamper Proof Hardware, 5 Conductor Dimming Leads.

Applications include:

- | | |
|---------------------|---------------------|
| • Sign Lighting | • Parking |
| • Building Facades | • Flag Pole |
| • Landscape | • Merchandising |
| • Wall Washing | • Billboard |
| • Up Lighting | • Indirect Lighting |
| • Security Lighting | • Display Pad |
| • Residential | • Transportation |
| • Commercial | |

IP66 Rated for any direction or angle of Flood Lighting.



Project Name:

Type:

NV-F5 ORDERING GUIDE

Cat#	Optics	Watts	Kelvin Temp		Volts
NV-F5 (NV-F5)	15° (15) Very Narrow	400W ^① (400W)	2700K, 70 CRI (27K7)	Red 624-634nm (RED) ^①	120-277 (UNV)
	30° (30) Narrow Beam	537W (537W)	2700K, 80 CRI (27K8) ^②	Amber 585-600nm (AMBER) ^①	347-480 (HV)
	55° (55) Medium Beam	805W (805W)	3000K, 70 CRI (30K7)	Green 520-540nm (GREEN) ^①	
	85° (85) Wide Beam		3000K, 80 CRI (30K8) ^②	Royal Blue 440-460nm (BLUE) ^①	
	IES T2 / NEMA 7Hx5V (T2)		3500K, 80 CRI (35K8)		
	IES T3 / NEMA 7Hx6V (T3)		4000K, 70 CRI (40K7)		
	Forward Throw (T4)		4000K, 80 CRI (40K8) ^②		
	Symmetrical (T5)		5000K, 70 CRI (50K7)		
			5000K, 80 CRI (50K8) ^②		

Mounting	Glare Control Options	Color	Options
Knuckle Mount 2-3/8" (KM)	Barn Doors (BAD)	Bronze Textured (BRZ)	Button Photocell (PC) ^{③⑥}
Trunnion Mount (TM) ^⑤	Egg Crate Louver (ECL)	White Textured (WHT)	FSP-211 with Motion Sensor (FSP-20) ^④ *9'-20' Heights (FSP-40) ^④ *21'-40' Heights
Wall Mount (WM) ^⑤	Large Egg Louver (LEL)	Smooth White Gloss (SWT)	Tamper Proof Hardware (TPH)
	Front-side Visor (FSV)	Silver Textured (SVR)	Marine Grade Finish (MGF)
	Angled Visor (AGV)	Black Textured (BLK)	Black Hardware (BH)
	Snoot Short (SNS)	Smooth Black Gloss (SBK)	Black Optic Frame (BOF)
	Snoot Long (SNL)	Graphite Textured (GPH)	No Option (NA)
	House Side Shield (HSS) ^⑤	Grey (GRY)	
	No Glare Control (NGC)	Green (GRN)	
		Custom (CS)	

- Notes:**
- ① Static Colors Only. Consult Factory
 - ② Consult Factory for Lead Time. Consult Factory for 90 CRI Requests.
 - ③ Standard finish is stainless steel. Can be painted to match fixture
 - ④ Universal Voltage 120-277
 - ⑤ House Side Shield for T2, T3, T4 only
 - ⑥ Consult Factory
 - ⑦ Consult Factory for lead times
 - ⑧ Wall Mount Bracket WM-SFA Required



701 Kingshill Place, Carson, CA 90746
Call Us Today (310) 341-2037

nslighting.com

PRODUCT SPECIFICATIONS

ELECTRICAL

- 120-277 Volts (UNV) or 347-480 Volts (HV)
- 0-10V dimming driver
- Driver power factor at maximum load is $\geq .95$, THD maximum load is 15%
- LED Drivers Ambient Temp. Min is -40°C and Ambient Temp. Max ranges from 50°C to 55°C and, in some cases, even higher. Consult the factory for revalidation by providing the fixture catalog string before quoting and specifying it.
- All internal wiring UL certified for 600 VAC and 105°C
- All drivers, controls, and sensors housed in enclosed IP66 compartment
- CRI 70, 80, and 90
- Color temperatures: 2700K, 3000K, 3500K, 4000K, 5000K
- Surge Protection: 20kA supplied as standard.
- 5 Conductor Dimming Leads standard.

CONSTRUCTION

Precision Die cast-aluminum housing for durability and consistency. Stainless Steel corrosion resistant external hardware. One-piece silicone gasket ensures IP66 seal for electronics compartment.

OPTICS

Silicone Micro Optics providing 96% Clarity and Heat Resistant up to 150°C . Silicone optics high thermal stability and light output provide higher powered LEDs with minimized lumen depreciation. UV stability with scratch resistance increases exterior application durability. Silicone optics do not yellow, crack or brittle over time.

Distribution patterns are designed to provide maximum light spread for short set backs when lighting signs and washing walls.

MOUNTING OPTIONS

- KNUCKLE MOUNT (KM) - 2-3/8" for direct mount to many options.
- TRUNNION MOUNT (TM) - Standard Stainless Steel Cord Seal

GLARE CONTROL OPTIONS

- BARN DOORS (BAD) - Field adjustable beam angle control.
- EGG CRATE LOUVER (ECL) - Egg Crate Louver is for Extreme Glare Control.
- LARGE EGG LOUVER (LEL) - Large Egg Crate Louver is for Precision Glare Control.
- FRONT-SIDE VISOR (FSV) - Is designed for minimal Glare Control.
- ANGLED VISOR (AGV) - Angled Visor is for minimal glare control.
- SNOOT (SNS)(SNL) - Short and Long versions for full cutoff precision spot lighting.
- HOUSE SIDE SHIELDS (HSS) - House Side Shield (HSS) is designed for full property line cutoff.

OPTIONS

- FSP-211 (FSP-X)—Passive infrared (PIR) sensor providing multi-level control based on motion/daylight contribution.
- All control parameters adjustable via wireless configuration remote storing and transmitting sensor profiles.
- FSP-20 mounting heights 9-20 feet
- FSP-40 mounting heights 21-40 feet.
- Includes 5 dimming event cycles, 0-10V dimming with motion sensing, re-programmable in the field.
- FSIR-100 commissioning remote is required to change sensor settings. Please contact factory for ordering.

MARINE GRADE FINISH (MGF) - A multi-step process creating protective finishing coat against harsh environments. Chemically washed in a 5 stage cleaning system. Pre-baked before primer is applied. Powder coated 3-5 mils of Zinc Rich Super Durable Polyester Primer. Oven Baked. Finished Powder Coating of Super Durable Polyester Powder Coat 3-5 mil thickness.

- TAMPER PROOF HARDWARE - Provided to protect the optical assembly and the driver compartment for vandal resistance.
- BLACK HARDWARE (BH) - Optional black, zinc coated steel hardware.
- BLACK OPTIC FRAME (BOF) - Optional black optic frame. Standard is white.

LED

Lumileds Luxeon MX LED

CRI 70, 80, or 90

Color temperatures: 2700K 3000K, 3500K, 4000K, 5000K

Lumileds Luxeon CZ LED

Static Color Options: Red (Red 624-634nm), Green (520-540nm), Blue (440-460nm), and Amber (585-600nm)

FINISH

3-5 mils electrostatic powder coat. NLS' standard high-quality finishes prevent corrosion and protects against extreme environmental conditions.

WARRANTY

Five-year standard warranty

LISTINGS

- Certified to UL 1598
- UL 8750
- CSA C22.2 No. 250.0
- DesignLights Consortium® (DLC)
- DesignLights Consortium Premium® (DLCP)
- IP66 Rated Fixture / IP67 Rated Optics
- IDA Dark Sky Approved
- IK10 Rated
- 1.5G Vibration Rated - Knuckle Mount
- 3G Vibration Rated - Trunnion Mount



The information and specifications on this document are subject to change without any notification. All values are design, nominal, or typical or prorated values when measured under internal and external laboratory conditions.



701 Kingshill Place, Carson, CA 90746
Call Us Today (310) 341-2037

nslighting.com

PRODUCT SPECIFICATIONS

NV-F5 LUMENS							
PART NUMBER	15°	30°	55°	LM/W	85°	LM/W	WATTS
NV-F5-537W-27K8	54118	51631	53202	99	54201	101	537
NV-F5-537W-27K7	50673	48343	56819	106	57887	108	537
NV-F5-537W-30K8	54329	51832	57040	106	58112	108	537
NV-F5-537W-30K7	58513	55823	61433	114	62587	117	537
NV-F5-537W-35K8	54329	51832	57040	106	58112	108	537
NV-F5-537W-40K8	58513	55823	61433	114	62587	117	537
NV-F5-537W-40K7	63223	60317	66378	124	67625	126	537
NV-F5-537W-50K8	58513	55823	61433	114	62587	117	537
NV-F5-537W-50K7	63223	60317	66378	124	67625	126	537
NV-F5-805W-27K7	81177	77446	85229	106	86830	108	805
NV-F5-805W-27K8	76009	72515	79802	99	81302	101	805
NV-F5-805W-30K8	81493	77748	85561	106	87168	108	805
NV-F5-805W-30K7	87769	83735	92149	114	93881	117	805
NV-F5-805W-35K8	81493	77748	85561	106	87168	108	805
NV-F5-805W-40K8	87769	83735	92149	114	93881	117	805
NV-F5-805W-40K7	94834	90475	99567	124	101438	126	805
NV-F5-805W-50K8	87769	83735	92149	114	93881	117	805
NV-F5-805W-50K7	94834	90475	99567	124	101438	126	805

PRODUCT SPECIFICATIONS

NV-F5 LUMENS									
PART NUMBER	T2	LM/W	T3	LM/W	T4	LM/W	T5	LM/W	WATTS
NV-F5-537W-27K8	53946	100	54349	101	51578	96	55409	103	537
NV-F5-537W-27K7	57614	107	58045	108	55086	103	59177	110	537
NV-F5-537W-30K8	57838	108	58271	109	55300	103	59408	111	537
NV-F5-537W-30K7	62292	116	62758	117	59558	111	63982	119	537
NV-F5-537W-35K8	57838	108	58271	109	55300	103	59408	111	537
NV-F5-537W-40K8	62292	116	62758	117	59558	111	63982	119	537
NV-F5-537W-40K7	67307	125	67810	126	64353	120	69133	129	537
NV-F5-537W-50K8	62292	116	62758	117	59558	111	63982	119	537
NV-F5-537W-50K7	67307	125	67810	126	64353	120	69133	129	537
NV-F5-805W-27K7	86421	107	87068	108	82628	103	88766	110	805
NV-F5-805W-27K8	80919	101	81524	101	77367	96	83114	103	805
NV-F5-805W-30K8	86758	108	87406	109	82950	103	89111	111	805
NV-F5-805W-30K7	93438	116	94137	117	89338	111	95973	119	805
NV-F5-805W-35K8	86758	108	87406	109	82950	103	89111	111	805
NV-F5-805W-40K8	93438	116	94137	117	89338	111	95973	119	805
NV-F5-805W-40K7	100960	125	101715	126	96529	120	103699	129	805
NV-F5-805W-50K8	93438	116	94137	117	89338	111	95973	119	805
NV-F5-805W-50K7	100960	125	101715	126	96529	120	103699	129	805

PRODUCT SPECIFICATIONS

NV-F5 B.U.G RATINGS									
PART NUMBER	15°	30°	55°	85°	T2	T3	T4	T5	WATTS
NV-F5-537W-27K8	B5-U0-G1	B5-U0-G2	B5-U0-G2	B5-U0-G2	B4-U0-G5	B4-U0-G5	B4-U0-G5	B5-U0-G5	537
NV-F5-537W-27K7	B5-U0-G1	B5-U0-G2	B5-U0-G2	B5-U0-G2	B4-U0-G4	B4-U0-G5	B4-U0-G5	B5-U0-G5	537
NV-F5-537W-30K8	B5-U0-G1	B5-U0-G2	B5-U0-G2	B5-U0-G2	B4-U0-G5	B4-U0-G5	B4-U0-G5	B5-U0-G5	537
NV-F5-537W-30K7	B5-U0-G2	B5-U0-G2	B5-U0-G2	B5-U0-G2	B4-U0-G5	B4-U0-G5	B4-U0-G5	B5-U0-G5	537
NV-F5-537W-35K8	B5-U0-G1	B5-U0-G2	B5-U0-G2	B5-U0-G2	B4-U0-G5	B4-U0-G5	B4-U0-G5	B5-U0-G5	537
NV-F5-537W-40K8	B5-U0-G2	B5-U0-G2	B5-U0-G2	B5-U0-G2	B4-U0-G5	B4-U0-G5	B4-U0-G5	B5-U0-G5	537
NV-F5-537W-40K7	B5-U0-G2	B5-U0-G3	B5-U0-G2	B5-U0-G2	B4-U0-G5	B4-U0-G5	B5-U0-G5	B5-U0-G5	537
NV-F5-537W-50K8	B5-U0-G2	B5-U0-G2	B5-U0-G2	B5-U0-G2	B4-U0-G5	B4-U0-G5	B4-U0-G5	B5-U0-G5	537
NV-F5-537W-50K7	B5-U0-G2	B5-U0-G3	B5-U0-G2	B5-U0-G2	B4-U0-G5	B4-U0-G5	B5-U0-G5	B5-U0-G5	537
NV-F5-805W-27K7	B5-U0-G2	B5-U0-G3	B5-U0-G2	B5-U0-G2	B5-U0-G5	B5-U0-G5	B5-U0-G5	B5-U0-G5	805
NV-F5-805W-27K8	B5-U0-G2	B5-U0-G3	B5-U0-G2	B5-U0-G2	B4-U0-G5	B5-U0-G5	B5-U0-G5	B5-U0-G5	805
NV-F5-805W-30K8	B5-U0-G2	B5-U0-G3	B5-U0-G2	B5-U0-G2	B5-U0-G5	B5-U0-G5	B5-U0-G5	B5-U0-G5	805
NV-F5-805W-30K7	B5-U0-G2	B5-U0-G3	B5-U0-G2	B5-U0-G2	B5-U0-G5	B5-U0-G5	B5-U0-G5	B5-U0-G5	805
NV-F5-805W-35K8	B5-U0-G2	B5-U0-G3	B5-U0-G2	B5-U0-G2	B5-U0-G5	B5-U0-G5	B5-U0-G5	B5-U0-G5	805
NV-F5-805W-40K8	B5-U0-G2	B5-U0-G3	B5-U0-G2	B5-U0-G2	B5-U0-G5	B5-U0-G5	B5-U0-G5	B5-U0-G5	805
NV-F5-805W-40K7	B5-U0-G2	B5-U0-G3	B5-U0-G2	B5-U0-G2	B5-U0-G5	B5-U0-G5	B5-U0-G5	B5-U0-G5	805
NV-F5-805W-50K8	B5-U0-G2	B5-U0-G3	B5-U0-G2	B5-U0-G2	B5-U0-G5	B5-U0-G5	B5-U0-G5	B5-U0-G5	805
NV-F5-805W-50K7	B5-U0-G2	B5-U0-G3	B5-U0-G2	B5-U0-G2	B5-U0-G5	B5-U0-G5	B5-U0-G5	B5-U0-G5	805

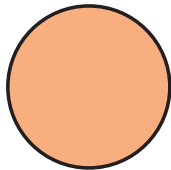
PRODUCT SPECIFICATIONS

EPA	NV-F5
	0.73

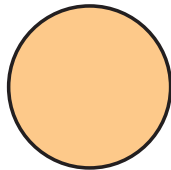
Weight	NV-F5
	55 LBS

Lumen Maintenance Data							
Ambient Temperature	Drive Current	L90 Hours*	L70 Hours**	30,000 Hours*	50,000 Hours*	60,000 Hours*	100,000 Hours**
25°C	Up to 700mA	58,000	173,000	95.7%	91.6%	89.6%	82.1%
	1050mA	48,000	143,000	94.3%	89.5%	87.2%	78.5%
*Reported extrapolations per IESNA TM-21				**Projected extrapolations per IESNA TM-21			
Lumen Maintenance Data (For Static Colors, Please Contact Factory)							

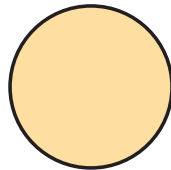
LED KELVIN RANGE



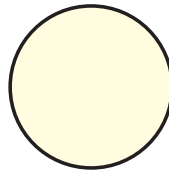
2700K 70 CRI



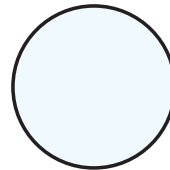
3000K 70 CRI



3500K 80 CRI

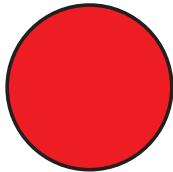


4000K 70 CRI

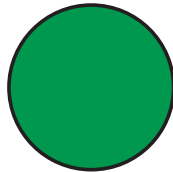


5000K 70 CRI

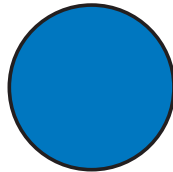
STATIC COLOR LED



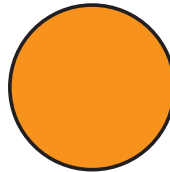
RED
624-634 nm



GREEN
520-540 nm



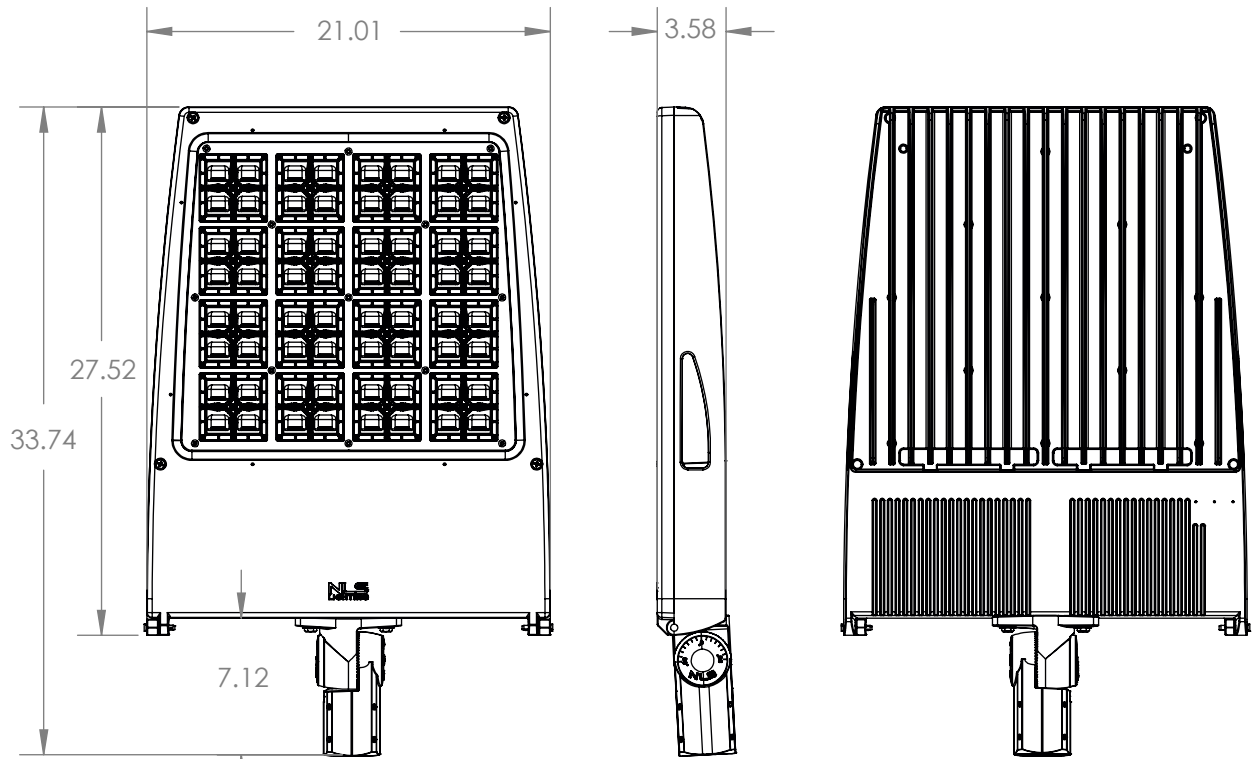
ROYAL BLUE
440-460nm



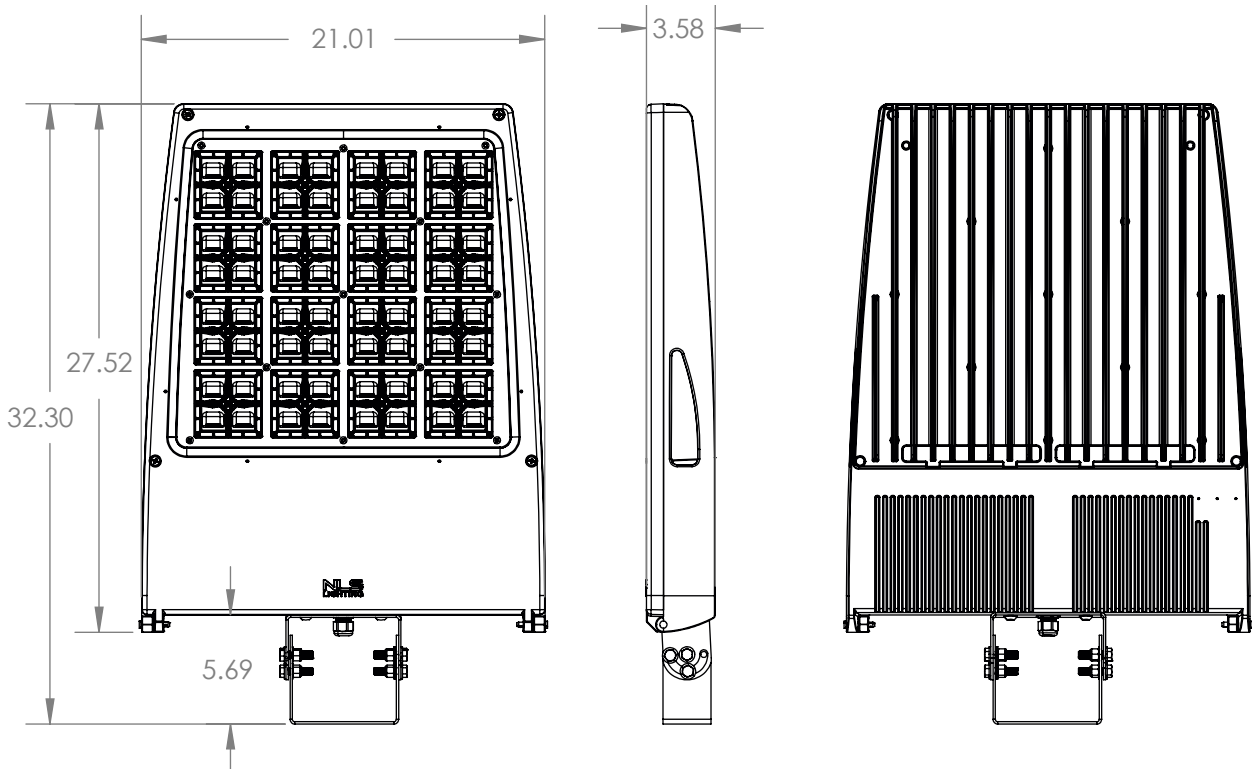
AMBER
585-600 nm

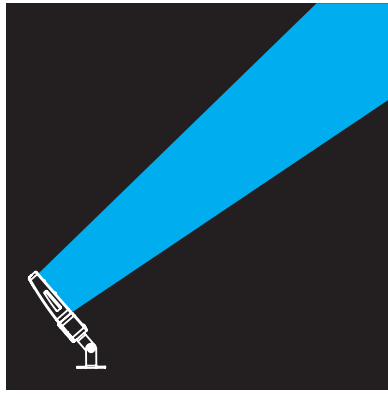
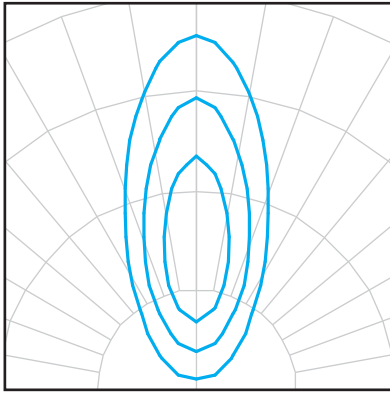
DIMENSIONAL DRAWINGS

KNUCKLE MOUNT



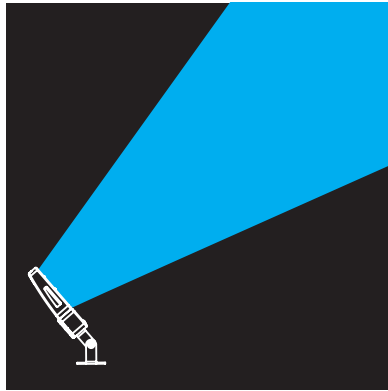
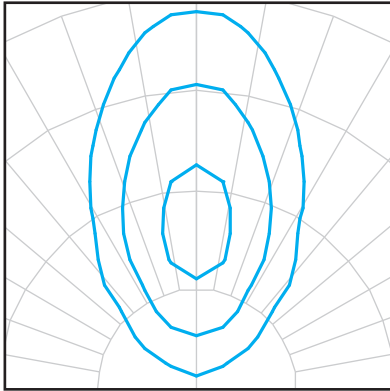
TRUNNION MOUNT





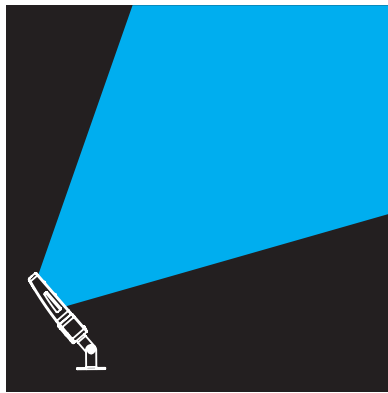
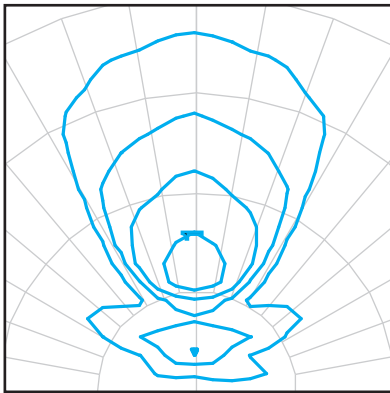
15° Very Narrow Beam Optic

The 15° Optic is used for very specific spot lighting. Spot Lighting a statue, a monument, or a piece of art. The NV Floods can be used indoors and outdoors. Pair the 15° Optic with the following Glare Control Options for more dramatic effect. Snoot Short (SNS), Snoot Long (SNL), or Egg Crate Louvers (ECL). These Glare Control Options help reduce glare and focus the viewing angles.



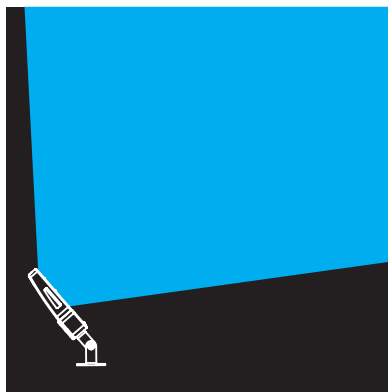
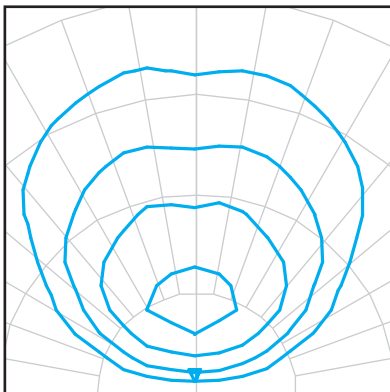
30° Narrow Beam Optic

The 30° Optic is used for larger objects and for spot and accent lighting. The 30° is perfect for Flag Lighting, Facade Lighting and great for showcasing Car Dealerships, display pads. Pair the 30° Optic with the following Glare Control Options for more dramatic effect. Snoot Short (SNS), Snoot Long (SNL), or Egg Crate Louvers (ECL). These Glare Control Options help reduce glare and focus the viewing angle.



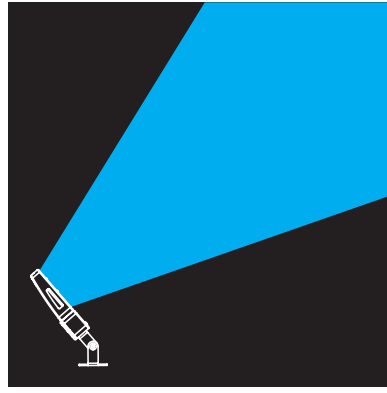
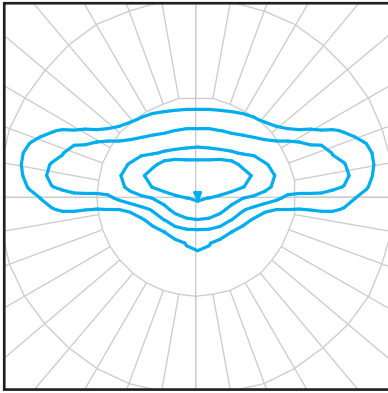
55° Medium Beam Optic

The 55° Optic is used for larger objects, flood lighting. The 55° is perfect for Facade Lighting, Landscape and general flood lighting. Pair the 55° Optic with the following Glare Control Options for more dramatic effect. Snoot Short (SNS), Angled Visor (AGV), These Glare Control Options help reduce glare and focus the beam angles.



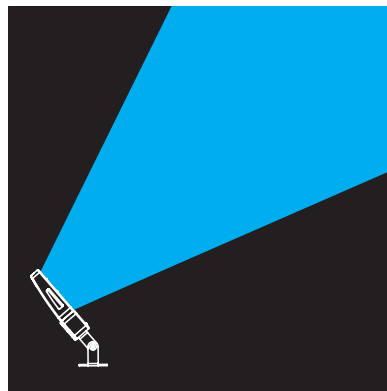
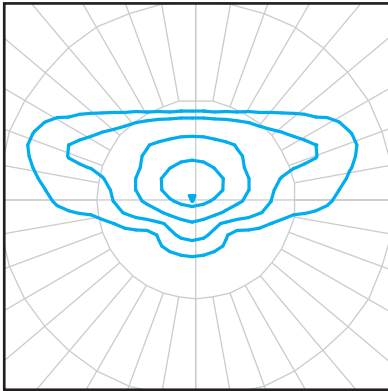
85° Wide Flood Optic

The 85° Optic is used for large area and accent lighting. The 85° is perfect for Security Lighting, general flood lighting and area lighting. Pair the 85° Optic with the following Glare Control Options for more dramatic effect. Snoot Small (SNS), Angled Visor (AGV), These Glare Control Options help reduce glare and shield unnecessary light.



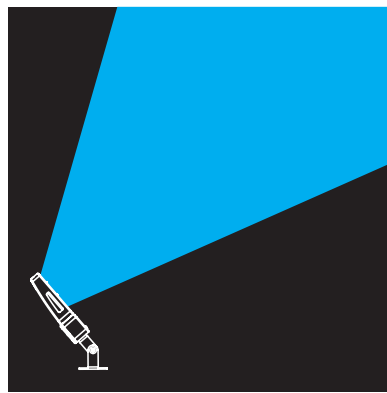
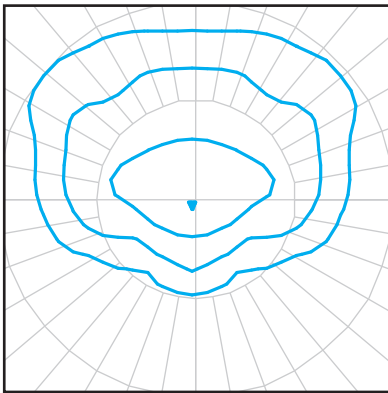
NEMA 7X5 T2 Flood Optic

The Type II (T2) distribution is used for narrow pathways and trails, narrow entrances of shopping centers, parking lots and office complex's.



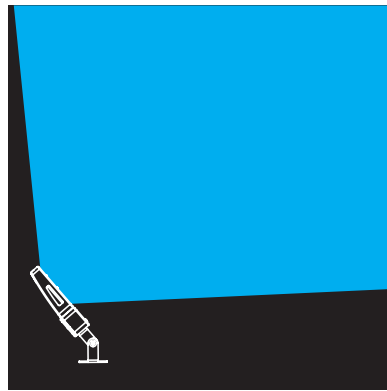
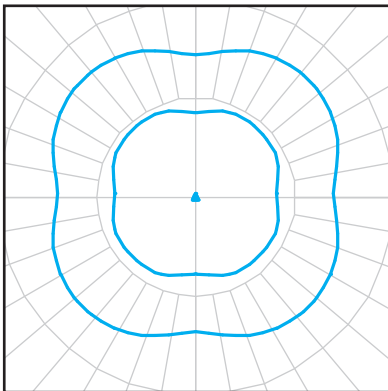
NEMA 7X6 T3 Flood Optic

The Type III (T3) distribution is meant for roadway lighting, general parking areas and other areas where a larger area of lighting is required. Type III lighting needs to be placed to the side of the area, allowing the light to project outward and fill the area. This produces a filling light flow.



NEMA 6X6 Forward Throw T4 Flood Optic

The Type IV (T4) distribution produces a semicircular light meant for mounting on the sides of buildings and walls. It is best for illuminating the perimeter of parking areas and businesses. The intensity of the Type IV lighting has the same intensity at angles from 90° to 270°.



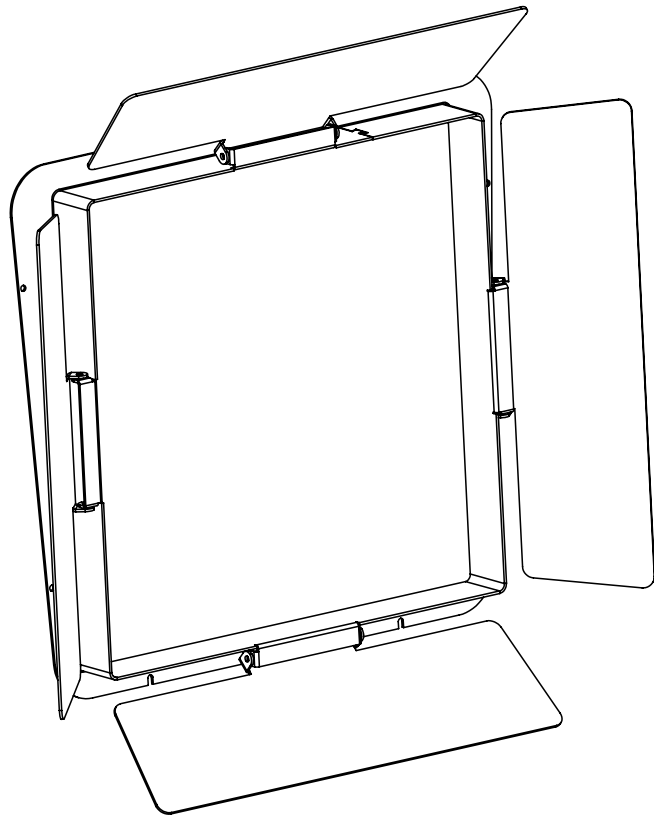
NEMA 7X7 Symmetrical T5 Flood Optic

The Type V (T5) produces a symmetrical distribution that has the same intensity at all angles. This distribution has a uniform symmetry of candlepower that is essentially the same at all lateral angles. It is meant for large, commercial parking lot lighting as well as areas where sufficient, evenly distributed light is necessary

GLARE CONTROL OPTIONS

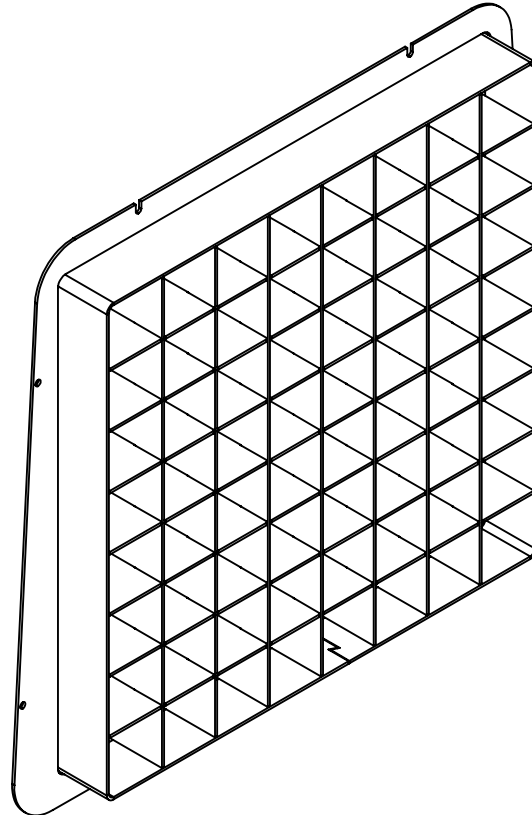
BARN DOORS (BAD)

The Barn Doors is field adjustable beam angle control. Laser cut precision formed aluminum construction. Powder Coated flat black as standard. The **(BAD)** is field installable.



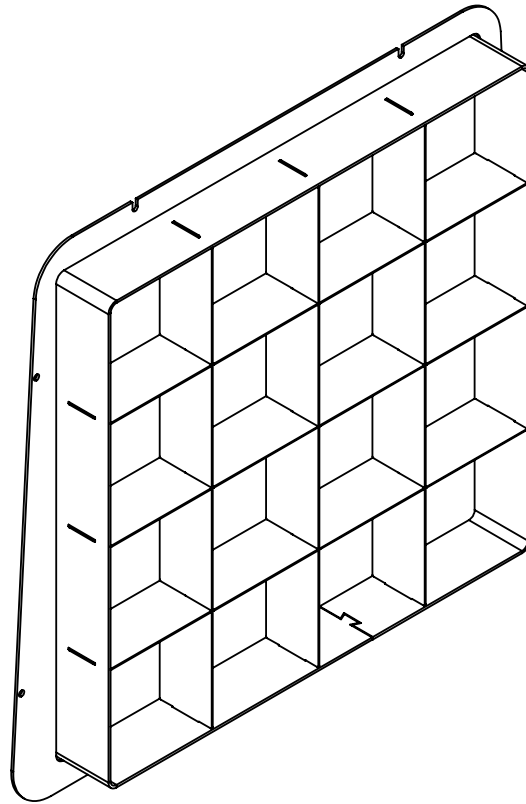
EGG CRATE LOUVER (ECL)

The Egg Crate Louver is designed for Extreme Glare Control using the 15° optic. Laser cut precision formed aluminum construction. Powder Coated flat black as standard. The **(ECL)** is field installable.



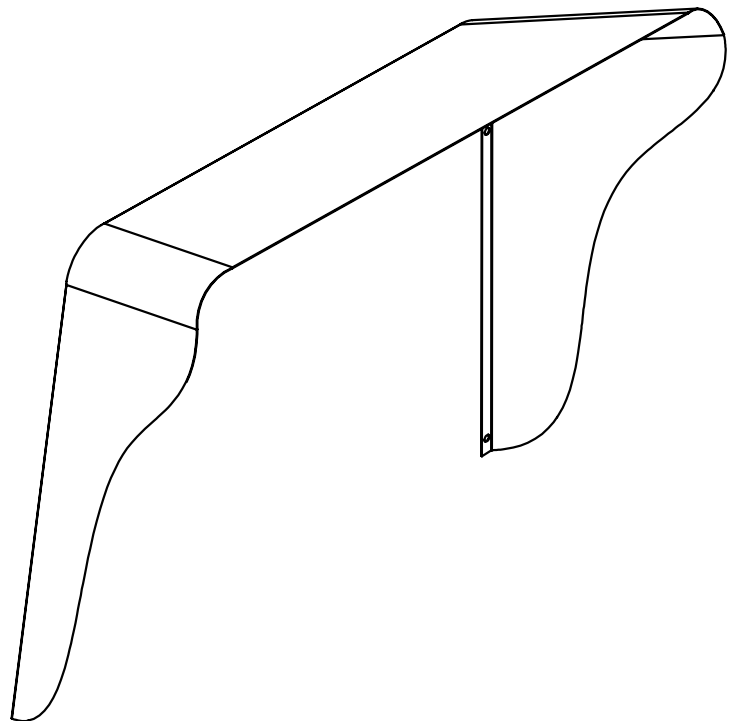
LARGE EGG LOUVER (LEL)

The Large Egg Louver is designed for precision Glare Control with excellent beam management. Best when used with the 15°, 30°, and 55° optics. Laser cut formed aluminum construction. Powder Coated flat black as standard. The **(LEL)** is field installable.



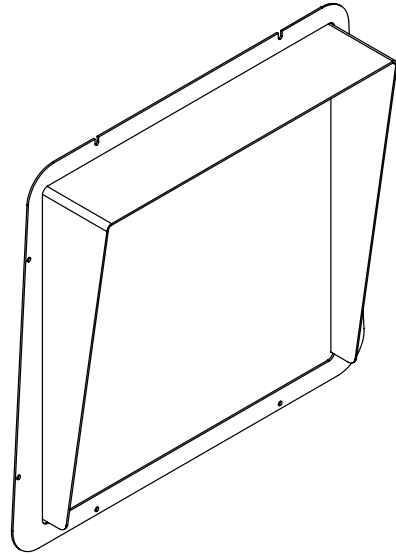
FRONT-SIDE VISOR (FSV)

The Front-side Visor is designed for acute front-side glare control. Laser cut precision formed aluminum construction. Powder Coated flat black as standard. The **(FSV)** is field installable.



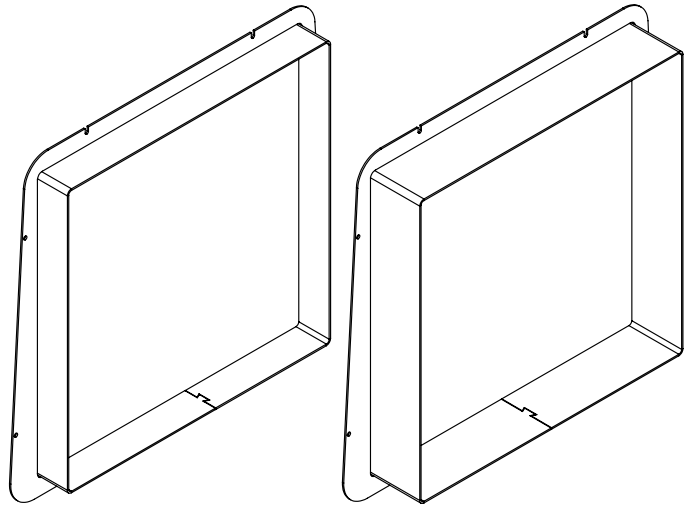
ANGLED VISOR (AGV)

The Angled Visor is designed for basic front-side glare control. Laser cut precision formed aluminum construction. Powder Coated flat black as standard. The **(AGV)** is field installable.



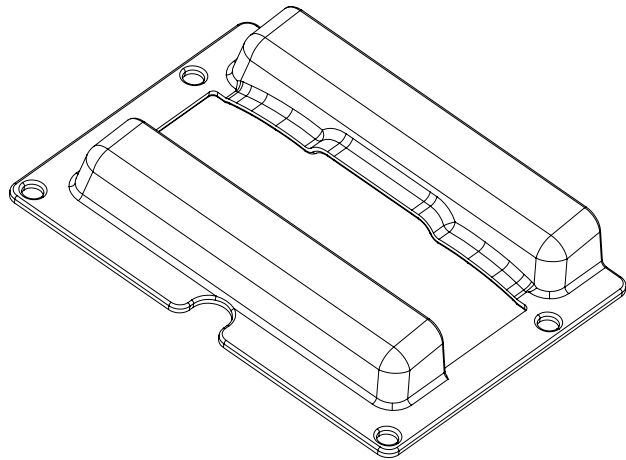
SNOOT (SNS) (SNL)

Snoot in short or long options for full cutoff precision spot lighting. Laser cut precision formed aluminum construction. Powder Coated flat black as standard. The **(SNS)** & **(SNL)** is field installable.



HOUSE SIDE SHIELD (HSS)

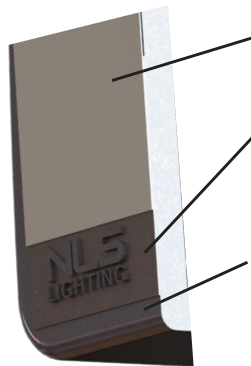
House Side Shield **(HSS)** is designed for stringent property line cutoff. Injection Molded Glass Filled Nylon, standard finish is black. Only available with Types T2, T3, and T4 optics.



FIXTURE FEATURES & OPTIONS

MARINE GRADE FINISH

The **(MGF)** is a multi step process. Chemically washed in a 5 stage cleaning system. Pre-baked. Powder coated 3-5 mils of Zinc Rich Super Durable Polyester Primer. Oven Baked. Finished Powder Coating of Super Durable Polyester Powder Coat 3-5 mil thickness.



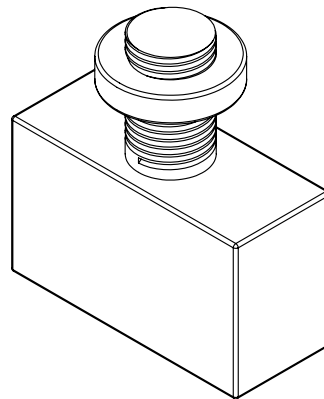
Powder Coat Finish
3-5mm Powder Coat

Primer Layer
3-5mm Zinc Rich
Super Durable Polyester Primer

Prepared Casting
Chemically washed in multi Step 5 stage
cleaning process

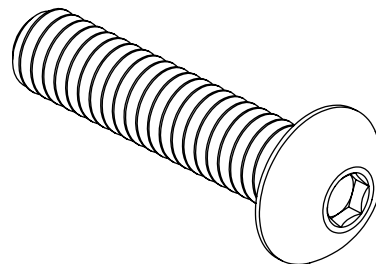
BUTTON PHOTOCELL

Photocell for dusk to dawn operation.
Consult Factory.



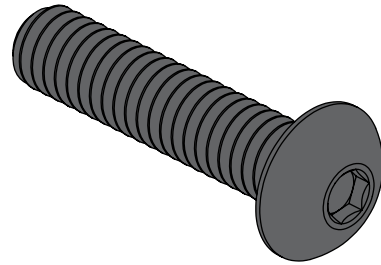
TAMPER PROOF HARDWARE

Stainless Steel Button Head Hex Drive
Screws. Provided to protect the optical
assembly and the driver compartment
for vandal resistance.



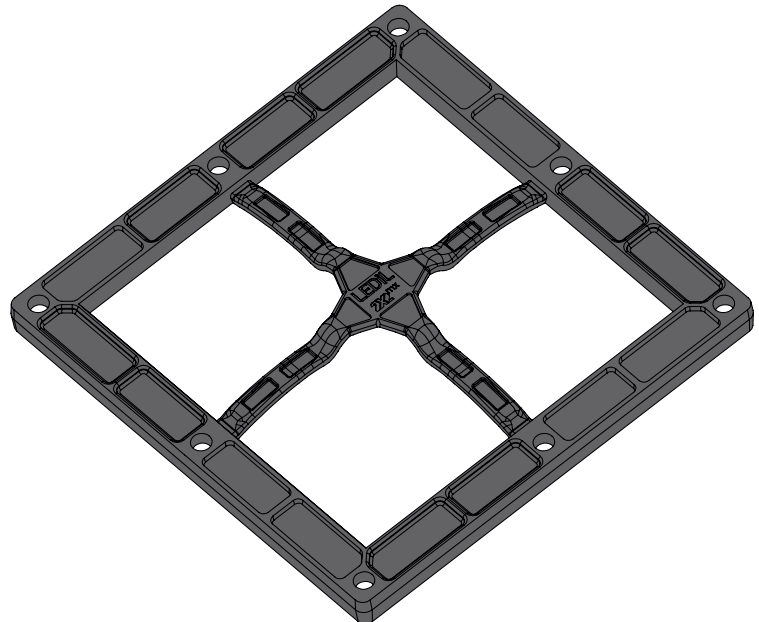
BLACK HARDWARE

Optional black, zinc coated steel hardware.



BLACK OPTIC FRAME

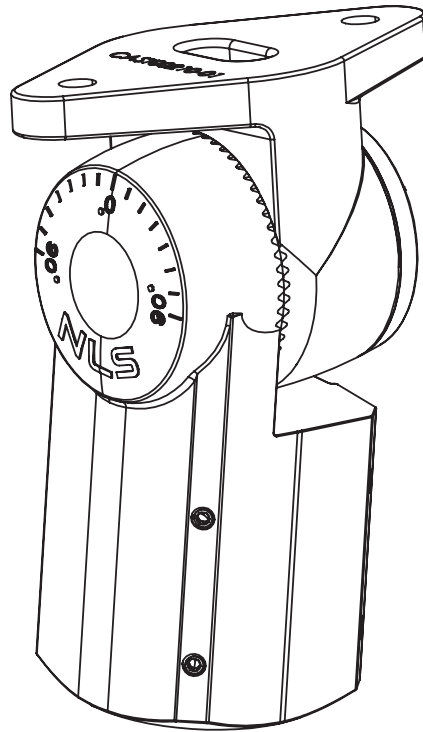
Optional Black Optic Frame.
Standard is white.



MOUNTING OPTIONS

KNUCKLE MOUNT 2 3/8" (KM)

Fits over a 2-3/8" Tenon. Max tilt 180°.



TRUNNION MOUNT (TM)

Standard finish is stainless steel. Trunnion Mount has a universal Mounting Pattern.

