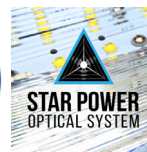


The Sentry is an outdoor vandal proof luminaire that is made out of cast aluminum grade. It is designed with vertical fins and painted with high quality powder coat (3mm), built to resist all outdoor conditions.

With its superior durability and high performance, the Sentry is a perfect solution for all lighting applications while specializing in vandal resistance. Perfect for recreational parks, shopping malls, parking lots, libraries, school sites, walkways and much more.

Kelvin temperature offerings include 2700K, 3000K, 3500K, 4000K and 5000K with a wattage range of 18 to 36 watts.



### STAR POWER OPTICAL SYSTEM

The Star Power reflector is an excellent system which provides great value and performance.

#### LED WATTAGE CHART

	<b>16L</b>
<b>350 milliamps</b>	18w
<b>530 milliamps</b>	28w
<b>700 milliamps</b>	36w

Project Name:	Type:
---------------	-------

Cat#	Light Dist.	# of LEDs	Milliamps	Kelvin	Volts	Mounting	Color	Options
Sentry 1 (SY-1)	Type 3 (T3)	16 (16L)	350 (35)	2700K, 80 CRI (27K8)	120-277 (UNV)	Post Top Over 3" OD (T3R)	Bronze Textured (BRZ)	Bird Spikes (BS)  Marine Grade Finish (MGF)  FSP-211 with Motion Sensor (FSP-8) <sup>Ⓛ</sup> 8' and Below (FSP-20) <sup>Ⓛ</sup> 9'-20" Heights (FSP-40) <sup>Ⓛ</sup> 21'-40' Heights  House Side Shield (HSS)
	Type 5 (T5)		530 (53)	2700K, 80 CRI (27K8) <sup>Ⓛ</sup>	347-480 (HV)		White Textured (WHT)	
			700 (7)	3000K, 70 CRI (30K7)			Smooth White Gloss (SWT)	
				3000K, 80 CRI (30K8) <sup>Ⓛ</sup>			Silver (SVR)	
				3500K, 80 CRI (35K8) <sup>Ⓛ</sup>			Black Textured (BLK)	
				4000K, 70 CRI (40K7)			Smooth Black Gloss (SBK)	
				4000K, 80 CRI (40K8) <sup>Ⓛ</sup>			Graphite Textured (GPH)	
				5000K, 70 CRI (50K7)			Grey Textured (GRY)	
				5000K, 80 CRI (50K8) <sup>Ⓛ</sup>			Custom (CS)	

**Notes:**

- Ⓛ Consult Factory for Lead Time. Consult Factory for 90 CRI Requests.
- Ⓛ Universal Voltage 120-277

# PRODUCT SPECIFICATIONS

## ELECTRICAL

- 120-277 Volts (UNV) or 347-480 Volts (HV)
- 0-10V dimming driver
- Driver power factor at maximum load is  $\geq .95$ , THD maximum load is 15%
- LED Drivers Ambient Temp. Min is  $-40^{\circ}\text{C}$  and Ambient Temp. Max ranges from  $50^{\circ}\text{C}$  to  $55^{\circ}\text{C}$  and, in some cases, even higher. Consult the factory for revalidation by providing the fixture catalog string before quoting and specifying it.
- All internal wiring UL certified for 600 VAC and  $105^{\circ}\text{C}$
- CRI 70, 80 or 90
- Color temperatures: 2700, 3000K, 3500K, 4000K, 5000K
- Surge Protection: 20KA supplied as standard.

## CONSTRUCTION

- Cast Aluminum. Tempered Glass Lens.

## OPTIONS

- MARINE GRADE FINISH (MGF) - A multi-step process creating protective finishing coat against harsh environments. Chemically washed in a 5 stage cleaning system. Pre-baked, Powder coated 3-5 mils of Zinc Rich Super Durable Polyester Primer. Oven Baked. Finished Powder Coating of Super Durable Polyester Powder Coat 3-5 mil thickness.

Bird Spikes (BS)

House Side Shield (HSS) is designed for full property line cut-off.

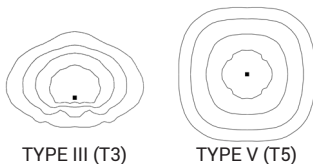
## CONTROL OPTIONS

- FSP-211 (FSP-X)—Passive infrared (PIR) sensor providing multi-level control based on motion/daylight contribution.
  - All control parameters adjustable via wireless configuration remote storing and transmitting sensor profiles.
  - FSP-20 mounting heights 9-20 feet
  - FSP-40 mounting heights 21-40 feet.
  - Includes 5 dimming event cycles, 0-10V dimming with motion sensing, reprogrammable in the field.
  - FSIR-100 commissioning remote is required to change sensor settings. Please contact factory for ordering.
- Controls Agnostics: Please contact factory for your preferred controls option.

## OPTICS

Recessed Star Power Optical System is 95% reflective material. Utilizes a linear diffused pattern, softening the light distribution and eliminating any dark shadows or striations.

- IES Types



## FINISH

- 3-5 mils electrostatic powder coat.
- NLS Lighting standard high-quality finishes prevent corrosion and protects against extreme environmental conditions

## WARRANTY

Five-year limited warranty for drivers and LEDs.

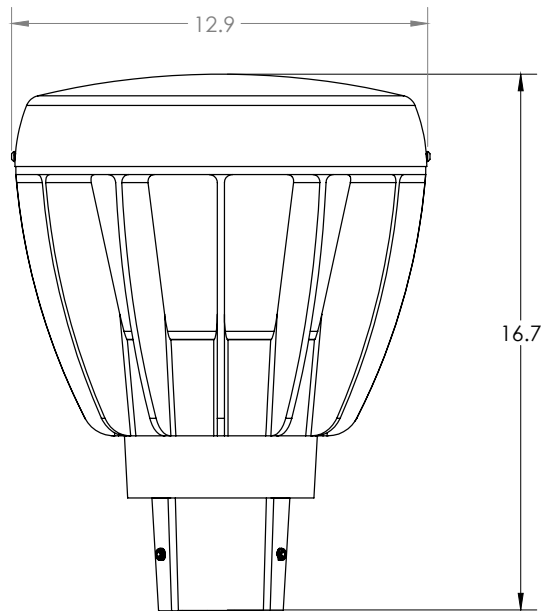


The information and specifications on this document are subject to change without any notification. All values are design, nominal, or typical or prorated values when measured under internal and external laboratory conditions.

# PRODUCT SPECIFICATIONS

**SENTRY - LUMEN DATA CHART**

PART NUMBER	T3 LUMENS	T3 LM/W	T5 LUMENS	T5 LM/W	Watts
SY-1-16L-35-30K7	1602	89	1692	94	18
SY-1-16L-35-40K7	1656	92	1746	97	18
SY-1-16L-35-50K7	1728	96	1818	101	18
SY-1-16L-53-30K7	2492	89	2632	94	28
SY-1-16L-53-40K7	2576	92	2716	97	28
SY-1-16L-53-50K7	2688	96	2828	101	28
SY-1-16L-7-30K7	3204	89	3384	94	36
SY-1-16L-7-40K7	3312	92	3492	97	36
SY-1-16L-7-50K7	3456	96	3636	101	36



EPA	
LUMINAIRE	SINGLE
SENTRY I	.7