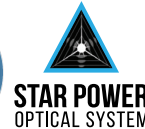


The Wilshire is the perfect luminaire designed to replace existing post top fixtures saving seventy five percent energy while meeting IES minimum foot candle levels while improving light distribution and uniformity.

The Full Cutoff Dark Sky Wilshire luminaire features LEDs recessed deep into the luminaire eliminating any direct glare. Frosted textured glass is Standard lens.

Wilshire is available from 18 to 80 watts and its scale is perfect to replace any wattage between 70-400 watt HID. The Wilshire throws light four to five mounting heights in all directions which is a major light distribution improving existing optical technology. The Wilshire features the Star Power Reflector system, a diffused 95 percent reflective low glare optical material.

Wilshire is available in Kelvin temperatures of 2700K, 3000K, 3500K, 4000K, and 5000K in Type 3 and Type 5 distributions.



**STAR POWER™ OPTICAL SYSTEM**

The Star Power™ reflector is an excellent system which provides great value and performance.

**LED WATTAGE CHART**

	16L	32L	48L
350 milliamps	18w	33w	51w
530 milliamps	28w	54w	80w

Project Name: \_\_\_\_\_ Type: \_\_\_\_\_

--	--	--	--	--	--	--	--	--

Cat#	Light Dist.	# of LEDs	Milliamps	Kelvin	Volts	Mounting	Color	Options
Wilshire (WIL)	Type 3 (T3)	16 (16L)	350 (35)	2700K, 70 CRI (27K7)	120-277 (UNV)	Post Top Over 2-3/8" OD (T2R)	Bronze Textured (BRZ)	Marine Grade Finish (MGF) Photocell (PC) ② House Side Shield (HSS) Bird Spikes (BS)
	Type 5 (T5)	32 (32L)	530 (53)	2700K, 80 CRI (27K8) ①	347-480 (HV)	Post Top Over 3" OD (T3R)	White Textured (WHT)	
		48 (48L)		3000K, 70 CRI (30K7)			Smooth White Gloss (SWT)	
				3000K, 80 CRI (30K8) ①			Silver (SVR)	
				3500K, 80 CRI (35K8) ①			Black Textured (BLK)	
				4000K, 70 CRI (40K7)			Smooth Black Gloss (SBK)	
				4000K, 80 CRI (40K8) ①			Graphite Textured (GPH)	
				5000K, 70 CRI (50K7)			Grey Textured (GRY)	
				5000K, 80 CRI (50K8) ①			Custom (CS)	

**Notes:**

- ① Consult Factory for Lead Time. Consult Factory for 90 CRI Requests.
- ② Universal Voltage 120-277

# PRODUCT SPECIFICATIONS

## ELECTRICAL

- 120-277 Volts (UNV) or 347-480 Volts (HV)
- 0-10V dimming driver
- Driver power factor at maximum load is  $\geq .95$ , THD maximum load is 15%
- LED Drivers Ambient Temp. Min is -40°C and Ambient Temp. Max ranges from 50°C to 55°C and, in some cases, even higher. Consult the factory for revalidation by providing the fixture catalog string before quoting and specifying it.
- All internal wiring UL certified for 600 VAC and 105°C
- CRI 70, 80 or 90
- Color temperatures: 2700, 3000K, 3500K, 4000K, 5000K
- Surge Protection: 20KA supplied as standard.

## CONSTRUCTION

- Cast Aluminum

## OPTIONS

- MARINE GRADE FINISH (MGF) - A multi-step process creating protective finishing coat against harsh environments. Chemically washed in a 5 stage cleaning system. Pre-baked, Powder coated 3-5 mils of Zinc Rich Super Durable Polyester Primer. Oven Baked. Finished Powder Coating of Super Durable Polyester Powder Coat 3-5 mil thickness.

House Side Shield (HSS) is designed for full property line cut-off.

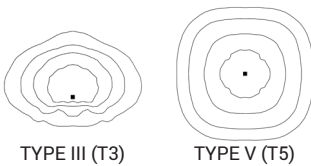
## CONTROL OPTIONS

- PHOTOCCELL - Button type photocell.
- Controls Agnostics: Please contact factory for your preferred controls option.

## OPTICS

Recessed Star Power Optical System is 95% reflective material. Utilizes a linear diffused pattern, softening the light distribution and eliminating any dark shadows or striations.

- IES Types



## FINISH

- 3-5 mils electrostatic powder coat.
- NLS Light's standard high-quality finishes prevent corrosion protects against and extreme environmental conditions

## WARRANTY

Five-year limited warranty for drivers and LEDs.

## LISTINGS

- Certified to UL 1598
- UL 8750
- CSA C22.2 No. 250.0



The information and specifications on this document are subject to change without any notification. All values are design, nominal, typical or prorated values when measured under internal and external laboratory conditions.



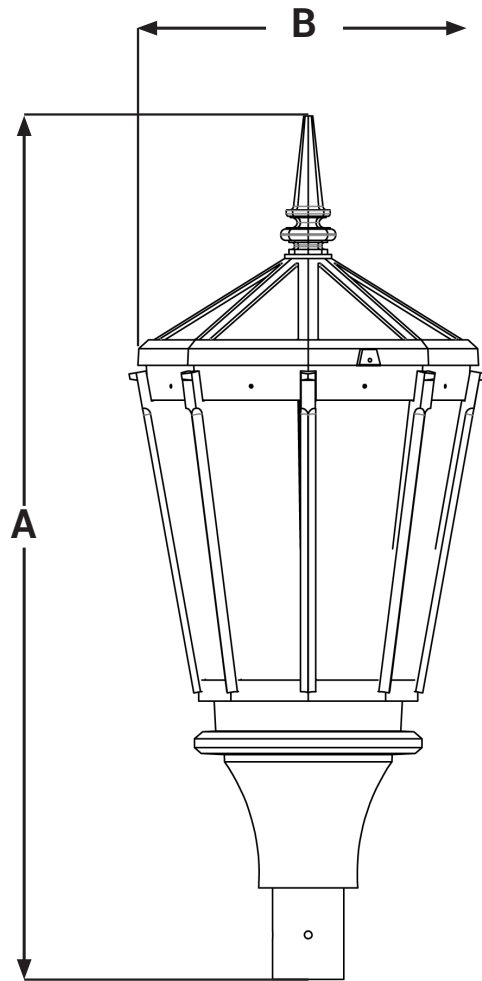
701 Kingshill Place, Carson, CA 90746  
Call Us Today (310) 341-2037

[nlsighting.com](http://nlsighting.com)

# PRODUCT SPECIFICATIONS

**WILSHIRE LUMEN DATA CHART**

PART NUMBER	T3 LUMENS	T3 LM/W	T5 LUMENS	T5 LM/W	Watts
WIL-16L-35-30K7	1782	99	1746	97	18
WIL-16L-35-40K7	1872	104	1818	101	18
WIL-16L-35-50K7	1944	108	1890	105	18
WIL-16L-53-30K7	2772	99	2716	97	28
WIL-16L-53-40K7	2912	104	2828	101	28
WIL-16L-53-50K7	3024	108	2940	105	28
WIL-32L-35-30K7	3267	99	3201	97	33
WIL-32L-35-40K7	3432	104	3333	101	33
WIL-32L-35-50K7	3564	108	3465	105	33
WIL-32L-53-30K7	5398	99	5238	97	54
WIL-32L-53-40K7	5616	104	5454	101	54
WIL-32L-53-50K7	5832	108	5670	105	54
WIL-48L-35-30K7	5049	99	4947	97	51
WIL-48L-35-40K7	5304	104	5151	101	51
WIL-48L-35-50K7	5508	108	5352	105	51
WIL-48L-53-30K7	7920	99	7760	97	80
WIL-48L-53-40K7	8320	104	8080	101	80
WIL-48L-53-50K7	8640	108	8400	105	80



**OVER 2-3/8" TO 3"OD Ø**

DIMENSION	WIL
<b>A</b>	42.5 in
<b>B</b>	16.75 in