

Project Name:	Type:
Part Number:	Date:

INNOFIT 4" COMMERCIAL DOWNLIGHT

SPECIFICATION FEATURES

- **Mechanical** - INNOFIT, with integrated driver, retrofits existing commercial housings and is field accessible from below the ceiling. Stainless steel spring action clips accommodate 1/2" to 2" ceiling thicknesses.
- **Electrical** - Field select from three lumen outputs using SelectDrive technology. Universal 120-277V, 50/60 Hz drivers. Non-dimmable.
- **Optical** - Self flanged, spun aluminum reflector in matte white finish. High resistance polycarbonate optical lens, with smooth diffusion. 90° beam angle. High end white finish polycarbonate baffle trim for pleasant aesthetic. Available in 2700K, 3000K, 3500K or 4000K, with Minimum 80CRI.
- **Thermal** - Die cast heat sink maximizes passive thermal management and achieves a L70 rated lifetime of 40,000 hours. Fixture Operating Temperature: -13°F to 95°F (-25°C to 35°C).
- **Compliance and Warranty** - cULus Listed and Classified for damp locations. Not for use where directly exposed to weather or water. IC Rated for direct contact with insulation. 5 year parts warranty for complete fixture. Optional 10 Year Extended Warranty available, subject to same terms, conditions and installation requirements as standard 5 Year Warranty.



052421



BENEFITS

- Field select lumen output with SelectDrive
- Quick and easy installation with spring action clips
- Universal housing compatibility
- Universal 120-277V, 50/60 Hz drivers
- Available in 2700K, 3000K, 3500K & 4000K CCT

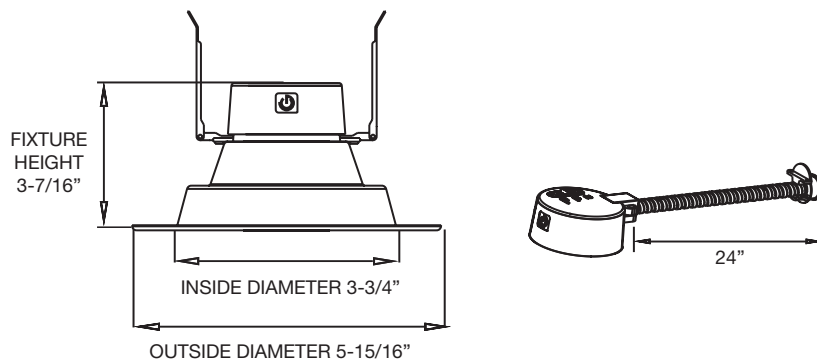
APPLICATIONS

- Commercial
- Educational
- Retail
- Hospitality

ORDERING INFORMATION

Series	Size	CRI	CCT	Dimming
<input checked="" type="checkbox"/> 14CDLA Commercial Downlight 14W Adjustable	<input checked="" type="checkbox"/> 4 4"	<input checked="" type="checkbox"/> 8 CRI 80	<input type="checkbox"/> 27 2700K	<input checked="" type="checkbox"/> 277V 120-277V Non-Dimmable
			<input type="checkbox"/> 30 3000K	
			<input type="checkbox"/> 35 3500K	
			<input type="checkbox"/> 40 4000K	

LINE DRAWINGS



Ceiling Cutout	
Minimum	Maximum
Ø4"	Ø5-1/4"

New Construction Frame Ceiling Cutout	
Minimum	Maximum
Ø4-7/8"	Ø5-5/8"



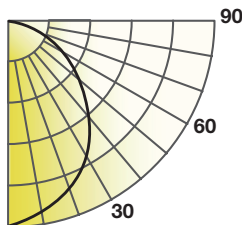
INNOFIT 4" COMMERCIAL DOWNLIGHT

TECHNICAL INFORMATION

Dimming	Input Voltage	Input Frequency	Input Current	Input Power	THD Power	Power Factor
Non Dimmable	120-277V	50 / 60Hz	0.12 / 0.08 / 0.05A	6 / 9 / 14W	<20%	>0.9

PHOTOMETRY

14CDLA4/835/277V (HIGH LUMEN OUTPUT SETTING)



Lumens: 1134 lm
 Power: 14 W
 Efficacy: 83 lm/W
 CRI: 80+
 Spacing Criteria: 1.19
 Beam Angle: 96°

Candlepower Distribution	
Angle (°)	Average (cd)
0	499
5	497
15	472
25	425
35	363
45	279
55	187
65	103
75	34
85	7
90	0

Initial Footcandles		
Height (ft)	Fc	Diameter (ft)
8	12	14
9	9	16
10	7	18
12	5	21
15	3	27

Zonal Lumen Summary		
Zone	Lumens	%Fixture
0-30	405	33
0-40	631	53
0-60	1,012	87
0-90	1,134	100

Lumen Output Coefficient				
CCT	2700K	3000K	3500K	4000K
Low Lumen output	0.49	0.49	0.51	0.55
Med Lumen output	0.69	0.69	0.71	0.76
High Lumen output	0.97	0.97	1.00	1.07

PERFORMANCE

14CDLA4/8xx/277V

CCT	2700K			3000K			3500K			4000K		
	Low	Med	High	Low	Med	High	Low	Med	High	Low	Med	High
Output												
Lumens	560	780	1,099	561	781	1,100	578	805	1,134	620	863	1,216
LPW	93	87	79	94	87	79	96	89	81	103	96	87

10 YEAR EXTENDED WARRANTY

Model	INFT4/10YEARWARRANTY



INNOFIT 4" COMMERCIAL DOWNLIGHT

ACCESSORY ORDERING INFORMATION

Product	Model	Description	Pictures	Dimensions
58012	35EMINVERTER	35W Emergency Inverter (Field Installation)		
58013	35EMINVERTER/CEC	California Title 20 Compliant 35W Emergency Inverter (Field Installation)		
98569	GOOFRING4	4" Goof Ring - Outer Diameter 8-1/8"		
35121	NCFJB4	New Construction Frame for T-Grid ceilings and stud/joist mounting		
35126	NCFBFB	Field Installable Butterfly Brackets For New Construction Frame		
35125	NCFEMB	Field Installable Emergency Bracket For New Construction Frame		
98501	NCPLATE/T4689	New Construction Plate for T-Grid ceilings		
98502	NCPLATE468	New Construction Plate for Stud/Joist ceilings		
98583	NCPLATEJB	Junction box for New Construction Plates		
98003	23EMDRIVER	California Title 20 Compliant 23W Emergency LED Driver (Field Installation)		



INNOFIT 4" COMMERCIAL DOWNLIGHT

ORDERING GUIDE

Product	Model
57863	14CDLA4/827/277V
57864	14CDLA4/830/277V
57865	14CDLA4/835/277V
57866	14CDLA4/840/277V

Note: All rights reserved. All sizes and specifications are subject to change at any time without notice.