

Project Name:	Type:
Part Number:	Date:

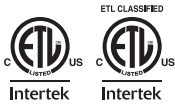
# THINFIT 8" COMMERCIAL DOWNLIGHT

## SPECIFICATION FEATURES

- **Mechanical** - Shallow die cast aluminum heat sink with a low profile external driver is ideal for new or remodel construction. Two rugged spring clips allow for both easy installation and field accessibility below the ceiling.
- **Electrical** - Externally mounted driver, 120 - 277V voltage, 50/60Hz, 0 - 10V dimming to 10%. Quick connect electrical connect in metal clad cable. Go to [www.greencreative.com](http://www.greencreative.com) for complete dimmer compatibility list.
- **Optical** - Edge lighting technology featuring a PMMA light guide plate and smooth polycarbonate lens ensures an even light emitting surface. Available in 3000K, 3500K and 4000K with a minimum of 90 CRI.
- **Thermal** - Die cast aluminum heat sink with its edge lighting design maximizes thermal dissipation. L70 rated lifetime of 50,000 hours. Fixture operating temperature: -4°F to 95°F (-25°C to 35°C)
- **Compliance and warranty** - ETL Classified and Listed for wet location. Certified air-tight per ASTM 283-04, IC rated for direct contact with insulation. 5 year parts warranty for complete fixture.



060623



## BENEFITS

- Quick and easy installation with spring action clip
- External driver with quick connector for easy wiring
- Suitable for shallow ceiling applications
- Install almost everywhere with Wet Location, IC and Air-tight ratings
- Edge lighting technology for gentle and smooth diffusion

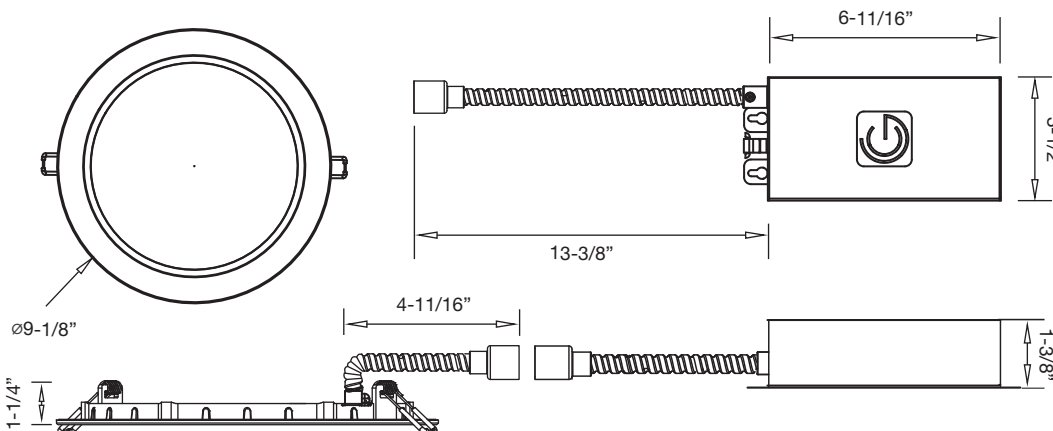
## APPLICATIONS

- Commercial
- Residential
- Educational
- Hospitality
- Retail

## ORDERING INFORMATION

Series	Size	CRI	CCT	Driver
<input checked="" type="checkbox"/> <b>24.5NCDL</b> New Construction Downlight 24.5W	<input checked="" type="checkbox"/> <b>R8DIM</b> 8"	<input checked="" type="checkbox"/> <b>9</b> CRI 90	<input type="checkbox"/> <b>30</b> 3000K <input type="checkbox"/> <b>35</b> 3500K <input type="checkbox"/> <b>40</b> 4000K	<input checked="" type="checkbox"/> <b>277V / EXT</b> 120 - 277V, 0-10V Dimmable to 10%

## LINE DRAWINGS



Ceiling Cutout	
Minimum	Maximum
Ø8-1/16"	Ø8-7/16"



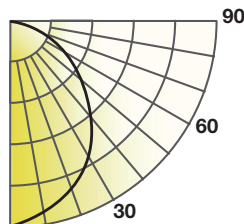
# THINFIT 8" COMMERCIAL DOWNLIGHT

## TECHNICAL INFORMATION

Dimming	Input Voltage	Input Frequency	Input Current	Input Power	THD Power	Power Factor
0-10V	120-277V	50 / 60Hz	0.20A	24.5W	<20%	>0.9

## PHOTOMETRY

24.5NCDLR8DIM/935/277V/EXT



Lumens: 2218 lm  
 Power: 24 W  
 Efficacy: 94 lm/W  
 CRI: 90+  
 Spacing Criteria: 1.26  
 Beam Angle: 102°

Candlepower Distribution	
Angle (°)	Average (cd)
0	758
5	754
15	728
25	674
35	599
45	502
55	394
65	280
75	157
85	35
90	0

Initial Footcandles		
Height (ft)	Fc	Diameter (ft)
8	12	25
9	9	28
10	8	31
12	5	37
15	3	46

Zonal Lumen Summary		
Zone	Lumens	%Fixture
0-30	589	27
0-40	966	44
0-60	1718	77
0-90	2218	100

Coefficient		
3000K	3500K	4000K
0.93	1.00	1.02

## PERFORMANCE

24.5NCDLR8DIM/9xx/277V/EXT

	3000K	3500K	4000K
CCT	3000K	3500K	4000K
Lumens	2062	2218	2256
LPW	88	94	96

## ORDERING GUIDE

Product	Model
98220	24.5NCDLR8DIM/930/277V/EXT
98221	24.5NCDLR8DIM/935/277V/EXT
98222	24.5NCDLR8DIM/940/277V/EXT



# THINFIT 8" COMMERCIAL DOWNLIGHT

ACCESSORY ORDERING INFORMATION				
Product	Model	Description	Pictures	Dimenions
98981	NCDL8RPLATE	8" THINFIT EXT Series New Construction Plate for Stud/Joist Mounting		
98501	NCPLATE/T4689	New Construction or Remodel Plate for T-Grid Ceilings		
98238	DLNC8GOOF/R	8" THINFIT EXT Series GOOF RING		
98365	NCDLR8TRIMBL	8" THINFIT EXT Series Black Trim		
98366	NCDLR8TRIMBN	8" THINFIT EXT Series Brushed Nickel Trim		
98367	NCDLR8TRIMBZ	8" THINFIT EXT Series Bronze Trim		
58012	35EMINVERTER	35W Emergency Inverter (Field Installation)		
58013	35EMINVERTER/CEC	California Title 20 Compliant 35W Emergency Inverter (Field Installation)		
98003	23EMDRIVER	California Title 20 Compliant 23W Emergency LED Driver (Field Installation)		

Note: All rights reserved. All sizes and specifications are subject to change at any time without notice.