

Project Name:	Type:
Part Number:	Date:

CDL 9.5" 30W COMMERCIAL DOWNLIGHT

SPECIFICATION FEATURES

- Mechanical** - The CDL commercial downlight with external driver junction box retrofits existing commercial housings and is field accessible from below the ceiling. Stainless steel spring action clips accommodate 1/2" to 1-1/2" ceiling thicknesses.
- Electrical** - Universal 120-277V, 50/60Hz flicker free driver in external driver junction box dims to 5% using electrically isolated 0-10V circuit. Metal clad cable with quick connect wire harness for easy wiring installation.
- Optical** - Self flanged spun aluminum reflector with white painted trim flange. High resistance polycarbonate optical lens, with smooth diffusion. 90° beam angle. LED emitters binned to 4 step SDCM and available 3000K, 3500K, and 4000K CCT. Minimum 80 CRI.
- Thermal** - Die cast heat sink maximizes passive thermal management and achieves a L70 rated lifetime of 50,000 hours. Fixture Operating Temperature: -13°F to 95°F (-25°C to 35°C).
- Compliance and Warranty** - cULus Classified for damp locations. For use under covered ceilings where not directly exposed to weather or water. 5 year parts warranty for complete fixture.



033021



BENEFITS

- Quick and easy installation - quick connectors and pre-wired conduit
- Fits existing architectural and commercial housing
- Universal 120-277V, 0-10V isolated dimmable driver
- Available in 3000K, 3500K & 4000K CCT

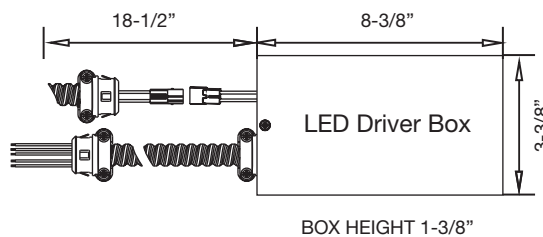
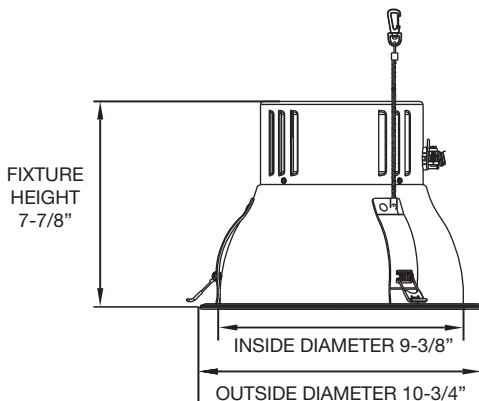
APPLICATIONS

- Commercial
- Architectural
- Retail
- Hospitality
- Educational

ORDERING INFORMATION

Series	Size	Dimming	CRI	CCT	Voltage	Option
<input checked="" type="checkbox"/> 30CDL Commercial Downlight 30W	<input checked="" type="checkbox"/> 9.5 9.5"	<input checked="" type="checkbox"/> DIM 0-10V Dimming	<input checked="" type="checkbox"/> 80 CRI 80	<input type="checkbox"/> 30 3000K	<input checked="" type="checkbox"/> 277V 120-277V Universal Voltage	<input type="checkbox"/> EM 10W Emergency Back-up
				<input type="checkbox"/> 35 3500K		<input type="checkbox"/> EM-CEC California Title 20 Compliant 10.7W Emergency Backup
				<input type="checkbox"/> 40 4000K		

LINE DRAWINGS



Ceiling Cutout	
Minimum	Maximum
Ø9-1/2"	Ø10-3/16"

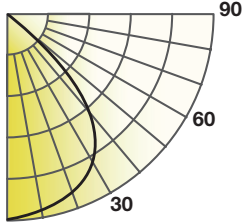
CDL 9.5" 30W COMMERCIAL DOWNLIGHT

TECHNICAL INFORMATION

Dimming	Input Voltage	Input Frequency	Input Current	Input Power	THD Power	Power Factor
0-10V	120-277V	50 / 60Hz	0.26A	31W	<20%	>0.9

PHOTOMETRY

30CDL9.5/DIM835/277V



Lumens: 2,906 lm
 CBCP: 1,477 cd
 Power: 31 W
 Efficacy: 95 lm/W
 CRI: 83
 Spacing Criteria: 1.3
 Beam Angle: 90°

Candlepower Distribution	
Angle (°)	Average (cd)
0	1,477
5	1,471
15	1,433
25	1,343
35	1,086
45	739
55	337
65	105
75	45
85	5
90	0

Initial Footcandles		
Height (ft)	Fc	Diameter (ft)
8	34	16
10	22	20
12	15	24
15	10	30
20	5	40

Zonal Lumen Summary		
Zone	Lumens	%Fixt
0-30	1,161	40
0-40	1,850	64
0-60	2,732	94
0-90	2,901	100

Performance Data 24CDL8/DIM8xx/277V			
CCT	3000K	3500K	4000K
Lumens	2,862	2,906	2,977
LPW	95	95	97

ORDERING GUIDE

Product	Model
35138	30CDL9.5DIM/830/277V
35139	30CDL9.5DIM/835/277V
35140	30CDL9.5DIM/840/277V

Note: All rights reserved. All sizes and specifications are subject to change at any time without notice.