

# C-CP-B-BRQ-SCCT Series

Quick Connect LED Canopy Light | Field Selectable CCT & Wattage

Replaces up to 250W PSMH



## INSTALLS IN A FLASH

Our cULus Listed C-Lite Quick Connect LED Canopy Light delivers up to 10,300 lumens and allows you to select between 3000K, 4000K, and 5000K color temperature options and 4 wattages per fixture. Enjoy a fast installation with an included quick-mount bracket.



## PRODUCT SPECIFICATIONS

### OVERVIEW

- Initial Delivered Lumens: Up to 10,300
- CRI: ≥ 70
- CCT: Field Selectable (3000K/4000K/5000K)
- Max. Input Power: 26W (**S3L**), 42W (**S5L**), 61W (**S7L**) and 83W (**S10L**)
- Dimmable: Yes
- Estimated L70 Lifetime @ 25°C: > 100,000 Hours
- Operating Temperature Range: -40°F to -104°F (-20°C to 40°C)
- Power Factor: ≥0.9 at full load
- Total Harmonic Distortion: < 20% at full load
- Limited Warranty: 5-Year\*
- Replaces: 100W PSMH (**S3L**), 150W PSMH (**S5L & S7L**) and 250W PSMH (**S10L**)

FEATURES	RECOMMENDED USE	INPUT VOLTAGE
<ul style="list-style-type: none"> <li>• FCC Part 15, Subpart B, Class A limits for conducted and radiated emissions</li> <li>• Quick connect mount for easy install</li> <li>• Choose between 4 wattages and 3 color temperatures per fixture</li> </ul>	<ul style="list-style-type: none"> <li>• Exterior Canopies</li> <li>• Perimeter Lighting</li> <li>• Commercial Lighting</li> </ul>	<ul style="list-style-type: none"> <li>• Universal (120V - 277V)</li> </ul>

### ORDERING INFORMATION

Example SKU: C-CP-B-BRQ-S10L-SCCT-DB

C-CP-B	BRQ	FIELD SELECTABLE WATTAGE/LUMEN PACKAGE*		SCCT	COLOR
PRODUCT	STYLE	FIELD SELECTABLE WATTAGE/LUMEN PACKAGE*		FIELD SELECTABLE CCT	COLOR
<b>C-CP-B</b>	<b>BRQ</b> Bracket Canopy	<b>S3L</b> 3350 Lumens (26W)** 3050 Lumens (23W) 2120 Lumens (16W) 1190 Lumens (9W)	<b>S7L</b> 7700 Lumens (61W)** 6850 Lumens (55W) 4620 Lumens (37W) 2380 Lumens (19W)	Warm White (3000K) Neutral White (4000K*) Cool White (5000K)	<b>DB</b> Dark Bronze <b>WH</b> White
		<b>S5L</b> 5550 Lumens (42W)** 4770 Lumens (37W) 3220 Lumens (25W) 1810 Lumens (14W)	<b>S10L</b> 10,300 Lumens (83W)** 8950 Lumens (72W) 6075 Lumens (49W) 3230 Lumens (26W)		

\* Lumen output at 4000K CCT. 3000K lumen multiplier is 0.90, and 5000K lumen multiplier is 0.95.

\*\* Default settings at time of shipping are highest product wattage and 4000K.

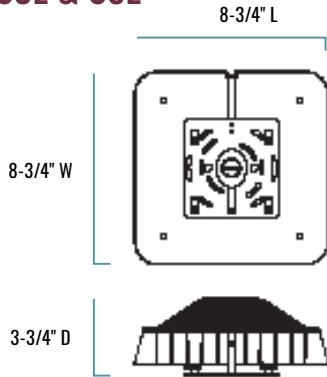
### CERTIFICATIONS:

**CA RESIDENTS WARNING:** Cancer and Reproductive Harm – [www.p65warnings.ca.gov](http://www.p65warnings.ca.gov)

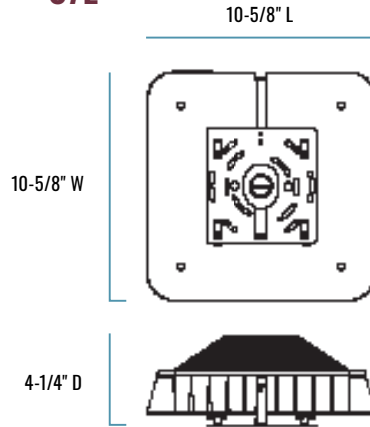


# C-CP-B-BRQ-SCCT Series

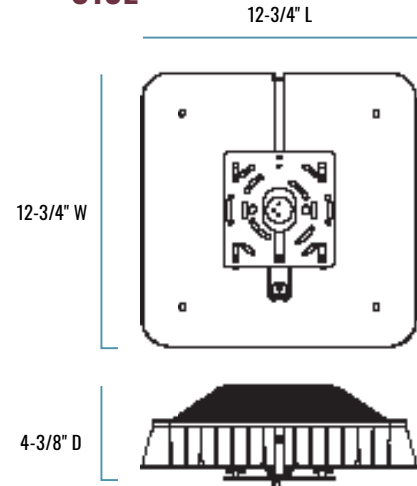
## S3L & S5L



## S7L



## S10L



### SERIES OVERVIEW

DIMENSIONS	PRODUCT WEIGHT	MOUNTING HEIGHT	SPACING
<b>C-CP-B-BRQ-S3L &amp; S5L:</b> 8-3/4" L x 8-3/4" W x 3-3/4" D	4 lbs. ( <b>S3L</b> ), 4.19 lbs. ( <b>S5L</b> )	10-15 feet	3 to 4 times the mounting height
<b>C-CP-B-BRQ-S7L:</b> 10-5/8" L x 10-5/8" W x 4-1/4" D	5.7 lbs.	15-25 feet	
<b>C-CP-B-BRQ-S10L:</b> 12-3/4" L x 12-3/4" W x 4-3/8" D	12.13 lbs.		

### FIXTURE SPECIFICATIONS

<b>HOUSING</b>	UV-resistant powder coated die-cast aluminum housing; dark bronze or white finish
<b>LENS ASSEMBLY</b>	UV-stabilized, high impact polycarbonate diffuser lens
<b>MOUNTING</b>	Easy, user-friendly installation with included quick mount bracket directly mounts to a 3-1/2" octagonal, 4" square or 4" octagonal junction box

### LUMINAIRE AND ELECTRICAL PERFORMANCE

OPERATING TEMPERATURE RANGE	ESTIMATED L <sub>70</sub> LIFETIME @ 25°C (77°F)	POWER FACTOR	TOTAL HARMONIC DISTORTION	DIMMABLE
-40°F to 104°F (-40°C to 40°C)	>100,000 Hours	> 0.9 at full load	< 20% at full load	Yes, 0-10V

SKU	DISTRIBUTION	BUG RATINGS*	SYSTEM WATTS	CURRENT DRAW (AMPS)			
				120V	208V	240V	277V
C-CP-B-BRQ-S3L-SCCT-DB	Type V – Circular, All around 360° coverage	B1-U2-G1	26W	0.20	0.12	0.10	0.09
C-CP-B-BRQ-S3L-SCCT-WH		B1-U2-G1	26W	0.20	0.12	0.10	0.09
C-CP-B-BRQ-S5L-SCCT-DB		B2-U3-G1	42W	0.33	0.19	0.17	0.14
C-CP-B-BRQ-S5L-SCCT-WH		B2-U3-G1	42W	0.33	0.19	0.17	0.14
C-CP-B-BRQ-S7L-SCCT-DB		B3-U3-G2	61W	0.48	0.28	0.24	0.21
C-CP-B-BRQ-S7L-SCCT-WH		B3-U3-G2	61W	0.48	0.28	0.24	0.21
C-CP-B-BRQ-S10L-SCCT-DB		B3-U3-G2	83W	0.65	0.38	0.33	0.28
C-CP-B-BRQ-S10L-SCCT-WH		B3-U3-G2	83W	0.65	0.38	0.33	0.28

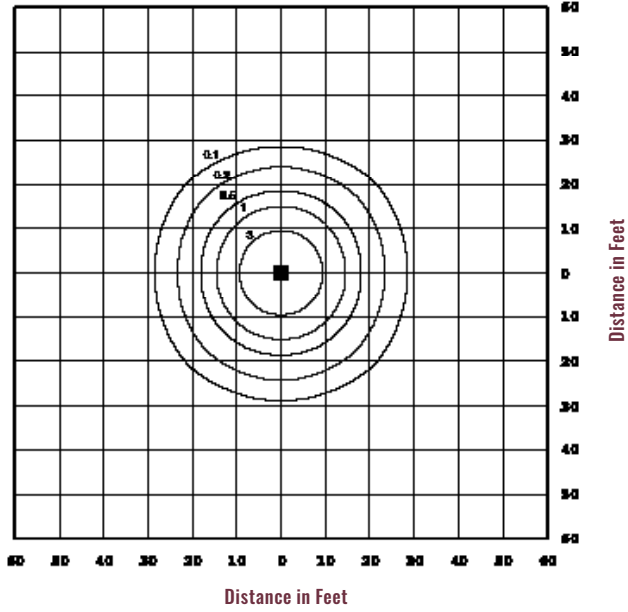
\* For more information on the IES BUG (Backlight-Uplight-Glare) Rating visit: <https://www.ies.org/wp-content/uploads/2017/03/TM-15-11BUGRatingsAddendum.pdf>. Valid with no tilt.

# C-CP-B-BRQ-SCCT Series

## ISO PLOT CHART

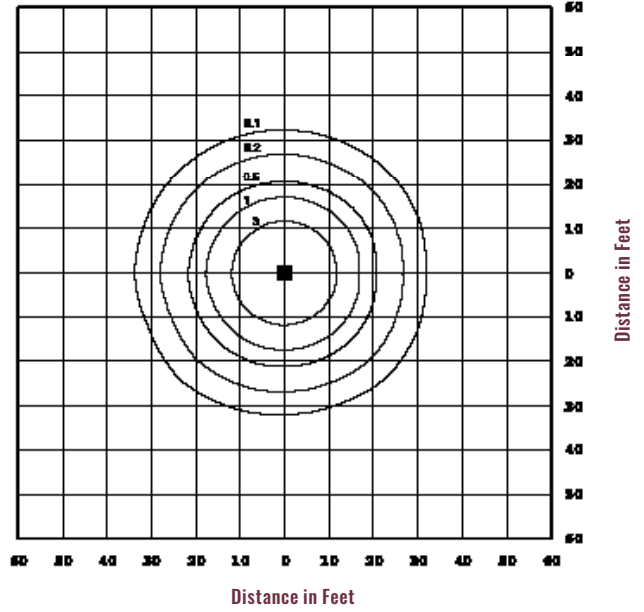
### C-CP-B-BRQ-3L (4000K)

Mounting Height: 10'



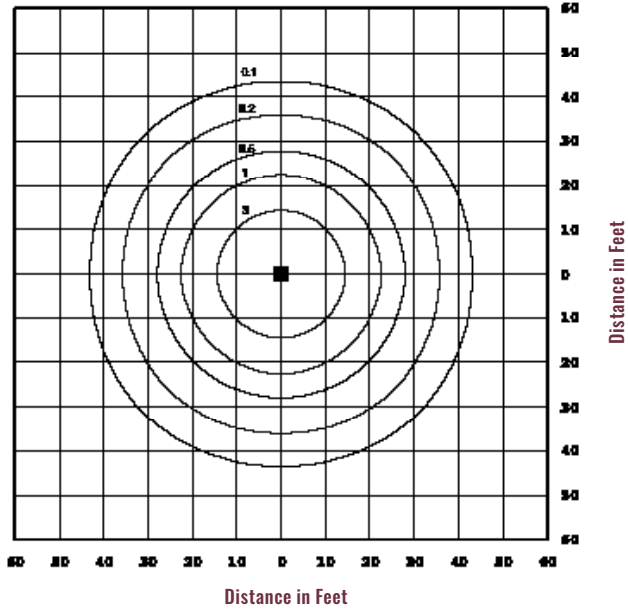
### C-CP-B-BRQ-5L (4000K)

Mounting Height: 10'



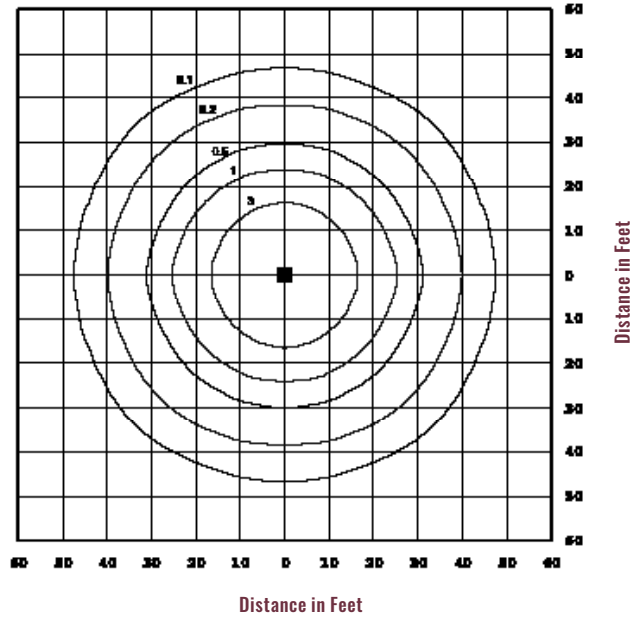
### C-CP-B-BRQ-7L (4000K)

Mounting Height: 15'



### C-CP-B-BRQ-10L (4000K)

Mounting Height: 15'



**Note:** All published photometric testing performed to IES LM-79 standards. Fixture photometry was completed on a single representative fixture. Foot candle levels are noted inside graph.

## WARRANTY AND CERTIFICATIONS

WARRANTY	cULus LISTED	DLC
5-Year Limited*	Wet Locations	3L & 5L: Premium, 5.1 7L & 10L: Standard

© 2022 Cree Lighting, A company of IDEAL INDUSTRIES. All rights reserved. For informational purposes only. Content is subject to change. Patent [www.creelighting.com/patents](http://www.creelighting.com/patents). C-Lite and the C-Lite logo are registered trademarks of Cree Lighting. The UL logo is a registered trademark of UL LLC. The DLC QPL logo and the DLC QPL Premium logo are registered trademarks of Northeast Efficiency Partnerships, Inc.

US: [creelighting.com](http://creelighting.com), [e-conolight.com](http://e-conolight.com)

Distribution/Sales: 855-617-2733 Customer Service: 888-243-9445

Rev. Date: 07/05/2022

For informational purposes only. Content is subject to change. \*See [creelighting.com/resources/warranties](http://creelighting.com/resources/warranties)

**C-LITE**  
LED LIGHTING