

C-WP-A-FCA Series

Cutoff LED Wall Pack
Replaces up to 400W MH



REDUCED GLARE, REDUCED COST

Our cULus Listed C-Lite Cutoff LED Wall Pack delivers up to 14,500 lumens and is available in 4000K and 5000K. It's estimated to last over 100,000 hours of maintenance-free operation, and it features a proprietary optical control to help reduce glare, plus 4 x 1/2 inch knockouts located on any side of the back box, making for an easy installation.



PRODUCT SPECIFICATIONS

OVERVIEW

- Initial Delivered Lumens: 3400 - 14,500 Lumens
- CRI: ≥ 70
- CCT: 4000K, 5000K
- Mounting height: 12-20 feet (C-WP-A-FCA-03, 05)
12-25 feet (C-WP-A-FCA-09, 14)
- Input Power: 22W, 41W, 62W and 104W
- Dimmable: Yes, 0-10V dimming capable.
- Operating Temperature Range: -40°F to 104°F (-40°C to 40°C)
- Estimated L70 Lifetime @ 25°C: >100,000 hours
- Power Factor: > 0.9
- Total Harmonic Distortion: < 20%
- Limited Warranty: 5 Years*
- Replaces up to 400MH

FEATURES	RECOMMENDED USE	INPUT VOLTAGE
<ul style="list-style-type: none"> • Replaces 400-watt Pulse Start Metal Halide (PSMH) • Cutoff LED Wall Pack designed with proprietary optical control to help reduce glare • Extremely energy efficient 	<ul style="list-style-type: none"> • Security • Perimeter • Commercial 	<ul style="list-style-type: none"> • Universal (120V through 277V Operation)

ORDERING INFORMATION

Example: C-WP-A-FCA-03-40K-DB

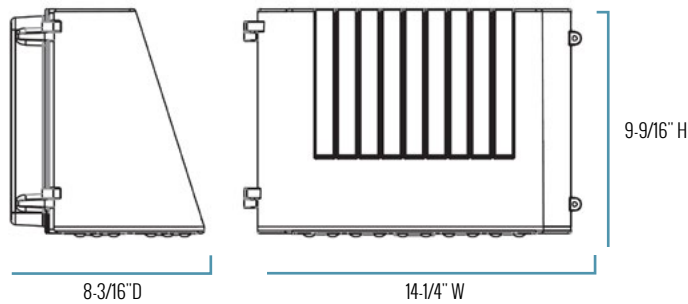
C-WP					
PRODUCT	SERIES	TYPE	LUMEN PACKAGE	CCT	HOUSING COLOR
C-WP	A	FCA Cutoff LED Wall Pack	03 3400L, 22W 05 5700L, 41W 09 9000L, 62W 14 14,100-14,500L, 104W	40K Neutral White (4000K) 50K Cool White (5000K)	DB Dark Bronze

CERTIFICATIONS-

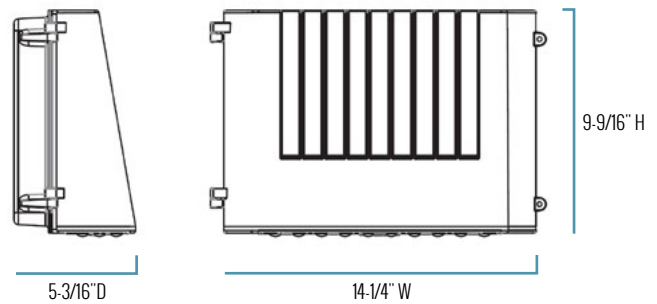


C-WP-A-FCA Series

C-WP-A-FCA-14



C-WP-A-FCA-03, 05, 09



SERIES OVERVIEW

DIMENSIONS	PRODUCT WEIGHT	MOUNTING HEIGHT	SPACING
(C-WP-A-FCA-14) 14-1/4" W x 8-3/16" D x 9-9/16" H	9.25 lbs.	12-25 feet	3x mounting height
(C-WP-A-FCA-03, 05, 09) 14-1/4" W x 5-3/16" D x 9-9/16" H	6.5 - 7 lbs.	12-20 feet	

FIXTURE SPECIFICATIONS

HOUSING	Die-cast aluminum housing with dark bronze finish
LENS ASSEMBLY	UV stabilized polycarbonate lens
MOUNTING	Designed to be surface mounted to a wall. Can be installed over an existing j-box or fixture can be powered by running surface conduit into one of the 4 x 1/20-inch knockouts located on any side of the back box.

ELECTRICAL PERFORMANCE

OPERATING TEMPERATURE RANGE	ESTIMATED L70 LIFETIME @ 25°C (77°F)	POWER FACTOR	TOTAL HARMONIC DISTORTION
-40°F to 104°F (-40°C to 40°C)	>100,000 Hours	>0.9	<20%

SKU	REPLACES	DISTRIBUTION	LUMEN OUTPUT	BUG RATINGS*	SYSTEM WATTS	CURRENT DRAW (AMPS)			
						120V	208V	240V	277V
C-WP-A-FCA-14-50K-DB	400W MH	Type III	14,500	B3-U2-G3	104W	0.86	0.50	0.43	0.37
C-WP-A-FCA-14-40K-DB			14,100	B3-U2-G3		0.86	0.50	0.43	0.37
C-WP-A-FCA-09-50K-DB	250W MH		9000	B3-U2-G3	62W	0.51	0.30	0.26	0.22
C-WP-A-FCA-09-40K-DB				B2-U2-G2		0.51	0.30	0.26	0.22
C-WP-A-FCA-05-50K-DB	150W PSMH		5700	B2-U2-G2	41W	0.34	0.20	0.17	0.15
C-WP-A-FCA-05-40K-DB				B2-U2-G2		0.34	0.20	0.17	0.15
C-WP-A-FCA-03-50K-DB	100W PSMH		3400	B1-U1-G1	22W	0.18	0.10	0.09	0.08
C-WP-A-FCA-03-40K-DB				B1-U2-G1		0.18	0.10	0.09	0.08

* For more information on the IES BUG (Backlight-Uplight-Glare) Rating visit: <https://www.ies.org/wp-content/uploads/2017/03/TM-15-11BUGRatingsAddendum.pdf>. Valid with no tilt.




C-WP-A-FCA Series

WARRANTY AND CERTIFICATIONS

WARRANTY	cULus LISTED	DLC	DIMMABLE
5 Year Limited*	Wet Locations	Premium	Yes, 0-10V

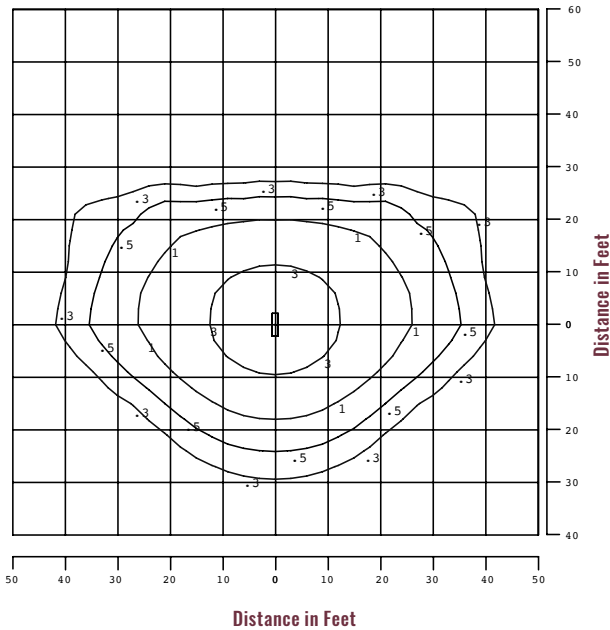
ACCESSORIES

	UNIVERSAL BUTTON PHOTOCELL (120V-277V)
	<p>SKU: JL-423CZ</p> <p>USE: Photocell is field installed and drilling of the back box is required.</p>

ISO PLOT CHART

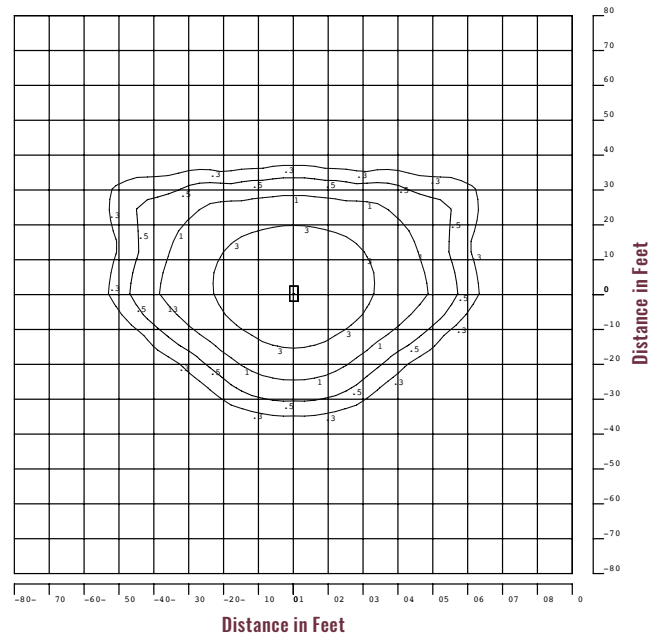
C-WP-A-FCA-05-50K-DB

Mounting height: 15'
 IES Classification: Type III
 Longitudinal Classification Medium



C-WP-A-FCA-14-50K-DB

Mounting height: 20'
 IES Classification: Type III
 Longitudinal Classification Medium



Note: All published photometric testing performed to IES LM-79-08 standards. Fixture photometry was completed on a single representative fixture. Foot candle levels are noted inside graph. [Visit e-conolight.com](http://www.e-conolight.com) for the latest EPA data.

© 2022 Cree Lighting, A company of IDEAL INDUSTRIES. All rights reserved. For informational purposes only. Content is subject to change. Patent www.creelighting.com/patents. C-Lite and the C-Lite logo are registered trademarks of Cree Lighting. Due to continuous product improvement, information in this document is subject to change. The cULus logo is a registered trademark of UL LLC. The DLC QPL logo and the DLC QPL Premium logo are registered trademarks of Northeast Efficiency Partnerships, Inc.