

C-FL-A-FLW Series

LED Flood Light with Field Selectable CCT and Wattage

Replaces up to 400W PSMH



DESIGNED AND BUILT TO LAST

The C-FL-A-FLW Series LED Flood Light has field selectable CCT (3000K, 4000K or 5000K) and wattage with the flip of a switch. It's a NEMA® 7x7 Flood with a beam angle of 115°(included angle between points of 50% max intensity). It's shatter resistant tempered glass lens won't yellow or crack over time and it's durable die-cast aluminum housing will help dissipate the heat to ensure a long life. cULus Listed for wet locations, mounting installed prior to shipment to you and includes a 5-year limited warranty.



1/2-INCH ADJUSTABLE
FITTER MOUNT
(3L, 5L, 8L, 11L ONLY)

PRODUCT SPECIFICATIONS

OVERVIEW

- Max. Initial Delivered Lumens: 3500 (**S3L**); 5200 (**S5L**); 8300 (**S8L**); 11,200 (**S11L**); 17,700 (**S17L**); 22,300 (**S22L**)
- CRI: ≥ 70
- Selectable CCT: 3000K, 4000K, 5000K
- Max. Input Power: 22W (**S3L**), 35W (**S5L**), 54W (**S8L**), 75W (**S11L**), 130W (**S17L**), 150W (**S22L**)
- Dimmable: 0-10V dimming to 10%
- Power Factor: ≥0.9 at full load
- Total Harmonic Distortion: < 20% at full load
- Limited Warranty: 5-year*
- Replaces: 100W PSMH (**S3L, S5L**); 150W PSMH (**S8L**); 250W PSMH (**S11L**); 320W PSMH (**S17L**); 400W PSMH (**S22L**)



YOKE MOUNT

FEATURES	RECOMMENDED USE	INPUT VOLTAGE
<ul style="list-style-type: none"> • FCC Part 15, Subpart B, Class A limits for conducted and radiated emissions • Designed and built to last - product has surpassed rigorous Cree Lighting® testing • Selectable CCT and wattage with a small switch (see last page for more detail) • 4kV Surge Protection • Pre-installed mounting comes included • S3L, S5L and S8L packages come standard with button photocell 	<ul style="list-style-type: none"> • Building Facades • Signs and Monuments • Security 	<ul style="list-style-type: none"> • Universal (120V - 277V)



2-INCH ADJUSTABLE
FITTER MOUNT
(17L & 22L ONLY)

CERTIFICATIONS:

CA RESIDENTS WARNING: Cancer and Reproductive Harm – www.p65warnings.ca.gov



C-FL-A-FLW Series

ORDERING INFORMATION

Example SKU: C-FL-A-FLW-S3L-SCCT-FT-DB

C-FL-A	FLW			SCCT		DB
PRODUCT	STYLE	FIELD SELECTABLE WATTAGE/LUMEN PACKAGE*		FIELD SELECTABLE CCT	MOUNTING	COLOR
C-FL-A	FLW Wide Flood Light	S3L 3500 Lumens (22W)** 2420 Lumens (16W) 1570 Lumens (10W)	S11L 11,200 Lumens (75W)** 9925 Lumens (63W) 7350 Lumens (45W)	SCCT 3000K (Warm White) 4000K (Neutral White)** 5000K (Cool White)	FT 1/2-inch Adjustable Fitter Mount (3L, 5L, 8L & 11L ONLY) YK Adjustable Yoke Mount 2ADJ 2-inch Adjustable Fitter Mount (17L & 22L ONLY) - Includes knockout for field-installed button photocell accessory	DB Dark Bronze

* Lumen output at 4000K CCT. 3000K lumen multiplier is 0.91, and 5000K lumen multiplier is 0.96.

** Default settings at time of shipping are highest product wattage and 4000K.

LUMINAIRE AND ELECTRICAL PERFORMANCE

OPERATING TEMPERATURE RANGE	ESTIMATED L ₇₀ LIFETIME @ 25°C (77°F)	POWER FACTOR	TOTAL HARMONIC DISTORTION
-40°F to 104°F (-40°C to 40°C)	> 100,000 hours	≥0.9 at full load	< 20% at full load

LUMEN PACKAGE	INITIAL DELIVERED LUMENS			SYSTEM WATTS	CURRENT DRAW (AMPS)			
	3000K	4000K	5000K		120V	208V	240V	277V
C-FL-A-FLW-S3L	3190	3500*	3360	22	0.19	0.11	0.10	0.09
	2200	2420	2320	16	0.15	0.09	0.07	0.06
	1430	1570	1510	10	0.09	0.05	0.05	0.04
C-FL-A-FLW-S5L	4730	5200*	4990	35	0.32	0.19	0.17	0.15
	3860	4240	4070	28	0.26	0.15	0.13	0.11
	2600	2860	2750	18	0.17	0.10	0.08	0.07
C-FL-A-FLW-S8L	7550	8300*	7975	54	0.48	0.28	0.24	0.22
	5925	6500	6250	41	0.38	0.22	0.19	0.16
	4090	4490	4310	27	0.25	0.14	0.13	0.11
C-FL-A-FLW-S11L	10,200	11,200*	10,750	75	0.61	0.35	0.31	0.27
	9025	9925	9525	63	0.58	0.34	0.29	0.25
	6700	7350	7050	45	0.42	0.24	0.21	0.18
C-FL-A-FLW-S17L	16,100	17,700*	17,000	130	1.07	0.60	0.52	0.46
	12,825	14,100	13,525	93	0.86	0.50	0.43	0.37
	9625	10,575	10,150	67	0.62	0.36	0.31	0.27
C-FL-A-FLW-S22L	21,100	22,300*	23,300	150	1.18	0.68	0.60	0.53
	15,800	17,400	16,700	113	1.05	0.60	0.52	0.43
	11,875	13,050	12,525	82	0.76	0.44	0.38	0.33

* Default settings at time of shipping are highest lumen output and 4000K.

C-FL-A-FLW Series

SERIES OVERVIEW

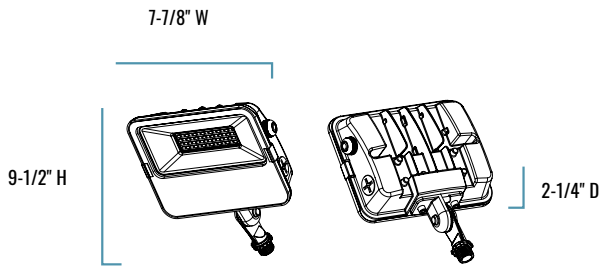
DIMENSIONS	PRODUCT WEIGHT	MOUNTING HEIGHT
C-FL-A-FLW-S3L_S5L w/FT 2-1/4" D x 7-7/8" W x 9-1/2" H	2.35 lbs.	C-FL-A-FLW-S3L: 10 to 15 feet
C-FL-A-FLW-S3L_S5L w/YK 2-1/4" D x 7-7/8" W x 8-3/4" H	S3L: 2.35 lbs.	
	S5L: 2.8 lbs.	
C-FL-A-FLW-S8L_S11L w/FT 2-1/2" D x 10-1/4" W x 12-1/2" H	S8L: 4.37 lbs.	C-FL-A-FLW-S5L, S8L & S11L: 15 to 25 feet
	S11L: 4.41 lbs.	
C-FL-A-FLW-S8L_S11L w/YK 2-1/2" D x 10-1/4" W x 11-3/4" H	S8L: 4.74 lbs.	
	S11L: 4.84 lbs.	
C-FL-A-FLW-S17L_S22L w/2ADJ 3-1/4" D x 12-1/2" W x 17-1/2" H	S17L: 9.44 lbs.	C-FL-A-FLW-S17L & S22L: >25 feet
	S22L: 9.93 lbs.	
C-FL-A-FLW-S17L_S22L w/YK 3-1/2" D x 12-1/2" W x 14-7/8" H	S17L: 9.49 lbs.	
	S22L: 10.19 lbs.	

FIXTURE SPECIFICATIONS

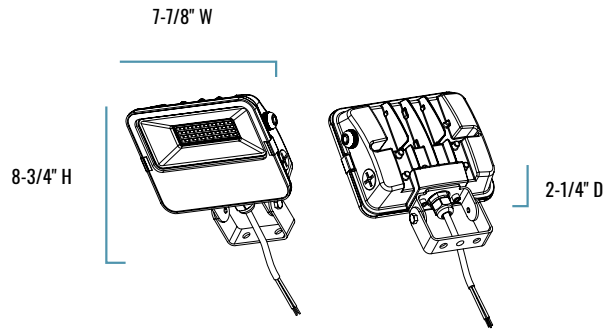
HOUSING	Dark bronze, durable die-cast aluminum housing
LENS ASSEMBLY	Shatter resistant tempered glass lens (won't yellow or crack over time)
MOUNTING	FT: 1/2-inch adjustable fitter mount (comes with 7-inch wires) 2ADJ: 2-inch adjustable fitter mount for 2-3/8" O.D. Tenon (comes with 7 inch wires) YK: Adjustable yoke mount (3-feet of 3-wire cord)

C-FL-A-FLW Series

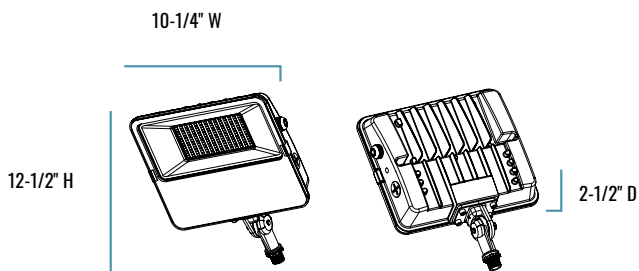
C-FL-A-FLW-S3L_5L-SCCT-FT



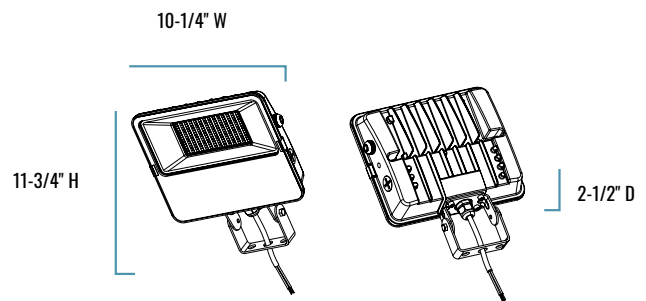
C-FL-A-FLW-S3L_5L-SCCT-YK



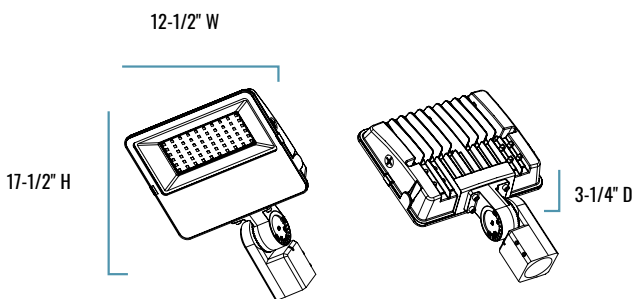
C-FL-A-FLW-S8L_11L-SCCT-FT



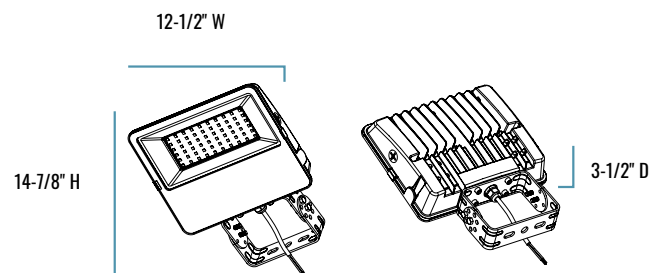
C-FL-A-FLW-S8L_11L-SCCT-YK



C-FL-A-FLW-S17L_22L-SCCT-2ADJ



C-FL-A-FLW-S17L_22L-SCCT-YK





C-FL-A-FLW Series

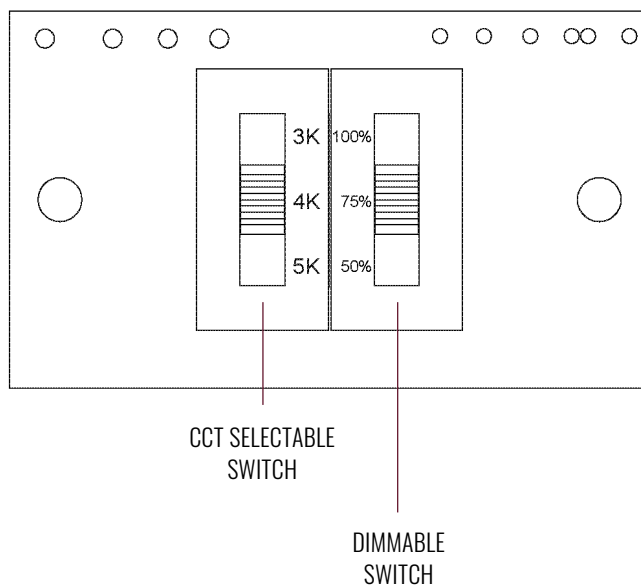
WARRANTY AND CERTIFICATIONS

WARRANTY	cULus LISTED	DLC
5-Year Limited	Wet Locations	5.1 Premium Refer to https://www.designlights.org/search/ for most current information.

ACCESSORIES

	<p>BUTTON PHOTOCELL</p> <p>SKU: JL-423CZ</p> <p>USE: For use only with 2ADJ (2" adjustable fitter) mount. 120-277V Operation, <1000W. Mounts to knockout in 2" adjustable fitter.</p>
	<p>CONDUIT SLIP FITTER</p> <p>SKU: E-ACMNH2DB</p> <p>USE: Dark bronze, conduit slip fitter, provides a threaded entry for 1/2-inch adjustable fitter and slips over 2-3/8" O.D. pipe or tenon..</p>

LOCATION OF SWITCHES



© 2023 Cree Lighting, A company of IDEAL INDUSTRIES. All rights reserved. For informational purposes only. Content is subject to change. Patent www.creelighting.com/patents. C-Lite and the C-Lite logo are registered trademarks of Cree Lighting. The cULus logo is a registered trademark of UL LLC. The DLC QPL logo and the DLC QPL Premium logo are registered trademarks of Northeast Efficiency Partnerships, Inc.

US: creelighting.com, e-conolight.com

Distribution/Sales: 855-617-2733 Customer Service: 888-243-9445

Rev. Date: V1 07/14/2023

For informational purposes only. Content is subject to change. *See creelighting.com/resources/warranties

C-LITE
LED LIGHTING