

C-WP-C-RDC Series

Cutoff LED Wall Pack | Field Selectable CCT & Wattage

Replaces up to 400W MH



UNLEASH VERSATILITY AND RELIABILITY

Illuminate your outdoor spaces with the exceptional performance and flexibility of our Cutoff LED Wall Pack. Designed to exceed expectations, this cutting-edge fixture combines field selectable wattage, CCT selection of 3000K, 4000K, or 5000K, and robust surge protection to safeguard against power surges. Tailor the brightness of your space to perfection with the field selectable wattage feature, allowing you to adjust the lighting output according to your specific requirements. Enjoy enhanced energy efficiency without compromising on illumination quality. Always backed by our standard 5-year warranty, this cULus Listed fixture is the perfect solution for a wide range of outdoor applications.

PRODUCT SPECIFICATIONS

OVERVIEW

- Initial Delivered Lumens: Up to 3300 Lumens (**S3L**), Up to 6000 Lumens (**S6L**), Up to 10,000 Lumens (**S10L**), Up to 16,000 Lumens (**S16L**)
- CRI: ≥ 70
- CCT: Field Selectable (3000K/4000K/5000K)
- Max. Input Power: 23W (**S3L**), 42W (**S6L**), 72W (**S10L**), 110W (**S16L**)
- Operating Temperature Range: -40°F to 104°F (-40°C to 40°C)
- Replaces: 100W PSMH (**S3L**), 175W MH (**S6L**), 250W PSMH (**S10L**), 400W MH (**S16L**),
- Estimated L₇₀ Lifetime @ 25°C: > 97,000 hours
- Power Factor: > 0.9 at full load
- Total Harmonic Distortion: < 20% at full load
- Limited Warranty: 5-Year*

FEATURES	RECOMMENDED USE	INPUT VOLTAGE
<ul style="list-style-type: none"> FCC Part 15, Subpart B, Class B limits for conducted and radiated emissions 3000K, 4000K or 5000K color temperature options 4kV surge protection 	<ul style="list-style-type: none"> Security Perimeter Commercial 	<ul style="list-style-type: none"> Universal (120V through 277V Operation)

CERTIFICATIONS:



CA RESIDENTS WARNING: Cancer and Reproductive Harm – www.p65warnings.ca.gov

Rev. Date: 07/24/2023

For informational purposes only. Content is subject to change. *See creelighting.com/resources/warranties

C-WP-C-RDC Series

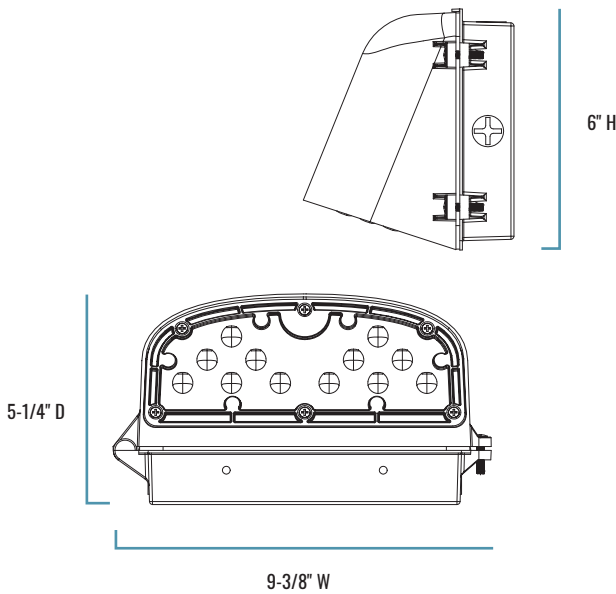
ORDERING INFORMATION

Example SKU: C-WP-C-RDC-S3L-SCCT-DB

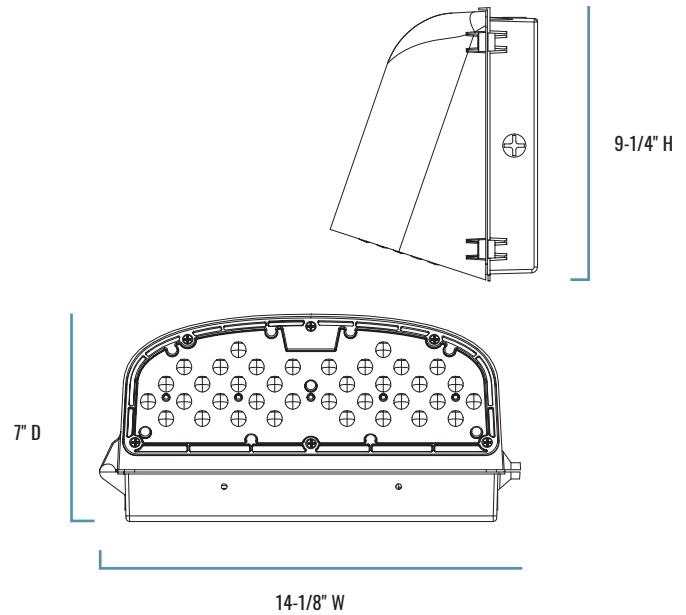
C-WP	C	RDC		SCCT	DB
PRODUCT	SERIES	TYPE	LUMEN PACKAGE*	FIELD SELECTABLE CCT	HOUSING COLOR
C-WP	C	RDC Round Cutoff	S3L Up to 3300 Lumens (Max input 23W) S6L Up to 6000 Lumens (Max input 42W) S10L Up to 10,000 Lumens (Max input 72W) S16L Up to 16,000 Lumens (Max input 110W)	SCCT Warm White (3000K) Neutral White (4000K)* Cool White (5000K)	DB Dark Bronze

*Default settings at time of shipping are highest product wattage and 4000K. Lumen output at full power at 4000K.

S3L & S6L



S10L & S16L



SERIES OVERVIEW

DIMENSIONS	PRODUCT WEIGHT	MOUNTING HEIGHT	SPACING
9-3/8" W x 5-1/4" D x 6" H (S3L & S6L)	3 lbs.	10-15 feet	2 to 3 times the mounting height
14-1/8" W x 7" D x 9-1/4" H (S10L & S16L)	5.6 lbs.		

C-WP-C-RDC Series

FIXTURE SPECIFICATIONS

HOUSING	Heavy duty die-cast aluminum with a durable powder coat dark bronze finish.
LENS ASSEMBLY	Integrated UV stabilized polycarbonate lens is designed to control the light and offer the most efficiency.
MOUNTING	1/2-inch threaded knockouts provided for conduit entry or mount over a recessed j-box. Knockouts are located on both sides and the top of the back box.

ELECTRICAL PERFORMANCE

OPERATING TEMPERATURE RANGE	ESTIMATED L ₇₀ LIFETIME @ 25°C (77°F)	POWER FACTOR	TOTAL HARMONIC DISTORTION
-40°F to 104°F (-40°C to 40°C)	> 97,000 Hours	> 0.9 at full load	< 20% at full load

LUMEN PACKAGE*	REPLACES	INITIAL DELIVERED LUMENS & BUG RATINGS PER TM-15-20				SYSTEM WATTS	CURRENT DRAW (AMPS)			
		3000K/5000K	BUG RATINGS*	4000K	BUG RATINGS*		120V	208V	240V	277V
S3L	100W PSMH	3000	B1-U0-G1	3300	B1-U0-G1	23W	0.19	0.11	0.10	0.08
		2430		2670		19W	0.16	0.09	0.08	0.07
		1650	B1-U0-G0	1820		12W	0.10	0.06	0.05	0.04
S6L	175W MH	5500	B2-U0-G1	6000	B2-U0-G1	42W	0.35	0.20	0.18	0.15
		4330	B1-U0-G1	4760		32W	0.27	0.15	0.13	0.12
		2950			3250	B1-U0-G1	21W	0.18	0.10	0.09
S10L	250W PSMH	9125	B2-U0-G2	10,000	B2-U0-G2	72W	0.60	0.35	0.30	0.26
		6950	B2-U0-G1	7650	B2-U0-G1	54W	0.45	0.26	0.23	0.19
		4730	B1-U0-G1	5200		35W	0.29	0.17	0.15	0.13
S16L	400W MH	14,675	B3-U0-G2	16,000	B3-U0-G2	110W	0.92	0.53	0.46	0.40
		11,550		12,700		87W	0.73	0.42	0.36	0.31
		7900	B2-U0-G1	8700	B2-U0-G1	57W	0.48	0.27	0.24	0.21

* Default settings at time of shipping are highest product wattage and 4000K.

* For more information on the IES BUG (Backlight-Uplight-Glare) Rating visit: <https://www.ies.org/wp-content/uploads/2017/03/TM-15-11BUGRatingsAddendum.pdf>. Valid with no tilt.

WARRANTY AND CERTIFICATIONS

WARRANTY	cULus LISTED	DLC
5-Year Limited*	Wet Locations	5.1 Premium Refer to https://www.designlights.org/search/ for most current information.

C-WP-C-RDC Series

ACCESSORIES (SOLD SEPARATELY)

	<p>8W EMERGENCY BATTERY BACKUP KIT</p> <p>SKU: C-ACC-EB-8W-KIT-UL</p> <p>USE: Install the EM driver and EM battery kit inside the back box by following instruction sheet provided. Quick connectors have been added where possible, to help make installation easy. Provides 90 minutes and a minimum of 1010 lumens in Emergency Backup (EB) mode. 1010 - 1240 lumens based on efficacy of different lumen packages. Operating temperature: 32°F to 104°F (0°C to 40°C)</p> <p>*NOTE: Not compatible with S3L and S6L lumen packages.</p>
	<p>UNIVERSAL BUTTON PHOTOCELL (120V-277V)</p> <p>SKU: CCR-PHC-0306-GC</p> <p>USE: Photocell is field installed and drilling of the back box is required. 500W Max.</p>
	<p>UNIVERSAL BUTTON PHOTOCELL (120V-277V)</p> <p>SKU: JL-423CZ</p> <p>USE: Photocell is field installed and drilling of the back box is required. 1000W Max.</p>

© 2023 Cree Lighting, A company of IDEAL INDUSTRIES. All rights reserved. For informational purposes only. Content is subject to change. Patent www.creelighting.com/patents. C-Lite and the C-Lite logo are registered trademarks of Cree Lighting. Due to continuous product improvement, information in this document is subject to change. The cULus logo is a registered trademark of UL LLC. The DLC QPL logo and the DLC QPL Premium logo are registered trademarks of Efficiency Forward, Inc.

US: creelighting.com, e-conolight.com

Distribution/Sales: 855-617-2733 **Customer Service:** 888-243-9445

Rev. Date: 07/24/2023

For informational purposes only. Content is subject to change. *See creelighting.com/resources/warranties

C-LITE
LED LIGHTING