

# C-VT-B-LIN4 Series

## 4-foot Linear LED Vapor Tight

Replaces up to 2-lamp T5 54W



### INSTALL THIS VAPOR TIGHT IN NO TIME

cULus Listed, our C-Lite 4-foot LED Linear Vapor Tight delivers up to 7800 lumens and is available in either 4000K or 5000K. It features a continuous poured gasket for optimal water-tight housing, toolless entry into the housing, and a diffused lens to distribute light efficiently. Optional Occupancy Sensor and/or Emergency Battery Backup are available as factory installed options.



### PRODUCT SPECIFICATIONS

#### OVERVIEW

- CRI:  $\geq 80$
- CCT: 4000K or 5000K
- Input Power: 56W **(7L)**; 36W **(5L)**
- Dimmable: 0-10V to 10%
- IP65 Rated
- Estimated L70 Lifetime @ 25°C: >100,000 hours
- Operating Temperature Range: -40°F to 104°F (-40°C to 40°C)
- Power Factor: > .9
- Total Harmonic Distortion: < 20%
- Limited Warranty: 5-Year\*
- Replaces up to 2-lamp T5 54W **(7L)**; Replaces up to 2-lamp T8 32W **(5L)**
- **EM Mode:** Emergency battery backup option comes with a test button on outside of the fixture to test and ensure battery is working properly\*

FEATURES	RECOMMENDED USE	INPUT VOLTAGE
<ul style="list-style-type: none"> <li>• FCC Part 15, Subpart B, Class A limits for conducted and radiated emissions</li> <li>• Continuous poured gasket for optimal water tight housing</li> <li>• Toolless entry into housing</li> <li>• Diffused lens to help hide light source and distribute light most efficiently</li> </ul>	<ul style="list-style-type: none"> <li>• Entryways</li> <li>• Parking garage structures</li> <li>• Storage facilities</li> </ul>	<ul style="list-style-type: none"> <li>• Universal (120V - 277V)</li> </ul>

#### ORDERING INFORMATION

Example SKU: C-VT-B-LIN4-7L-50K-UL-WH-OS-EM

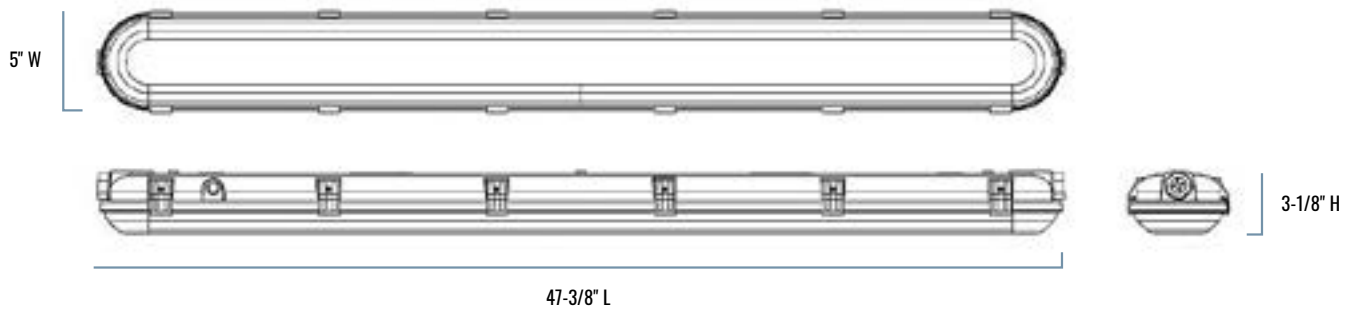
C-VT	B	LIN4			UL	WH		
PRODUCT	SERIES	STYLE	LUMEN PACKAGE	CCT	VOLTAGE	COLOR	OPTIONAL SENSOR	OPTIONAL EMERGENCY BATTERY BACKUP
<b>C-VT</b>	<b>B</b>	<b>LIN4</b> 4-foot	<b>5L</b> 5100 Lumens (4000K) 5000 Lumens (5000K)  <b>7L</b> 7800 Lumens (4000K) 7600 Lumens (5000K)	<b>40K</b> Neutral White (4000K)  <b>50K</b> Cool White (5000K)	<b>UL</b> Universal 120-277V	<b>WH</b> White	<b>[Blank]</b> w/out Occupancy Sensor  <b>OS</b> w/ Occupancy Sensor	<b>[Blank]</b> w/out Emergency Battery Backup  <b>EM</b> w/ Emergency Battery Backup Provides 90 minutes of emergency operation with ~1100 lumens and 8W of power

#### CERTIFICATIONS:

**CA RESIDENTS WARNING:** Cancer and Reproductive Harm – [www.p65warnings.ca.gov](http://www.p65warnings.ca.gov)



# C-VT-B-LIN4 Series



## SERIES OVERVIEW

DIMENSIONS	PRODUCT WEIGHT	MOUNTING HEIGHT
47-3/8" L x 5" W x 3-1/8" H	5.4 lbs. <b>(5L)</b> , 5.51 lbs. <b>(5L-EM)</b> , 5.62 lbs. <b>(5L-OS)</b> , 5.69 lbs. <b>(5L-OS-EM)</b> 6.12 lbs. <b>(7L)</b> , 6.24 lbs. <b>(7L-EM)</b> , 6.35 lbs. <b>(7L-OS)</b> , 6.42 lbs. <b>(7L-OS-EM)</b>	8 to 12 feet

## FIXTURE SPECIFICATIONS

<b>HOUSING</b>	White, high-impact polycarbonate
<b>LENS ASSEMBLY</b>	High-impact polycarbonate frosted lens to help diffuse the light source and efficiently distribute the light evenly
<b>MOUNTING</b>	Comes standard with 2 mounting brackets

## LUMINAIRE AND ELECTRICAL PERFORMANCE

OPERATING TEMPERATURE RANGE	ESTIMATED L <sub>70</sub> LIFETIME @ 25°C (77°F)	POWER FACTOR	TOTAL HARMONIC DISTORTION
-40°F to 104°F (-40°C to 40°C)	> 100,000 Hours	> .9	< 20%

SKU	REPLACES	LUMEN OUTPUT	BUG RATINGS*	SYSTEM WATTS	CURRENT DRAW (AMPS)			
					120V	208V	240V	277V
C-VT-B-LIN4-5L-40K-UL-WH	2-lamp T8 32W	5100 Lumens	B2-U3-G1	36W	0.305	0.176	0.152	0.132
C-VT-B-LIN4-5L-50K-UL-WH		5000 Lumens						
C-VT-B-LIN4-7L-40K-UL-WH	2-lamp T5 54W	7800 Lumens	B3-U3-G2	56W	0.466	0.269	0.233	0.202
C-VT-B-LIN4-7L-50K-UL-WH		7600 Lumens						

\* For more information on the IES BUG (Backlight-Uplight-Glare) Rating visit: <https://www.ies.org/wp-content/uploads/2017/03/TM-15-11BUGRatingsAddendum.pdf>. Valid with no tilt.

## WARRANTY AND CERTIFICATIONS

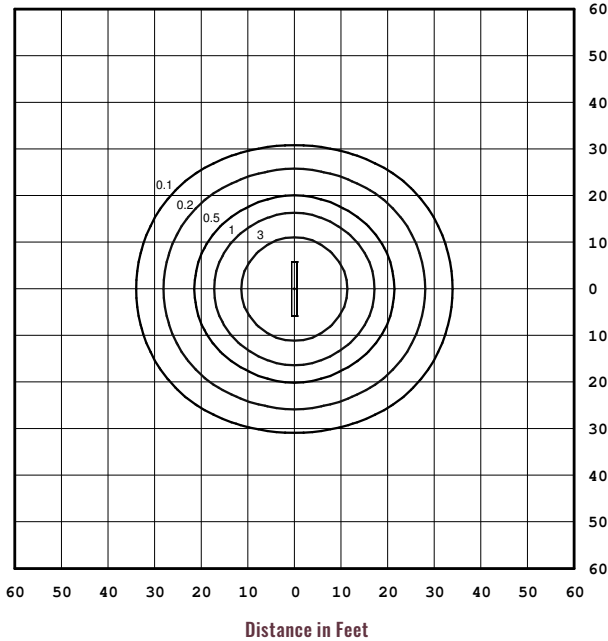
WARRANTY	cULus LISTED	DLC
5-Year Warranty*	Wet Listed	5.1 Premium

# C-VT-B-LIN4 Series

## ISO PLOT CHARTS

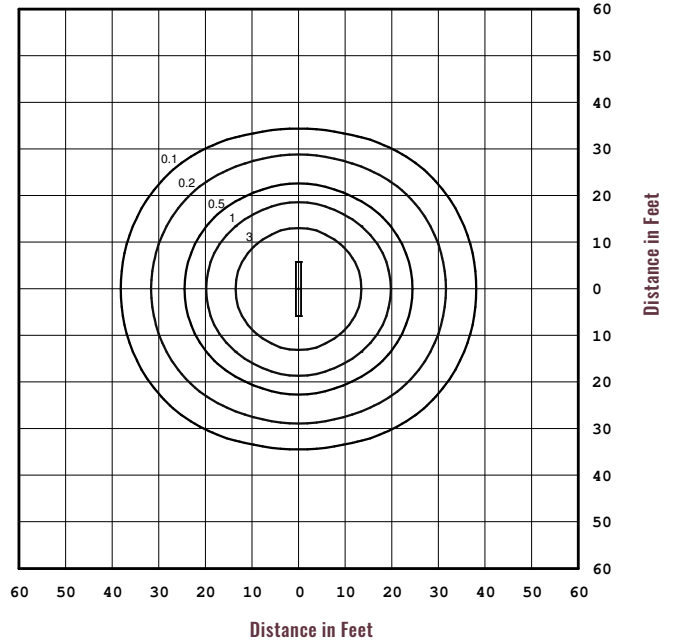
### C-VT-B-LIN4-5L-40K-UL-WH

Mounting Height: 10'



### C-VT-B-LIN4-7L-40K-UL-WH

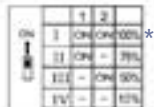
Mounting Height: 10'



**Note:** All published photometric testing performed to IES LM-79 standards. Fixture photometry was completed on a single representative fixture. Foot candle levels are noted inside graph.

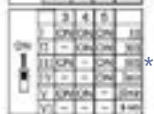
## OCCUPANCY SENSOR SETTINGS

BY SELECTING THE COMBINATION ON THE DIP SWITCHES, SENSOR DATA CAN BE PRECISELY SET FOR EACH SPECIFIC APPLICATION.



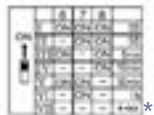
### Detection area

Detection area can be reduced by selecting the combination on the DIP switches to fit precisely each application.



### Hold time

Refers to the time period the lamp remains at 100% illumination after no motion detected.



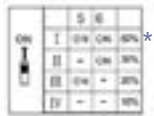
### Stand-by period

Refers to the time period the lamp remains at a low light level before it completely switches off in the long absence of people. When set to "w" mode, the low light is maintained until motion is detected.



### Daylight sensor

The sensor can be set to only allow the lamp to illuminate below a defined ambient brightness threshold. When set to Disable mode, the daylight sensor will switch on the lamp when motion is detected regardless of ambient light level. 50lux, 30lux: twilight operation, 10lux, 5lux: darkness operation only. Note that daylight sensor is active only when lamp totally switch off.



### Stand-by dimming level

The low light level you would like to have after the hold time in the long absence of people.

\* Indicates Factory Set Option

© 2021 Cree Lighting, A company of IDEAL INDUSTRIES. All rights reserved. For informational purposes only. Content is subject to change. Patent [www.creelighting.com/patents](http://www.creelighting.com/patents). C-Lite and the C-Lite logo are registered trademarks of Cree Lighting. The cULus logo is a registered trademark of UL LLC. The DLC QPL logo and the DLC QPL Premium logo are registered trademarks of Northeast Efficiency Partnerships, Inc.

US: [creelighting.com](http://creelighting.com), [e-conolight.com](http://e-conolight.com)

Distribution/Sales: 855-617-2733 Customer Service: 888-243-9445

Rev. Date: V2 12/09/2021

For informational purposes only. Content is subject to change. \*See [lighting.cree.com/warranty](http://lighting.cree.com/warranty) for details

**C-LITE**  
LED LIGHTING