

CPY Series - Version B

CPY250® LED Canopy/Soffit Luminaire

Rev. Date: V1903/02/2023

Product Description

The CPY250® LED Canopy/Soffit Luminaire has an extremely thin profile constructed of rugged cast aluminum. It can be surface mounted easily from below the canopy deck and can be pendant mounted. Direct imaging of the LEDs is eliminated with a highly efficient patterned flat or 0.91" (23mm) drop glass lens.

Applications: Petroleum canopies, CNG fueling stations, soffits

Performance Summary

Assembled in the USA by Cree Lighting from US and imported parts

Initial Delivered Lumens: Up to 19,600

Efficacy: Up to 141 LPW

CRI: Minimum 70 CRI

CCT: 3000K (+/- 300K), 4000K (+/- 300K)

Limited Warranty*: 10 years for luminaire/10 years for Colorfast DeltaGuard® finish/5 years for PML sensor/1 year for luminaire accessories

IP66 Rated (Direct Mount only)

Class I, Division 2 Hazardous Location for select models

* See <http://creelighting.com/warranty> for warranty terms

Accessories

Field-Installed

Direct Mount luminaires

Canopy Upgrade Kits (18 ga. steel, except where noted)

CPY-AP304* - for use with Cree Lighting CAN-304 luminaires, 16 ga. 5052 aluminum

XA-BXCCMW - for use with Jet-Philips, 21.60" [549mm] square, white

XA-BXCCNW - for use with ElSCO Franciscan, 22.06" [560mm] square, white

XA-BXCCPW - for use with LSI Dakota or Masters, 22.50" [572mm] square, white

XA-BXCCQW - for use with Whiteway Riviera or Rig-A-Lite, 20.60" [523mm] square, white

XA-BXCCRW - for use with ElSCO Merrit, 18.06" [459mm] square, white

XA-BXCCSW - for use with LSI Richmond or Whiteway Civic, 23.00" [584mm] L x 13.00" [330mm] W, white

Direct Mount Junction Box/Stem Kit

XA-BXCCJBOX - 6.0" [152mm] H x 3/4" [19mm] NPT Stem

- Watertight

- Rated for feed through 8 (4 in, 4 out) #12 AWC conductors

Direct Mount Beauty Plates

XA-BXCCBPW - 26.17" [665mm] Beauty Plate Only (18 ga. steel), white

XA-BXCCBPB12W - 26.17" [665mm] Beauty Plate (18 ga. steel) w/12" [305mm]

Backer Plate (16 ga. steel), white

- For use in canopies where deck opening is larger than what is required for mounting the CPY250 luminaire. Maximum deck opening 10.75" x 15" [183mm x 375mm]

XA-BXCCBPB16W - 26.17" [665mm] Beauty Plate (18 ga. steel) w/16" [406mm]

Backer Plate (16 ga. steel), white

- For use in canopies where deck opening is larger than what is required for mounting the CPY250 luminaire. Maximum deck opening 12" x 15" [305mm x 375mm]

Pendant Mount luminaires

Pendant Mount Kits

XA-PS12KIT* - 5" [127mm] pendant

XA-PS18KIT* - 11" [279mm] pendant

XA-PS22KIT* - 15" [381mm] pendant

- Includes two conduit fittings and 3/4-14 NPT pipe threaded on two ends

Hand-Held Remote

XA-SENSREM

- For successful implementation of the programmable multi-level option, a minimum of one hand-held remote is required

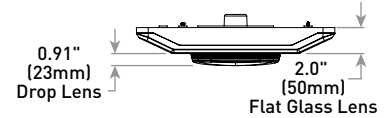
DM Mount



Flat Lens

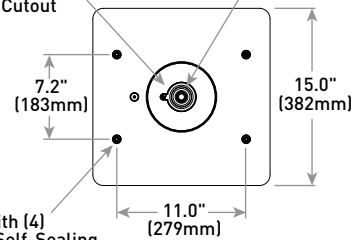


Drop Lens



Gasket to Seal up to 4.25" [108mm] Canopy Cutout

3/4" (19mm) NPT Conduit Entry



Mounts with (4) Supplied Self-Sealing Sheet Metal Screws

Weight

12.5 lbs. (5.7kg)

* Must specify color: BK (Black), BZ (Bronze), SV (Silver) or WH (White)

Ordering Information

Example: CPY250-B-DM-D-A-UL-SV

Product	Version	Mounting**	Optic	Lumen Package/ Input Power Designator	Voltage	Color Options	CCT	Options
CPY250	B	DM Direct HC Hook & Cord PD Pendant	D 0.91" (23mm) Drop Lens F Flat Lens	13L 91W B 96W E 145W	UL Universal 120-277V	BK Black BZ Bronze SV Silver WH White	30K 3000K 40K 4000K	DIM 0-10V Dimming - Control by others - Refer to Dimming spec sheet for details - Can't exceed wattage of specified lumen package/ Input Power Designator HZ Class I, Div. 2 Hazardous Location Certification - Available with DM and PD mounts only - Not available with K or PML options K NSF 2 Certification - Luminaires include NSF certification mark - Available with the DM mount only - Not available with the HZ or PML options PML Programmable Multi-Level - Available with UL voltage only - Refer to PML spec sheet for details

* For Car Wash Applications please contact Cree Lighting @ 1-800-236-6800



US: creelighting.com T (800) 236-6800

Canada: creelighting-canada.com T (800) 473-1234

CREE ⇄ **LIGHTING**®

CPY250® LED Canopy/Soffit Luminaire - Version B

Product Specifications

CONSTRUCTION & MATERIALS

- Slim, low profile design
- Easy mounting and servicing from below the deck
- Luminaire housing is constructed of rugged cast aluminum with integral heat sink specifically designed for LED
- Flat lens is 0.125" tempered Solite® glass
- Drop lens is 0.157" molded borosilicate glass
- Direct mount is suitable for use in single or double skin canopies with a minimum 4.0" (102mm) wide panels and a minimum 22 gauge, 0.030" (0.7mm) canopy thickness
- Direct mount luminaire mounts directly to the canopy deck with the drilling of a single 2" to 4" (51mm to 102mm) round hole, is secured in place with self-sealing screws that provide a weathertight seal and includes 3/4" (19mm) conduit entry for direct wire feed
- Hook and cord mount includes a 3' (0.91m) cord out of the luminaire and is intended to hang from the single hook
- Standard pendant mount includes a mounting bracket and a J-Box for customer wiring and is intended to be mounted by 3/4 IP pendant (by others)
- Hazardous location pendant mount has a threaded hub which accepts 3/4" NPT conduit (by others) and secures with a 1/4"-20 set screw
- Exclusive Colorfast DeltaGuard® finish features an E-Coat epoxy primer with an ultra-durable powder topcoat, providing excellent resistance to corrosion, ultraviolet degradation and abrasion. Black, bronze, silver and white are available
- **Weight:** 12.5 lbs. (5.7kg)

ELECTRICAL SYSTEM

- **Input Voltage:** 120-277V, 50/60Hz, Class 1 drivers
- **Power Factor:** > 0.9 at full load
- **Total Harmonic Distortion:** < 20% at full load
- Integral 6kV/3kA surge suppression protection standard
- When code dictates fusing, a slow blow fuse or type C/D breaker should be used to address inrush current

CONTROLS

- Continuous dimming to 10% with 0-10V DC control protocol
- **10V Source Current:** 0.15mA
- Use only lighting controls with neutral connection or controls intended for use with LED fixtures
- Reference LED Dimming spec sheet for additional dimming information

REGULATORY & VOLUNTARY QUALIFICATIONS

- cULus Listed
- Suitable for wet locations when ordered with DM and DM mount with HZ option. Covered ceiling required only when not used with cULus Listed, wet location junction box or XA-BXCCJBOX accessory
- Suitable for damp locations when ordered with HC and PD mounts. Designed for indoor use only
- Suitable for wet locations when ordered with PD mount and HZ option
- Enclosure rated IP66 per IEC 60529 when ordered with DM mount. Exceptions apply when HZ option is selected
- Consult factory for CE Certified products
- 6kV/3kA surge suppression protection tested in accordance with IEEE/ANSI C62.41.2
- Meets FCC Part 15, Subpart B, Class A limits for conducted and radiated emissions
- Luminaire and finish endurance tested to withstand 5,000 hours of elevated ambient salt fog conditions as defined in ASTM Standard B 117
- Assembled in the USA by Cree Lighting from US and imported parts
- Meets Buy American requirements within ARRA
- RoHS compliant. Consult factory for additional details
- Class I, Division 2 Hazardous Location rated when ordered with the DM or PD mount and the HZ option. Not available with K or PML options. Rated for Groups A, B, C & D. Bears a T3C (160°C) temperature classification within a 25°C ambient
- NSF Certified when ordered with DM mount and K option. Not available with HZ or PML options. Refer to <http://info.nsf.org/Certified/Food/> for additional details
- Dark Sky Friendly, IDA Approved when ordered with 30K CCT and Flat Lens (F). Please refer to <https://www.darksky.org/our-work/lighting/lighting-for-industry/fsa/fsa-products/> for most current information
- **CA RESIDENTS WARNING:** Cancer and Reproductive Harm - www.p65warnings.ca.gov

Electrical Data*					
Lumen Package/ Input Power Designator	System Watts 120-277V	Total Current (A)			
		120V	208V	240V	277V
13L	91	0.79	0.45	0.39	0.34
B	96	0.82	0.47	0.40	0.35
E	145	1.22	0.70	0.61	0.53

* Electrical data at 25°C (77°F). Actual wattage may differ by +/- 10% when operating between 120-277V

CPY Series (Version B) Ambient Adjusted Lumen Maintenance ¹						
Ambient	Lumen Package/ Input Power Designator	Initial LMF	25K hr Reported ² LMF	50K hr Reported ² LMF	75K hr Estimated ³ LMF	100K hr Estimated ³ LMF
5°C (41°F)	B/E	1.03	1.00	0.96	0.93	0.90
	13L	1.04	1.01	1.00	0.98	0.97
10°C (50°F)	B/E	1.02	0.99	0.95	0.92	0.89
	13L	1.03	1.00	0.99	0.97	0.96
15°C (59°F)	B/E	1.02	0.99	0.95	0.92	0.89
	13L	1.02	0.99	0.98	0.96	0.95
20°C (68°F)	B/E	1.01	0.98	0.95	0.91	0.88
	13L	1.01	0.98	0.97	0.95	0.94
25°C (77°F)	B/E	1.00	0.97	0.94	0.90	0.87
	13L	1.00	0.97	0.96	0.94	0.93
30°C (86°F)	B/E	0.99	0.96	0.93	0.90	0.87
	13L	0.99	0.96	0.95	0.93	0.92

¹ Lumen maintenance values at 25°C (77°F) are calculated per IES TM-21 based on IES LM-80 report data for the LED package and in-situ luminaire testing. Luminaire ambient temperature factors (LATF) have been applied to all lumen maintenance factors. Please refer to the [Temperature Zone Reference Document](#) for outdoor average nighttime ambient conditions.

² In accordance with IES TM-21, Reported values represent interpolated values based on time durations that are up to 6x the tested duration in the IES LM-80 report for the LED.

³ Estimated values are calculated and represent time durations that exceed the 6x test duration of the LED.

Operating Temperature Range			
Lumen Package/ Input Power Designator	Direct Mount to Plywood	Direct Mount to Sheet Metal/ Suspended	Class 1, Division 2 Hazardous Location
			Direct Mount to Plywood
13L/B	-40°C to +35°C	-40°C to +40°C	-40°C to +25°C
E	-40°C to +35°C	-40°C to +40°C	

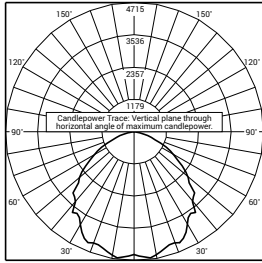
WARNING: Exceeding maximum operating temperature may result in thermal foldback

Photometry

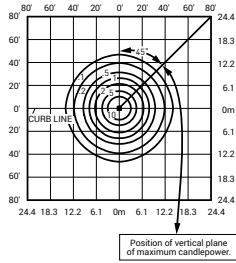
All published luminaire photometric testing performed to IES LM-79 standards.

To obtain an IES file specific to your project consult: <http://creelighting.com/products/outdoor/canopy-and-soffit/cpy-series>

DROP LENS



CESTL Test Report #: PL08412-001A
 CPY250-B-**-D-B-UL-**-57K
 Initial Delivered Lumens: 12,403



CPY250-B-**-D-B-UL-**-57K
 Mounting Height: 15' [4.6m] A.F.G.
 Initial Delivered Lumens: 12,860
 Initial FC at grade

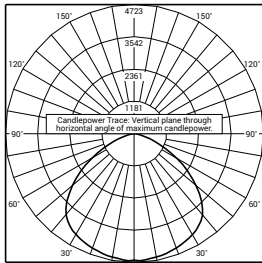
Drop Lens Distribution

Lumen Package/ Input Power Designator	3000K		4000K	
	Initial Delivered Lumens*	BUG Ratings** Per TM-15-11	Initial Delivered Lumens*	BUG Ratings** Per TM-15-11
13L	11,900	B3 U2 G1	12,800	B3 U2 G1
B	11,850	B3 U2 G1	12,380	B3 U2 G1
E	19,100	B4 U3 G2	19,600	B4 U3 G2

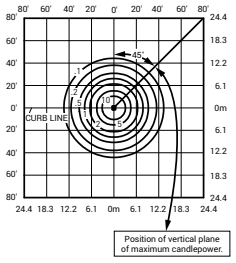
* Initial delivered lumens at 25°C (77°F). Actual production yield may vary between -10 and +10% of initial delivered lumens

** For more information on the IES BUG (Backlight-Uplight-Glare) Rating visit: <https://www.ies.org/wp-content/uploads/2017/03/TM-15-11BUGRatingsAddendum.pdf>

FLAT LENS



CESTL Test Report #: PL08165-001C
 CPY250-B-**-F-B-UL-**-57K
 Initial Delivered Lumens: 13,040



CPY250-B-**-F-B-UL-**-57K
 Mounting Height: 15' [4.6m] A.F.G.
 Initial Delivered Lumens: 12,860
 Initial FC at grade

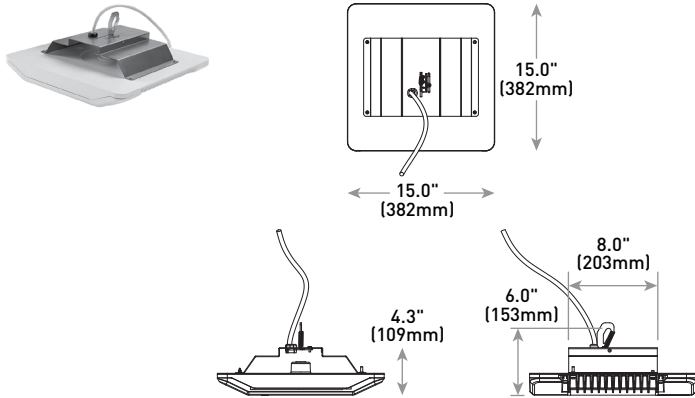
Flat Lens Distribution

Lumen Package/ Input Power Designator	3000K		4000K	
	Initial Delivered Lumens*	BUG Ratings** Per TM-15-11	Initial Delivered Lumens*	BUG Ratings** Per TM-15-11
13L	11,900	B3 U0 G1	12,800	B3 U0 G1
B	11,850	B3 U0 G1	12,380	B3 U0 G1
E	19,100	B4 U0 G1	19,600	B4 U0 G1

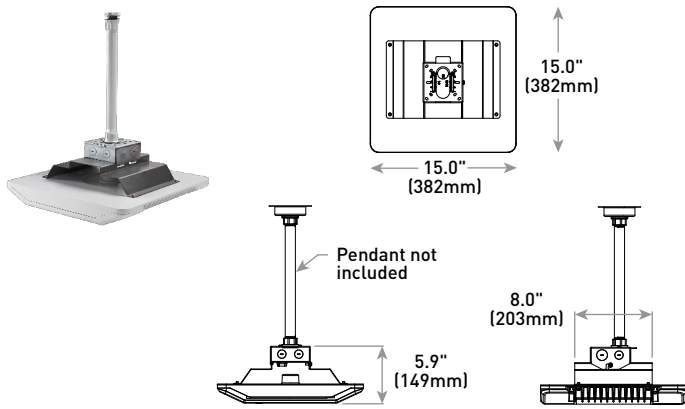
* Initial delivered lumens at 25°C (77°F). Actual production yield may vary between -10 and +10% of initial delivered lumens

** For more information on the IES BUG (Backlight-Uplight-Glare) Rating visit: <https://www.ies.org/wp-content/uploads/2017/03/TM-15-11BUGRatingsAddendum.pdf>

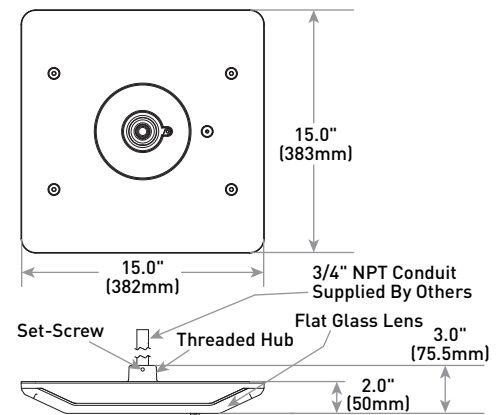
HC Mount



PD Mount



PD Mount w/HZ Option



© 2023 Cree Lighting, A company of IDEAL INDUSTRIES. All rights reserved. For informational purposes only. Content is subject to change. Patent www.creelighting.com/patents. Colorfast DeltaGuard® and CPY250® are registered trademarks, and the CPY250 design is a trademark of Cree Lighting, A company of IDEAL INDUSTRIES. Cree® and the Cree Lighting logo are registered trademarks of Cree, Inc. The UL logo is a registered trademark of UL LLC. The NSF logo is a registered trademark of NSF International.