

Essentia® Series Wall Wash Track

Wall Washer Track Head – 12"

Rev. Date: V7 05/18/2023

Product Description

Essentia® Series Wall Wash Track LED Wall Wash Track Head, available in 2700K, 3000K, 3500K and 4000K, is an excellent choice for commercial, retail, restaurant and hospitality applications requiring high-output LED performance. Available in powder-coated white or black finishes, these track heads deliver up to 3,000 lumens of beautiful uniform light at 80 CRI. Compatible with 1- or 2-circuit tracks, these track heads are durable as well, made with an aluminum housing and backed by a 5-year limited warranty and an estimated 50,000 hours of maintenance-free operation. The Essentia® Series Track LED Wall Wash Track Head provides smooth, uniform light quality and an amazing 100 lumens per watt that delivers outstanding energy savings and versatility.

Applications: General purpose track lighting for indoor commercial, retail or industrial applications

Performance Summary

Initial Delivered Lumens: 3,000 lumens
Input Power: 30 watts
CRI: 80
CCT: Soft White (2700K), Warm White (3000K), Neutral White (3500K) & Cool White (4000K)
Efficacy: Up to 100 LPW
Limited Warranty*: 5 years on luminaire; 1 year on accessories
L₇₀ Lifetime: 55,000 hours at 25 °C
Weight: 4.0 lbs. (1.8kg)

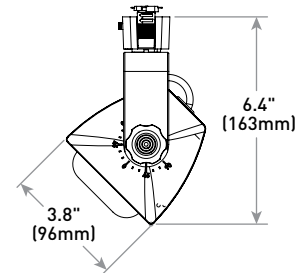
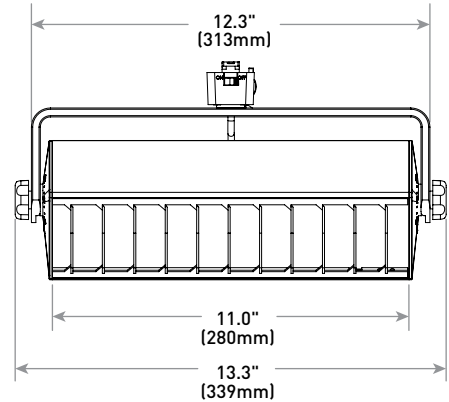
*See <https://www.creelighting.com/resources/warranties> for warranty terms

Accessories

Field-Installed
Louver S-CT-LOUV-SHORT-WH - Extruded/stamped aluminum - 2,500 initial delivered lumens



Shown with louver and track accessory



11

Ordering Information

Example: S-CT-WW-25L-27K-BK

S-CT	WW	25L		
Series	Description	Lumen Package	CCT	Housing Color
S-CT Essentia Series Track	WW Wall Washer	25L 30W, 3,000 Lumens	27K 2700K 30K 3000K 35K 3500K 40K 4000K	BK Black WH White - Not available with 35K or 40K



US: creelighting.com (800) 236-6800
 Canada: creelighting-canada.com (800) 473-1234



Product Specifications

CONSTRUCTION & MATERIALS

- Stamped aluminum housing for driver and optics
- White or black post-painted polyester powder-coat finish
- Polycarbonate adapter with copper conductor
- Spring latch secures light fixture to track
- Pivot mount allows rotations up to 350° horizontally and vertically
- Supplied with translucent white acrylic lens
- Compatible with 1- or 2-circuit track from Essentia® Series Track, and Juno® (not affiliated with Essentia Series) "T" and "TU" Series track systems

ELECTRICAL SYSTEM

- Integral On/Off switch
- **Input Power:** 30 Watts (39W CMH equivalent)
- **Input Voltage:** 120V, 60Hz
- **Power Factor:** > 0.9
- **Total Harmonic Distortion:** < 20%
- **Operating Temperature Range:** 0°C - + 35°C (32°F - + 95°F)

CONTROLS

- **Dimming:** Dims to 10% using compatible phase-cut dimmers

Recommended Dimmers:

Cooper	Devine®	DLC03P
Cooper	Skye®	SLC03P
Cooper	Devine®	DAL06P
Leviton	Illumatech®	PI06-1LZ
Leviton	SureSlide®	6631-2
Leviton	Vizia®	VPE06
Leviton	Trimatron™	6683-IW
Leviton	Decora®	6161
Leviton	SureSlide®	6633-P
Leviton	Illumatech®	IPE04
Lightolier	Sunrise	ZP260QEW
Lutron	Skylark®	S-603PG
Lutron	Diva®	DVCL-153P
Lutron	Diva®	DV-600P
Lutron	Toggler®	TGCL-153P
Lutron	Skylark®	S-600P
Lutron	Diva®	DVELV-303P
Lutron	Skylark®	SELV-300P
Lutron	Toggler®	TG-600P
Lutron	Lumea®	LG-600P
Lutron	Skylark®	CT-103P
Lutron	Maestro®	MAELV-600
Lutron	Faetra®	FAELV-500

Note: The presence of a dimmer on this chart is not a guarantee or warranty of the compatibility of the fixture in any particular installation. The absence of a dimmer from this chart does not necessarily imply incompatibility

REGULATORY & VOLUNTARY QUALIFICATIONS

- cETLus Listed
- Suitable for dry locations
- Designed for indoor use only
- Requires minimum 90°C supply conductors
- Not intended for use in environments containing airborne corrosive agents such as chemical solvents, cleaners, or cutting fluids
- RoHS compliant. Consult factory for additional details
- Meets FCC Part 15, Subpart B, Class B limits for conducted and radiated emissions

 **CA RESIDENTS WARNING:** Cancer and Reproductive Harm – www.p65warnings.ca.gov

Electrical Data*		
Initial Delivered Lumens	System Watts 120V	Total Current (A)
		120V
3,000	30	0.26

* Electrical data at 25°C (77°F). Actual wattage may differ by +/- 10% when operating at 120V +/- 10%

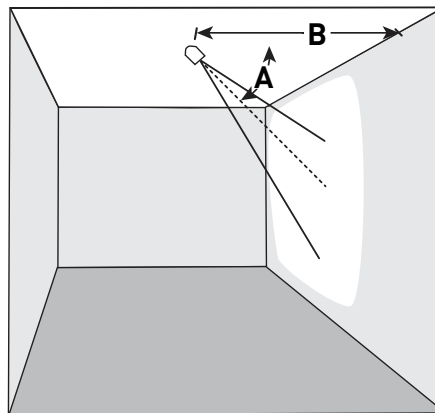
Essentia® Series Wall Wash Track Lumen Maintenance ¹					
Ambient	Initial LMF	25K hr Reported ² LMF	50K hr Reported ² LMF	75K hr Estimated ³ LMF	100K hr Estimated ³ LMF
25°C (77°F)	1.00	0.85	0.72	0.62	0.53

¹ Lumen maintenance values at 25°C (77°F) are calculated per IES TM-21 based on IES LM-80 report data for the LED package and in-situ luminaire testing. Luminaire ambient temperature factors (LATF) have been applied to all lumen maintenance factors.

² In accordance with IES TM-21, Reported values represent interpolated values based on time durations that are up to 6x the tested duration in the IES LM-80 report for the LED.

³ Estimated values are calculated and represent time durations that exceed the 6x test duration of the LED.

Application Reference



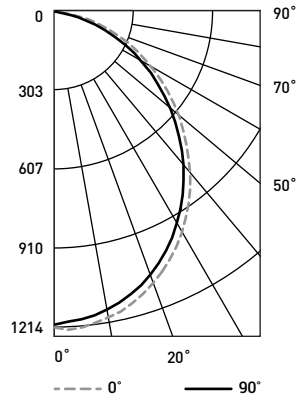
A = Preferred 60° aiming angle
 B = Typical track head setback of 3.0' (0.9m) from wall
Recommended Spacing: 4.0-6.0' (1.2-1.8m); consider closer spacing for better uniformity

Essentia® Series Wall Wash Track LED Wall Washer Track Head – 12"

Photometry

S-CT-WW-25L-30K BASED ON CESTL REPORT TEST #: PL09407-001A

Fixture photometry has been conducted in accordance with IES LM-79. IES LM-79 specifies the entire luminaire as the source resulting in a fixture efficiency of 100%.



Initial Delivered Lumens: 2,963
Efficacy: 99.0 LPW
S/M: 1.22

Coefficients Of Utilization – Zonal Cavity Method				
RC %:	80			
RW %:	70	50	30	10
RCR: 0	119	119	119	119
1	110	105	101	98
2	100	92	86	80
3	92	82	74	67
4	84	73	64	58
5	78	65	56	50
6	72	59	50	44
7	67	53	45	39
8	62	49	41	35
9	58	45	37	31
10	55	42	34	29

Effective Floor Cavity Reflectance: 20%

Reference <https://www.creelighting.com/products/indoor/track/essentia-series-wall-wash-track> for detailed photometric data

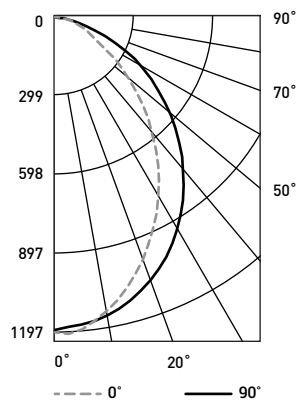
Average Luminance Table (cd/m²)			
Vertical Angle	Horizontal Angle		
	0°	45°	90°
45°	47,494	46,399	44,966
55°	43,482	41,854	39,719
65°	38,650	36,474	33,243
75°	31,655	28,138	21,412
85°	16,959	10,229	9,153

Zonal Lumen Summary			
Zone	Lumens	% Lamp	Luminaire
0-30	908	N/A	30.6%
0-40	1,456	N/A	49.1%
0-60	2,450	N/A	82.7%
0-90	2,964	N/A	100%

Photometry

S-CT-WW-25L-30K w/S-CT-LOUV-SHORT BASED ON CESTL REPORT TEST #: PL09408-001A

Fixture photometry has been conducted in accordance with IES LM-79. IES LM-79 specifies the entire luminaire as the source resulting in a fixture efficiency of 100%.



Initial Delivered Lumens: 2,517
Efficacy: 84.0 LPW
S/M: 1.04

Coefficients Of Utilization – Zonal Cavity Method				
RC %:	80			
RW %:	70	50	30	10
RCR: 0	119	119	119	119
1	109	105	101	97
2	100	93	86	81
3	92	82	75	69
4	85	74	65	59
5	78	66	58	52
6	73	60	52	46
7	68	55	47	41
8	63	50	42	37
9	59	47	39	33
10	56	43	36	31

Effective Floor Cavity Reflectance: 20%

Reference <https://www.creelighting.com/products/indoor/track/essentia-series-wall-wash-track> for detailed photometric data

Average Luminance Table (cd/m²)			
Vertical Angle	Horizontal Angle		
	0°	45°	90°
45°	26,793	31,594	38,231
55°	19,709	26,833	33,851
65°	14,341	23,352	28,224
75°	12,788	21,412	19,718
85°	10,521	25,056	16,842

Zonal Lumen Summary			
Zone	Lumens	% Lamp	Luminaire
0-30	845	N/A	33.6%
0-40	1,315	N/A	52.2%
0-60	2,090	N/A	83.0%
0-90	2,499	N/A	99.3%
0-180	2,518	N/A	100.0%