

HXB Series

LED High-Bay Luminaire

Rev. Date: V10 12/28/2022

Product Description

The HXB Series LED High-Bay luminaire delivers 35,000 and 70,000 lumens with illumination performance to allow one-for-one replacement of 750W and 1000W HID luminaires. With exceptional rated lifetimes and operating temperatures, the HXB delivers industry-leading lumens per watt while reducing maintenance in the toughest environments.

Applications: Industrial, manufacturing, warehouse, retail, convention centers, and arenas

Performance Summary

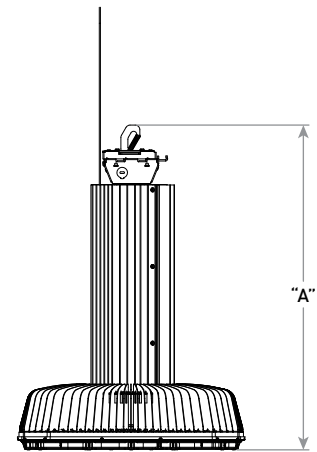
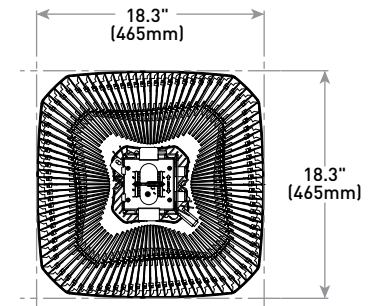
Initial Delivered Lumens: 35,000 or 70,000
Efficacy: Up to 150 LPW
CRI: 70 or 80+
CCT: 3500K, 4000K, or 5000K
Mounting: Hook and cord or pendant
Input Voltage: 120-277 VAC or 347-480 VAC (without step-down transformer)
Dimming: 0-10V dimming to 10% (standard)
Operating Temperature Range: -40°C to +60°C (-40°F to +140°F)
Lumen Maintenance: L ₇₀ >= 100,000 hours at +60°C (140°F)
Limited Warranty*: 10 years on luminaire; up to 5 years for Synapse® accessories; 1 year on luminaire accessories
Assembled in the USA by Cree Lighting from US and imported parts

* See <https://www.creelighting.com/resources/warranties> for warranty terms

Accessories

Field-Installed		
Anti-Spin Adaptor HXB-AS - Anti-spin accessory for hook and cord mounting configuration	Synapse® SimplySnap 10V Interface DIM10-220F - 120V-277V - Requires other Synapse components to complete system - Use to retro fit controls to existing HXB 10V projects - Refer to DIM10-220F spec sheet for details	
Field-Installed NEMA® Plugs		
AP-515P - 15 amp 120V Straight Blade Plug	AP-L615P - 15 amp 240V Twist Lock Plug	AP-L2420P - 20 amp 347V Twist Lock Plug
AP-L515P - 15 amp 120V Twist Lock Plug	AP-L715P - 15 amp 277V Twist Lock Plug	AP-L820P - 20 amp 480V Twist Lock Plug
Reflectors		
Single Pack HXB-GS30-OP: White Opaque Reflector HXB-GS30-WH: Clear Translucent Reflector HXB-GS30-OPU: White Opaque Reflector w/Uplight - All reflectors are 30" (762mm) impact-resistant polycarbonate - Single pack SKUs ship as one reflector per box Note: Not recommended for use in gymnasium applications	Multi Packs HXB-GS30-OP-MP: White Opaque Reflector HXB-GS30-WH-MP: Clear Translucent Reflector HXB-GS30-OPU-MP: White Opaque Reflector w/Uplight - Multi-pack SKUs require a minimum order of 4 pieces or more, and ship together in as few boxes as possible	

Shown w/Hook
35L Lumen Package
and White Opaque
Reflector Accessory
w/Uplight



Lumen Package	DIM "A"	Weight
35L	16.5" (419mm)	40 lbs. (18.1kg)
70L	26.1" (664mm)	60 lbs. (27.2kg)

Ordering Information

Example: HXB-B-UV-70L-M-35K-7-UL-SV

HXB	B	UV						SV
Product	Version	Mounting	Lumen Package*	Optic	CCT	CRI	Voltage	Color
HXB	B	UV Universal Mount: hook and cord with 6ft cord, adaptor plate for pendant	35L 35,000 lumens 70L 70,000 lumens	M Medium optic; 1.45C A Aisle optic - 35L only	35K 3500K 40K 4000K 50K 5000K	7 70 CRI 8 80 CRI	UL 120-277V UH 347-480V	SV Silver

* Lumen Package codes identify approximate light output only. Actual lumen output levels vary depending on CCT and reflector/lens selection. Refer to Delivered Lumens & Electrical Data and Reflector Illumination Performance tables for specific lumen values



US: [creelighting.com](https://www.creelighting.com) (800) 236-6800

Canada: [creelighting-canada.com](https://www.creelighting-canada.com) (800) 473-1234

CREE ⇄ **LIGHTING**®

HXB Series LED High-Bay Luminaire

Product Specifications

CONSTRUCTION & MATERIALS

- Aluminum bonded zipper fin heatsink
- IP65 rated optics
- Mounting choices of pendant or hook and cord
- Pendant mount has provision to accept ¾ IP pendant (by others)
- Hook mount is provided with factory installed spring lock hook for mounting and factory installed 6' (1.8m) 16/3 AWG white power cord
- Factory calibrated to hang straight; alignment required for pendant mount
- Includes tether to secure luminaire to building structure
- Not intended for use in environments containing airborne corrosive agents such as chemical solvents, cleaners, or cutting fluids

OPTICAL SYSTEM

- Fresnel lenslet optics for medium (1.4SC) and aisle lighting applications

ELECTRICAL SYSTEM

- **Input Voltage:** 120-277V or 347-480V 50/60Hz
- **Power Factor:** > 0.9
- **Total Harmonic Distortion:** < 20%
- **Transient Protection:** 6kV/3kA tested in accordance to IEEE/ANSI
- Designed with 0-10V dimming capabilities to 10%
- **10V Source Current:** 0.15mA (35L); 0.30mA (70L)
- **Operating Temperature Range:** -40°C - +60°C (-40°F - +140°F)

REGULATORY & VOLUNTARY QUALIFICATIONS

- cULus Listed
- Suitable for damp locations
- Fittings used for mounting shall be suitable for the maximum weight to be supported
- Customer supplied J-boxes (outlet boxes) used for mounting shall be listed and marked for the maximum weight to be supported
- Requires minimum 90°C supply conductors
- Designed for downlight applications only
- Meets FCC Part 15, Subpart B, Class A limits for conducted and radiated emissions
- RoHS compliant. Consult factory for additional details
- Assembled in the USA by Cree Lighting from US and imported parts
- Meets Buy American requirements within ARRA
- **CA RESIDENTS WARNING:** Cancer and Reproductive Harm – www.p65warnings.ca.gov

HXB Series Ambient Adjusted Lumen Maintenance ¹						
Ambient	Lumen Package	Initial LMF	25K hr Reported ² LMF	50K hr Reported ² LMF	75K hr Estimated ³ LMF	100K hr Estimated ³ LMF
25°C (77°F)	35L/70L	1.00	0.99	0.96	0.94	0.91
30°C (86°F)	35L/70L	0.99	0.98	0.95	0.93	0.91
35°C (95°F)	35L/70L	0.98	0.97	0.94	0.92	0.90
40°C (104°F)	35L/70L	0.97	0.96	0.93	0.91	0.89
45°C (113°F)	35L/70L	0.96	0.95	0.92	0.90	0.88
50°C (122°F)	35L/70L	0.95	0.94	0.91	0.89	0.87
55°C (135°F)	35L/70L	0.94	0.93	0.90	0.88	0.86
60°C (140°F)	35L	0.92	0.91	0.89	0.86	0.84
	70L	0.92	0.90	0.87	0.84	0.82

¹ Lumen maintenance values at 25°C (77°F) are calculated per IES TM-21 based on IES LM-80 report data for the LED package and in-situ luminaire testing. Luminaire ambient temperature factors (LATF) have been applied to all lumen maintenance factors.

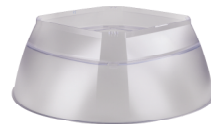
² In accordance with IES TM-21, Reported values represent interpolated values based on time durations that are up to 6x the tested duration in the IES LM-80 report for the LED.

³ Estimated values are calculated and represent time durations that exceed the 6x test duration of the LED

Reflector Illumination Performance		
Reflector	% of Uplight	Lumen Multiplier
HXB-GS30-WH Clear Translucent	0.3%	0.96
HXB-GS30-OPU White Opaque w/Uplight	4.5%	0.96
HXB-GS30-OP White Opaque	2.1%	0.96

Reference <http://creelighting.com/products/indoor/high-bay-low-bay/hxb-series> for detailed photometric data. IES files include reflector multipliers

HXB-GS30-WH



HXB-GS30-OPU



HXB-GS30-OP



Reflector Weights	
Single Pack	10 lbs. (4.5kg)
Multi Pack	35 lbs. (15.9kg)

Delivered Lumens & Electrical Data*

Lumen Package	CCT	Delivered Lumens**		System Watts	Efficacy (LPW at 70 CRI)	Total Current (A)					
		70 CRI	80 CRI			120V	208V	240V	277V	347V	480V
35L	3500K	38,400	35,600	276	133	2.33	1.34	1.16	1.01	0.80	0.57
	4000K	40,200	36,400		146						
	5000K	41,300	38,400		150						
70L	3500K	66,000	61,300	485	133	4.06	2.37	2.05	1.78	1.41	1.01
	4000K	66,400	64,200		137						
	5000K	71,700	66,200		148						

* Data provided at 25°C (77°F). Actual wattage may differ by +/- 10% when operating between 120-480V +/-10%. Actual production yield may vary between -10 and +10% of initial delivered lumens

** Initial delivered lumen values based on luminaire without reflector. Refer to reflector illumination Performance table for lumen multipliers when using reflector accessory

© 2022 Cree Lighting, A company of IDEAL INDUSTRIES. All rights reserved. For informational purposes only. Content is subject to change. Patent www.creelighting.com/patents. Cree® and the Cree Lighting logo are registered trademarks of Cree, Inc. NEMA® is a registered trademark of the National Electrical Manufacturers Association. The UL logo is a registered trademark of UL LLC. Synapse® is a registered trademark of Synapse Wireless, Inc. Verizon® is a registered trademark of Verizon Trademark Services LLC.

US: creelighting.com (800) 236-6800

Canada: creelighting-canada.com (800) 473-1234

CREE  **LIGHTING**®

A COMPANY OF IDEAL INDUSTRIES, INC.