

Noctura Series

LED Wall Mount Luminaires

Rev. Date: V12 08/28/2023

Product Description

The Noctura® LED Wall Mount luminaire minimizes cost of ownership with easy installation, high performance and quality backed by a Cree Lighting 5-year limited warranty. The Noctura Series has a coordinated style across area, flood and wall mount luminaires to provide a consistent daytime appearance across a building site or campus. The rugged yet lightweight aluminum housing and mounting box are designed for easy installation of a variety of junction box styles (4" square, 3" and 4" octagonal, single gang (vertical or horizontal mounts)). Luminaires (1L & 3L) allow for through-wired or conduit entry from the top, sides and rear. Luminaires (7L and higher) allow for through-wired or conduit entry from the top, bottom, sides and rear.

Applications: Ideal for both retrofit and new installation: building facade, security and general lighting applications.

Performance Summary

Initial Delivered Lumens: Up to 22,600 lumens

Efficacy: Up to 154 LPW

CRI: Minimum 70 CRI

CCT: 4000K, 5000K

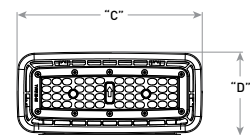
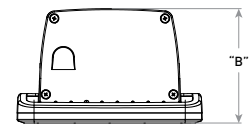
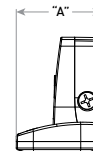
Limited Warranty*: 5 years for luminaire/ up to 5 years for Synapse® accessory/ 1 year for photocell accessory

* See <http://creelighting.com/warranty> for warranty terms

Accessories

Field-Installed
Field-Installed Button Photocell JL-423CZ - UL (120-277V) Voltage only Synapse® SimplySnap 10V Interface DIM10-220F - 120V-277V - Requires other Synapse components to complete system - Refer to DIM10-220F spec sheet for details

7L



Lumen Package	Weight	Dim "A"	Dim "B"	Dim "C"	Dim "D"
1L*	2.2 lbs. (1.0kg)	3.7" (93mm)	5.4" (136mm)	8.7" (220mm)	3.6" (91mm)
3L*	3.0 lbs. (1.4kg)	4.0" (102mm)	5.4" (136mm)	8.7" (220mm)	3.9" (100mm)
7L*	4.6 lbs. (2.1kg)	6.5" (165mm)	5.4" (136mm)	9.8" (250mm)	6.4" (163mm)

* See page 3 for large housing line drawings

Ordering Information**

Example: NTW-A-WM-T3-1L-40K-UL-BZ

Luminaire								Luminaire							
Product	Version	Mounting	Optic	Lumen Package*	CCT	Voltage	Color Options	Product	Version	Mounting	Optic	Lumen Package*	CCT	Voltage	Color Options
Small Housings								Large Housings							
Available 1L Product Combinations								Available 17L Product Combinations							
NTW	A	WM	T3 - Type III	1L	40K	UL - 120-277V	BZ	NTW	A	WM	T3 - Type III	17L	40K	UL - 120-277V	BZ
Available 3L Product Combinations								Available 23L Product Combinations							
NTW	A	WM	T3 - Type III	3L	40K	UL - 120-277V	BZ	NTW	A	WM	T3 - Type III	23L	40K	UL - 120-277V	BZ
NTW	A	WM	T3 - Type III	3L	50K	UH - 347-480V	BZ								
Available 7L Product Combinations															
NTW	A	WM	T3 - Type III	7L	40K	UL - 120-277V	BZ								
NTW	A	WM	T3 - Type III	7L	40K	UH - 347-480V	BZ								
NTW	A	WM	T3 - Type III	7L	50K	UL - 120-277V	BZ								
NTW	A	WM	T3 - Type III	7L	50K	UH - 347-480V	BZ								

* Lumen Package codes identify approximate light output only. Actual lumen output levels may vary depending on CCT and optic selection. Refer to Initial Delivered Lumen tables for specific lumen values

**Note: Limited product availability. Consult factory for availability



US: creelighting.com (800) 236-6800

Canada: creelighting-canada.com (800) 473-1234

CREE ⇄ **LIGHTING**

Product Specifications

CONSTRUCTION & MATERIALS

- Luminaire housing is rugged die cast aluminum with integral, LED driver compartment is specifically designed for LED applications with advanced LED thermal management and driver
- Luminaire mounting box designed for easy installation of a variety of junction box styles: 4" square, 3" and 4" octagonal, single gang, vertical or horizontal mounts
- Luminaire can also be direct mounted to a wall and surface wired
- Direct mount to junction box with knockouts and grommet on back
- 17L and 23L housings have knockouts for additional mounting screws to provide added mounting stability (recommended)
- Luminaires (1L and 3L) allow for through-wired or conduit entry from the top, sides and rear
- Luminaires (7L and higher) allow for through-wired or conduit entry from the top, bottom, sides and rear
- Housing includes a knockout for field installed button type photocontrol (by others)
- Housing and mounting accessories finished in bronze polyester powder coat paint, 2.5 mil nominal thickness
- Weight:** 1L-2.2 lbs. (1.0kg); 3L-3.0 lbs. (1.4kg); 7L-4.6 lbs. (2.1kg); 17L-9.9 lbs. (5.5kg); 23L-12.8 lbs. (7.8kg)

ELECTRICAL SYSTEM

- Input Voltage:** 120-277V or 347-480V, 50/60Hz
- Power Factor:** > 0.9 at full load
- Total Harmonic Distortion:** < 20% at full load
- Integral 10kV/5kA surge suppression protection standard
- When code dictates fusing, a slow blow fuse or type C/D breaker should be used to address inrush current
- Designed with 0-10V dimming capabilities. Controls by others
- 10V Source Current:** 0.20 mA
- Operating Temperature Range:** -30°C - +40°C (-22°F - +104°F)
- Snap connectors make wiring quick and simple

REGULATORY & VOLUNTARY QUALIFICATIONS

- cULus Listed (UL1598)
- Suitable for wet locations
- Designed for downlight applications only
- Meets NEMA C82.77 standards
- Drivers and LEDs are UL Recognized in accordance with UL8750
- Enclosure meets IP65 requirements per IEC 60529
- Certified to ANSI C136.31-2018, 3G vibration standards
- ANSI C136.2 10kV/5kA surge protection, tested in accordance with IEEE/ANSI C62.41.2
- Meets FCC Part 15, Subpart B, Class A limits for conducted and radiated emissions
- RoHS compliant. Consult factory for additional details
- CA RESIDENTS WARNING:** Cancer and Reproductive Harm – www.p65warnings.ca.gov

Electrical Data*								
Lumen Package	System Watts 120-277V	System Watts 347-480V	Total Current (A)					
			120V	208V	240V	277V	347V	480V
1L	12	N/A	0.12	0.07	0.06	0.05	N/A	N/A
3L	24	24	0.24	0.14	0.12	0.10	0.08	0.06
7L	46	46	0.46	0.27	0.23	0.20	0.16	0.12
17L	111	111	1.11	0.64	0.56	0.48	0.38	0.28
23L	148	N/A	1.48	0.85	0.74	0.64	N/A	N/A

* Electrical data at 25°C (77°F). Actual wattage may differ by +/- 10% when operating between 120-277V or 347-480V +/-10%

Noctura Series Ambient Adjusted Lumen Maintenance ¹					
Ambient	Initial LMF	25K hr Reported ² LMF	50K hr Reported ² LMF	75K hr Estimated ³ LMF	100K hr Estimated ³ LMF
5°C (41°F)	1.04	0.98	0.92	0.87	0.82
10°C (50°F)	1.03	0.97	0.91	0.86	0.81
15°C (59°F)	1.02	0.96	0.91	0.85	0.80
20°C (68°F)	1.01	0.95	0.90	0.84	0.79
25°C (77°F)	1.00	0.94	0.89	0.83	0.79
30°C (86°F)	0.99	0.93	0.88	0.83	0.78
35°C (95°F)	0.98	0.93	0.87	0.82	0.77
40°C (104°F)	0.97	0.92	0.86	0.81	0.76

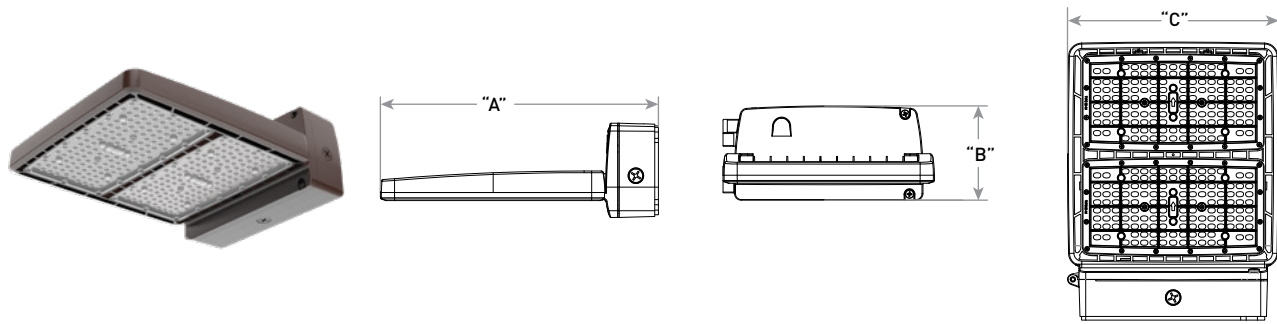
¹ Lumen maintenance values at 25°C (77°F) are calculated per IES TM-21 based on IES LM-80 report data for the LED package and in-situ luminaire testing. Luminaire ambient temperature factors (LATF) have been applied to all lumen maintenance factors. Please refer to the [Temperature Zone Reference Document](#) for outdoor average nighttime ambient conditions.

² In accordance with IES TM-21, Reported values represent interpolated values based on time durations that are up to 6x the tested duration in the IES LM-80 report for the LED.

³ Estimated values are calculated and represent time durations that exceed the 6x test duration of the LED.

Noctura® LED Wall Mount Luminaire

17L

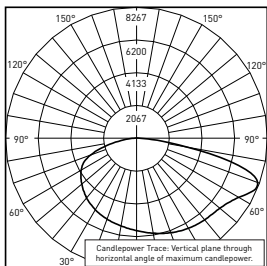


Lumen Package	Weight	Dim "A"	Dim "B"	Dim "C"
17L	9.9 lbs. (5.5kg)	16.26" (413mm)	5.51" (140mm)	12.36" (314mm)
23L	12.8 lbs. (7.8kg)	20.30" (516mm)	5.51" (140mm)	12.36" (314mm)

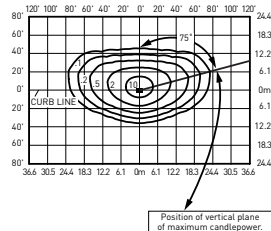
Photometry

All published luminaire photometric testing performed to IES LM-79 standards. To obtain an IES file specific to your project consult: <https://creelighting.com/products/outdoor/wall-mount/noctura-wall>

T3



Ningbo TengLi Testing Co. Test Report #: STD190155NB-BK
 NTW-A-WM-T3-23L-30K-UL-**
 Initial Delivered Lumens: 21,664



NTW-A-WM-T3-23L-40K-UL-BZ
 Mounting Height: 15' (4.6m) A.F.G.
 Initial Delivered Lumens: 22,600
 Initial FC at grade

Type III Medium Distribution			
Lumen Package	Initial Delivered Lumens*	BUG Ratings** Per TM 15 11	Efficacy (LPW)
1L	1,580 (4000K)	B1 U0 G1	132
3L	3,370 (4000K/5000K)	B1 U0 G1	140
7L	6,750 (4000K/5000K)	B2 U0 G1	147
17L	17,100 (4000K/5000K)	B3 U0 G3	154
23L	22,600 (4000K)	B3 U0 G3	153

* Initial delivered lumens at 25°C (77°F). Actual production yield may vary between -10 and +10% of initial delivered lumens

** For more information on the IES BUG (Backlight-Uplight-Glare) Rating visit: <https://www.ies.org/wp-content/uploads/2017/03/TM-15-11BUGRatingsAddendum.pdf>. Valid with no tilt