

KL-SPOT

KLICK Adjustable Spotlight
Track Lighting



Job Information	
Project Name	
Type	
Location	
Quantity	
Date	

Description

The KLICK Adjustable Spotlight is a compact and versatile LED track fixture. Streamlined spots generate maximum light quality with a high-end light technology that integrates into even the smallest spots.

Features

Body

Constructed from aluminum, this LED track fixture features an aesthetically pleasing smooth cylindrical shape.

Beam Spread

The fixture is available in 10° and 20° beam angles.

Dimming

The track fixture is dimmable when used with compatible dimmable driver (Consult factory for compatible drivers and dimmers).

Adjustability

Adjustable up to 90° tilt and 355° rotation to allow for spotlight into multiple directions.

LED Characteristics

Efficient CREE® CXB-1304 LED chip maintains uniform intensity with a typical luminous flux up to 550 lumens, with a typical CRI of 92. Available in 2700 K, 3000 K and 3500 K correlated color temperature.

Mounting

This LED fixture is designed to be simple and convenient, with secure-click locking technology; providing significant savings on installation and maintenance.

Compatibility

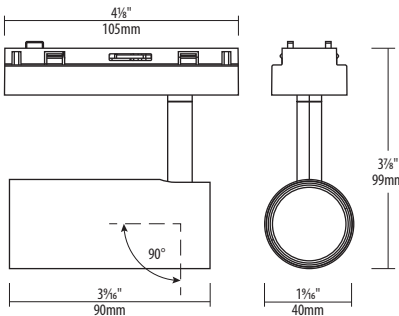
Compatible with KLICK track series.



SPECIFICATION

Approved Location	Dry / Indoor
Application	Track
Certification	cETLus
Beam Spread	10° / 20°
Color Temperature	2700 K / 3000 K / 3500 K
CRI	92
Dimmable	Yes
Lumens per Watt	Up to 55
TM-30 Annex E	P2 / V- / F2
Voltage	24V DC
Wattage	10W

Technical Drawings



Ordering Guide

Beam Spread	CCT	Finish Color
KL-SPOT - [] - [] - []		
10 : 10° 20 : 20°	Leave blank for 3000 K 27K : 2700 K 35K : 3500 K	BK : Black WH : White

Notes:

Accessories are sold separately. For additional options please consult your A-Line representative. Due to our continued efforts to improve our products, product specifications are subject to change without notice.