

PAR422/38

ALEXIS Line Voltage Track Fixture for PAR38 Lamps
Track Systems

Job Information		
Project Name		Type
Location		
Quantity		Date
Contact/Phone		
Notes		

Features

Body

Constructed of die cast aluminum which provides superior strength and rigidity. Softened edges adds up to the low profile aesthetic design.

Lamping

Porcelain socket for 120V PAR38 lamps, 150 watts max. A high temperature glass shield is included, mounted to front of lamp fixture.

Adjustability

Fixture provides vertical rotation of 90° and horizontal rotation of 330°; providing a wide range of light source aiming possibilities.

Dimming

The track fixture is dimmable when used with electronic line voltage rated dimming controls only. 120V / 60Hz input; 120V output; 150W maximum load.

Compatibility

Liteline track fixtures are compatible with A-Line, Halo®, Lightolier® and most brands configured to Halo® track system design.

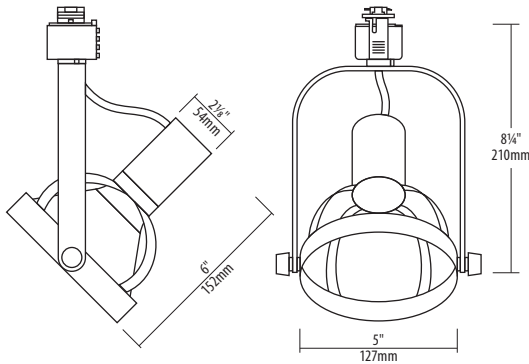
Labels

- cULus listed.



Description

The ALEXIS is an adjustable, lightweight, high-styled, exposed lamp design, line voltage track lighting fixture. ALEXIS provides a front load lamping and allows for directional light source for special aiming and assures secure lock on angle position.




Connector Compatibility Chart



Notes: Accessories should be ordered separately. For additional options please consult your Liteline representative. Juno is a registered trademark of Juno Lighting Group. Halo is a registered trademark of Cooper Lighting. Lightolier is a registered trademark of Philips.

Due to our continued efforts to improve our products, product specifications are subject to change without notice.

Ordering Guide

Connector Type	- PAR422/38 -	Trim Finish	Pendant Style
<div style="border: 1px solid black; width: 100px; height: 20px; margin: 0 auto;"></div>		<div style="border: 1px solid black; width: 100px; height: 20px; margin: 0 auto;"></div>	<div style="border: 1px solid black; width: 100px; height: 20px; margin: 0 auto;"></div>
 <p>Leave blank for Liteline (TK) A : A-Line (ATK) H : Halo Compatible L : Lightolier Compatible</p>		<p>BK : Black¹ BN : Brushed Nickel WH : White</p>	<p>Leave blank for no rod 12 : 12" stem rod 18 : 18" stem rod 24 : 24" stem rod 36 : 36" stem rod 48 : 48" stem rod</p>

¹ Not available with "CP" Connector Type.

* QuickShip lead time may vary for orders greater than 100 pieces. No additional shipment rates apply. Subject to availability.