

ATF8020

20W Focus™ Beam Spread Adjustable LED Track Head Track Lighting



Job Information	
Project Name	
Type	
Location	
Quantity	
Date	

Description

The ATF8020 is a 20W high powered, LED track fixture with an adjustable beam spread dial specially designed for task and accent lighting. Available black, silver and white finishes.

Features

Body

Constructed of die-cast aluminum, the body housing features an aesthetically pleasing smooth conical shape with fin-shaped heat sink with clean lines and optimal thermal dissipation.

dimmers).

Adjustability

Pivot mounts allow up to 90° tilt and 350° rotation to allow for maximum aiming adjustability.

Class 2 ERP driver with 120V, 50/60 Hz input.

Compatibility

Fixture is provided with A-Line connector which is compatible with Juno style track. For other connector configurations (Halo, Liteline), please contact your A-Line representative.

Beam Spread

The fixture includes an adjustable dial to control beam spread, from 18° to 50°. Dial includes a groove to indicate medium beam spread.

LED Characteristics

High powered 20W CREE® CXB1512 LED array maintains uniform intensity with a typical luminous flux up to 1400 lumens, with a typical CRI of 90. Available in 2700 K and 3500 K correlated color temperature.

QuickShip In-Stock

In-Stock products ship within two business days of an order being released.*

Dimming

The track fixture is 100%-10% dimmable when used with TRIAC dimming controls (Consult factory for compatible

LED Driver

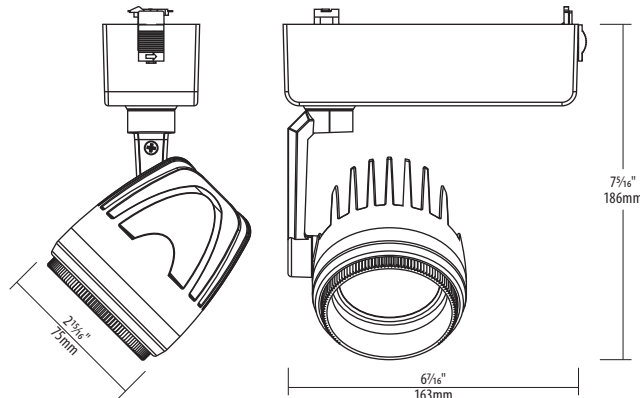
This LED track fixture is powered by a



SPECIFICATION

Application	Track
Approved Location	Dry / Indoor
Beam Angle	18°-50°
CCT	2700 K / 3500 K
Certification	cETLus
Colour	BK / SL / WH
CRI	90
Dimming	Yes
Dimming Tech	TRIAC
LED Life Span	50,000 Hrs
Lumen Maintenance	70% @ 50,000 Hrs
Lumens	1300 / 1400
Lumens per Watt	65 / 70
Power Factor	>0.9
Primary Voltage	120
Rotation	350°
THD	<20%
Tilt	90°
Warranty	5 Years
Wattage	20

Technical Drawings



Ordering Guide

Connector Type	Color Temp.	CRI	Finish Color
<input type="text"/>	- ATF8020 -	<input type="text"/>	<input type="text"/>



Blank : A-Line or Juno

H : H-Style

L : L-Style

LL : Liteline

27 : 2700 K

35 : 3500 K

90 : 90CRI

BK : Black

SL : Silver

WH : White

Highlighted option denotes QuickShip.

* QuickShip option is available on orders of 100 pieces or less. QuickShip lead time may vary for orders greater than 100 pieces. No additional shipment rates apply. Subject to availability.

Notes: For additional options please consult your A-Line Lighting representative. Juno is a registered trademark of Juno Lighting Group. Halo is a registered trademark of Cooper Lighting. Due to our continued efforts to improve our products, product specifications are subject to change without notice.

Photometry

ATF8020-27-90 : FOCUS™ LED TRACK HEAD, 20W, 2700 K, 90CRI, @ 32° BEAM SPREAD

Zonal Lumen Summary

Zone	Lumens	% Luminaire
0-30	1,243.8	78.8%
0-40	1,454.9	92.2%
0-60	1,560.2	98.8%
60-90	18.3	1.2%
0-90	1,578.5	100%

