

SIGMA 4000

Tilting Gimbal, 1000-3000 Lumens, 11-44 Watts
Recessed Downlighting

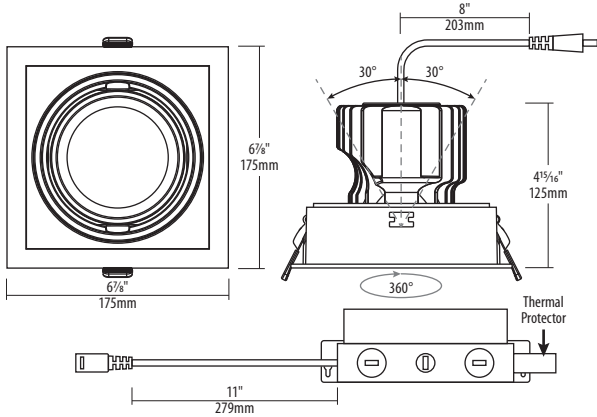


Job Information	
Project Name	
Type	
Location	
Quantity	
Date	

Description

Sigma 4000 fixtures offer up to 3000 lumens and 90+ CRI in both round and square profiles. Ideal for remodel applications in commercial or residential spaces, these fixtures are also available in fixed and multiples with 2 or 3 linear tilting gimbal fixtures in one housing.

Technical Drawings



FIXTURE SPECIFICATIONS

Aperture	4 13/16" (123mm)
Application	Recessed
Approved Location	Damp
Certification	cETLus
CRI	90
Dimming	Yes
Hole Cut Size	6 5/16" x 6 5/16" (160mm x 160mm)
Max. Ceiling Thickness	1 1/4"
Power Factor	>0.9
Power Supply Type	Constant Current
Lumen Maintenance	70% @ 50,000 Hrs
THD	<20%
TM-30 Annex E	P2 / V- / F2

Delivered Lumens Per Head	Option	Driver Wattage
1000	A	11.2
1500	B	18
2000	C	25
2500	D	33.3
3000	E	43.9

Ordering Guide

Trim Color	Trimless Option	Delivered Lumens Per Head ¹	Color Temp.	Beam Angle	Lens Options	Driver Options	Emergency Back-up	Voltage	Mounting	Shipping
S4M1										
B : Black W : White	S : No adapter	A : 1000 lm (Non-IC) B : 1500 lm (Non-IC) C : 2000 lm (Non-IC) D : 2500 lm (Non-IC) E : 3000 lm (Non-IC)	27 : 2700 K 30 : 3000 K 35 : 3500 K 40 : 4000 K 50 : 5000 K	S : Spot (15°) M : Medium (38°) W : Flood (60°)	C : Clear protective lens 1 : Honeycomb Louver 2 : Soft Lens 3 : Linear Spread Film (60° wide) 4 : Light Bending Film (20° directional)	C : TRIAC, ELV, 0-10V, 120-277V Input ² B : Rated -40°C, 0-10V, 120-277 & 347V Input D : DALI, Rated -40°C, 120-277V & 347V Input M : DMX, 120-277V Input ² L : Hi-lume 1% EcoSystem w/Soft-on, Fade-to-Black, 120-277V Input ² Q : Casambi Enabled Driver, 120-277V Input ²	N : No EM E : Emergency Backup, 0-10V, 120-277V Input ²	1 : 120V 2 : 277V 3 : 347V 4 : 208V 5 : 240V	RM : Remodel NC : New Construction AR : Architectural C-Channel Brackets	1 : Ship Complete 2 : Ship Rough-in First ³



Highlighted option denotes QuickShip.

Notes:

¹ Delivered lumens provided are based on 4000 K @ 90 CRI with medium reflector. ² Not available in 347V. ³ Minimum order of 40 pieces to "Ship Rough-in First". QuickShip option is available on orders of 100 pieces or less. QuickShip lead time may vary for orders greater than 100 pieces. No additional shipment rates apply. Subject to availability. For additional options please consult your A-Line representative. All trademarks are the property of their respective owners. Casambi is a trademark of Casambi Technologies. Due to our continued efforts to improve our products, product specifications are subject to change without notice.

Features

Reflector

Multi-faceted reflector available in spot (15°), medium (38°) or flood (60°) beam angle.

LED Characteristics

Available with high efficiency BRIDGELUX® LED chip that maintains high lumens per watt with a typical 90 CRI.

LED Optics

Integrated clear protective lens. Optional honeycomb, soft lens, and light bending films are also available.

Dimming

Multiple dimming options are available. 100~10% dimming with TRIAC/ELV, 100~1% dimming with 0-10V, and dim

to off with compatible devices. See LED Driver Options for details. Consult factory for compatible dimmers.

Thermal Performance

Extruded aluminum heat sink ensures optimal heat dissipation and LED life.

LED Driver

The LED driver is remote mounted to allow for a lower operating temperature of the LED, longer life, and serviceable separate from the fixture. Includes an 18" plenum rated FT6 wire with DC 2.1 connector from driver to fixture. See LED Driver Options for more specific details.

System Protection

Integrated thermal protection provided on Non-IC models to indicate improper

installations. Mounted to the junction box and will disconnect if insulation is detected. Insulation must maintain 3" clearance from top or sides.

Hanger Bars – New Construction

Rigid hanger bars extend up to 25" (635mm). Score lines on the hanger bars allow for tool-less shortening down to 12" (305mm). Built-in line-up foot allows for accurate housing height during installation. Integrated T-bar clips easily snap onto T-bars.

Hanger Bars – Architectural C-Channel

Architectural frame bracket accepts C-channel and EMT conduit. Vertically adjustable.

Shipping

Fixtures can be shipped complete or with rough-in components first, and the remainder once requested.

Environment

Suitable for use in damp locations.

Warranty

5-Year warranty.

QuickShip Made-To-Order

Made-To-Order products ship within seven business days of an order being released.

LED Driver Options

(C) TRIAC/ELV/0-10V : TRIAC/ELV dimming for 120V only, 100~10% dimming. 1% Dimming over 0-10V is optional, but required for 277V & 347V dimming.

(B) Rated -40 : Low temperature driver operation. Dimming to 1% over 0-10V.

(D) DALI : DALI soft dimming to 1%. Dim-to-off with standby power <0.3W. Rated to -40.

(M) DMX : DMX/RDM soft dimming to 0.1%. Dim-to-off with standby power <0.3W.

(E) Emergency Backup : Integrated emergency battery with switchable output of 5W for 180 minutes, or 10W for 90 minutes of operation during an outage.

(L) Lutron EcoSystem : Suitable for integration into a planned or existing EcoSystem® lighting control solution. Dimming down to 1% with compatible controls.

(Q) Casambi Enabled : Casambi wireless module included. Wireless dimming to 1% provided over 0-10V signal from module.

Accessories



P-6250S

160mm x 160mm square pre-mounting plate for Sigma4 fixtures.

Lens Options



S4-HC-LVR

Honeycomb louver.



S4-LB20-LENS

Light bending film (20° directional).



S4-LC-LENS

Linear clear lens

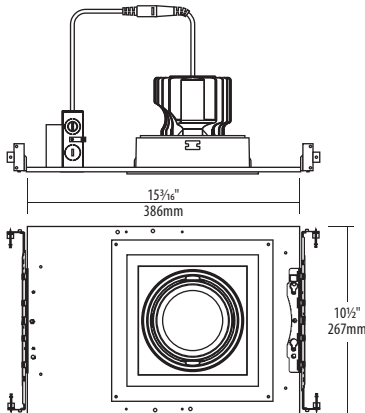


S4-LS60-LENS

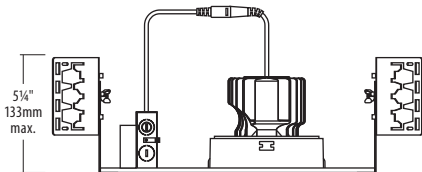
Linear spread film (60° wide).

Technical Drawings

Mounting: New Construction



Mounting: Architectural



Photometry

CCT Correction Factors :

Baseline lumens = 3000 K

Multiply 3000 K lumen values by:

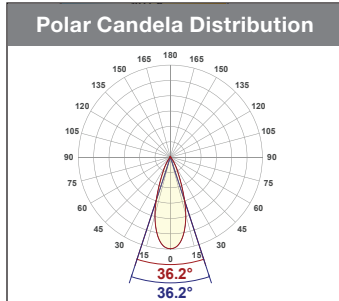
0.95 for 2700 K

1.10 for 3500 K

1.15 for 4000 K

1.20 for 5000 K

S4M1Wx-E35MC-xxx-xx : SIGMA 4000, 3000 lumens, medium beam spread, clear protective lens



Beam Details

D	Lux	FC	L	W
4'	3826	355	2.6'	2.6'
8'	956	89	5.2'	5.2'
12'	425	39	7.8'	7.8'
16'	239	22	10.4'	10.4'
20'	153	14	13.1'	13.1'

Zonal Lumen Summary

Zone	Lumens	% Luminaire
0-30	2086	84.45%
0-40	2315	93.72%
0-60	2413	97.69%
60-90	29.4	1.19%
70-100	17.2	0.70%
90-120	10.1	0.41%
0-90	2443	98.91%
90-180	27.6	1.12%
0-180	2470	100%