

# ALU LINEAR



Wall effect series. Fixtures consist of:

- Multi-step powder-coat painting process, optimized against UV rays and corrosion.
- Copper-free precision machined anodized aluminum housing and optical compartment.
- Clear UV-stabilized diffuser.
- Custom molded, anti-aging gasket(s).
- Stainless steel external hardware.
- Single (M) or dual (B) light emission.
- 6° x 6° beam angle (C/I).
- 25° x 25° beam angle (C/M).
- 40° x 40° beam angle (C/M).
- 10° x 45° beam angle (ELL).
- Input voltage is 120-277 V (50/60 Hz), integral driver for "120-277" models only.

- Matching junction box plate optional accessory available (ordered separately).
- Consult factory for dimming options, custom finishes (please specify RAL color), and non-cataloged CCT (Kelvin) options.
- For models not in the "120-277" category, a 700 mA constant current driver is available as an accessory or by others (to be removed). Consult factory for more information.
- Product meets Buy American Act requirements within ARRA.
- 5-year warranty.
- Marine Grade finish.
- Suitable for Natatorium applications.

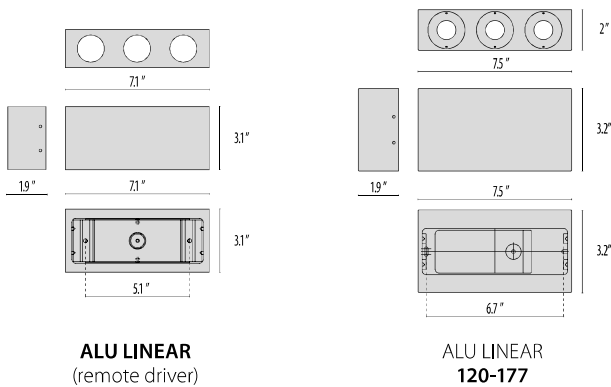


## FINISHES

- BK-40 / Anodized black / Matt
- GR-EV1 / Anodized aluminum / Matt

## WITH MOQ 30

- AN-96 / Iron gray / Textured
- BK-81 / Black / Textured
- GR-94 / Aluminum metallic / Textured
- WH-87 / White / Textured
- RB-10 / Iron rust / Textured



Lumen Output	27K	3K	35K	4K	6K
Alu Linear M	186	197	208	219	242
Alu Linear B	372	394	417	439	484
Alu Linear 120-277V M ELL	225	236	255	270	304
Alu Linear 120-277V B ELL	437	470	506	539	609
Alu Linear 120-277V M 6°	275	296	317	338	380
Alu Linear 120-277V B 6°	551	593	635	677	761
Alu Linear 120-277V M 25°	213	231	248	266	302
Alu Linear 120-277V B 25°	427	462	497	533	604
Alu Linear 120-277V M 40°	251	270	289	308	347
Alu Linear 120-277V B 40°	500	539	577	616	694

8.9W Max Wattage - M  
14W Max Wattage - B



Scan here  
for installation  
instructions

# Order Guide - Alu Linear



Order code example

**ALI-M-RDR-6-AA-3K-120-NA-JBOX**

ALI-

Light Emission	Housing Style	Optics	Finish	Kelvin	Voltage	Controls	Accessories
<b>M</b> (One-Way)	<b>RDR</b> Remote driver	<b>6</b> 6 degrees	<b>AA</b> Anodized Aluminum	<b>27K</b> 2700k	<b>UNV</b> 120-277V	<b>NA</b> Non Dimming	<b>JBOX</b> Jbox cover
<b>B</b> (Two-Way)	<b>IDR</b> Intregal driver	<b>25</b> 25 degrees	<b>AB</b> Anodized Black	<b>3K</b> 3000k		<b>0-10V</b> 0-10V Dimming  <b>ELV</b> ELV Dimming	<b>REM</b> Remote Emergency Battery Back-up
		<b>40</b> 40 degrees		<b>35K</b> 3500k			
		<b>ELL</b> 10x45 degrees		<b>4K</b> 4000k			
		<b>WB</b> Wide Beam		<b>6K</b> 6000k			
		<b>SELECT ONE FOR M</b>		<b>RED</b> Static Red			
		<b>SELECT TWO FOR B</b>	<b>GRN</b> Static Green				
			<b>BLU</b> Static Blue				
			<b>AMB</b> Amber				

Performance in Lighting reserves the right to make all necessary changes without prior notice.

Performance in Lighting - 2621 Keys Pointe - Conyers, Georgia 30013 - USA - voice 770.822.2115 - info.usa@pil.lighting  
www.performanceinlighting.com

Revision 02  
10/22