

# ALU SQUARE 1



Wall sconce series. Fixtures consist of:

- Multi-step powder-coat painting process, optimized against UV rays and corrosion.
- Copper-free precision machined anodized aluminum housing and optical compartment.
- Clear UV-stabilized diffuser.
- Custom molded, anti-aging gasket(s).
- Stainless steel external hardware.
- Wall effects light emission.
- 6° x 6° beam angle (C/I).
- 25° x 25° beam angle (C/M).
- 40° x 40° beam angle (C/M).
- 10° x 45° beam angle (ELL).
- Input voltage is 120-277 V (50/60 Hz), integral driver for "120-277" models only.

- Matching junction box plate optional accessory available (ordered separately).
- For models not in the "120-277" category, a 700 mA constant current driver is available as an accessory or by others (to be removed). Consult factory for more information.
- Consult factory for dimming options, custom finishes (please specify RAL color), and non-cataloged CCT (Kelvin) options.
- Consult factory for custom optics options.
- Product meets Buy American Act requirements within ARRA.
- 5-year warranty.
- Marine Grade finish.
- Suitable for Natatorium applications.

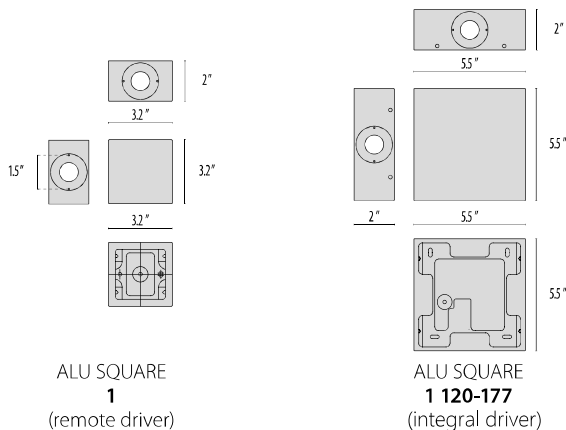


## FINISHES

- BK-40 / Anodized black / Matt
- GR-EV1 / Anodized aluminum / Matt

## WITH MOQ 30

- AN-96 / Iron gray / Textured
- BK-81 / Black / Textured
- GR-94 / Aluminum metallic / Textured
- WH-87 / White / Textured
- RB-10 / Iron rust / Textured



Lumen Output	27K	3K	35K	4K	6K
Alu 1 - 10°x45°	61	67	75	82	98
Alu 1 - 25°	63	68	74	79	91
Alu 1 - 40°	69	76	86	93	111
Alu 1 - 6°	80	85	92	98	111
Alu 1 - 120-277V-10°x45°	40	44	47	50	56
Alu 1 - 120-277V-25°	36	39	42	44	50
Alu 1 - 120-277V-40°	50	53	57	60	68
Alu 1 - 120-277V-6°	52	57	62	67	74

2.1W Max Wattage



Scan here  
for installation  
instructions

# Order Guide - Alu Square 1



Order code example

**AS1-RDR-AA-6-3K-120-NA**

AS1-

Housing Style	Finish	Optics	Color Temperature	Voltage	Controls	Accessories
<b>RDR</b> Remote driver	<b>AA</b> Anodized Aluminum	<b>6</b> 6 degrees	<b>27K</b> 2700k	<b>UNV</b> 120-277V	<b>NA</b> Non Dimming	<b>JBOX</b> Jbox cover
<b>IDR</b> Integral driver	<b>AB</b> Anodized Black	<b>25</b> 25 degrees	<b>3K</b> 3000k		<b>0-10V</b> 0-10V Dimming	<b>RDR</b> Remote Driver (1:1) Other options available
	<b>*Finishes Below Available MOQ30 pieces*</b>	<b>40</b> 40 degrees	<b>35K</b> 3500k		<b>ELV</b> ELV Dimming	
	<b>ELL</b> 10x45 degrees	<b>4K</b> 4000k	<b>4K</b> 4000k			<b>REM</b> Remote Emergency Battery Back-Up
	<b>WB</b> Wide Beam	<b>6K</b> 6000k	<b>6K</b> 6000k			
	<b>AM</b> Aluminum Metallic		<b>RED</b> Static Red			
	<b>IG</b> Iron Gray		<b>GRN</b> Static Green			
	<b>WH</b> Textured White		<b>BLU</b> Static Blue			
	<b>IR</b> Iron Rust		<b>AMB</b> Amber			
	<b>BK</b> Textured Black					
	<b>CC</b> Custom Color					

Performance in Lighting reserves the right to make all necessary changes without prior notice.

Performance in Lighting - 2621 Keys Pointe - Conyers, Georgia 30013 - USA - voice 770.822.2115 - info.usa@pil.lighting  
www.performanceinlighting.com

Revision 02