

# AMON MAXI



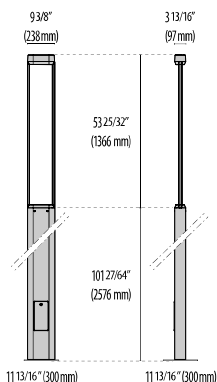
Lighting column series. Fixtures consist of:

- Multi-step powder-coat painting process, optimized against UV rays and corrosion.
- Robust copper-free extruded aluminum column profile and copper-free precision die-cast aluminum housing, ring/faceplate, top cap, and inspection access door.
- Extra-clear, flat, tempered silk-screened soda-lime glass diffuser.
- Satin UV-stabilized, high-impact resistant diffuser (SOFT versions).
- Custom molded, anti-aging gasket(s).
- Stainless steel external hardware.
- Custom MCPCB utilized to maximize heat dissipation and promote a long LED life.
- High-transmittance transparent optics.
- High-efficiency COB, combined with an optimized passive cooling system, provides a long LED life.
- Internal specular reflector coated with 5-layers of PVD 99.98% pure aluminum providing >95% reflection.
- IESNA Type II light distribution.
- IESNA Type I light distribution.
- IESNA Type V light distribution.
- Diffuse light emission (SOFT).
- Input voltage: 120-277 V (50 / 60 Hz), integral 0-10 V dimming driver.
- Integral surge protector can withstand up to 10 kV transient line surge.
- Steel ground base plate included for bollards.
- Consult factory for dimming options, custom finishes (please specify RAL color), and non-cataloged CCT (Kelvin) options.
- Consult factory for custom post height options.
- Base heavy-duty covers, anchor bolts, and direct-burial support available for AMON MINI / MAXI (ordered separately).
- 5-year warranty.
- Product meets Buy American Act requirements within ARRA.
- Marine Grade finish.
- Suitable for Natatorium applications.
- Rated for 101 mph max wind zone.

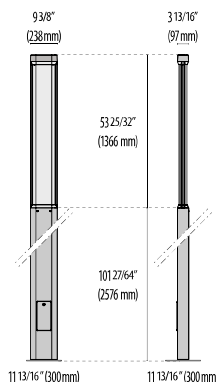


## FINISHES

- AN-96 / Iron gray / Textured
- BK-81 / Black / Textured
- GR-94 / Aluminum metallic / Textured
- WH-87 / White / Textured
- RB-10 / Iron rust / Textured



AMON  
MAXI



AMON  
MAXI SOFT



Scan here  
for installation  
instructions

Lumen Output	27K	3K	35K	4K	5k
Amon Maxi Soft	3834	3937	4040	4144	4247
Amon Maxi T1	1343	1404	1465	1526	1587
Amon Maxi T2	1333	1393	1453	1514	1574
Amon Maxi T5 43W	1781	1881	1981	2081	2181
Amon Maxi T5 90W	3519	3574	3629	3684	3739

# Order Guide - Amon Maxi



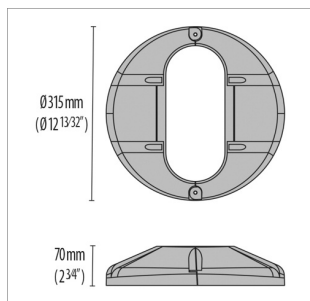
Order code example

**AMX-47-OPEN5-90-AM-3K-120-NA-BC-ANC**

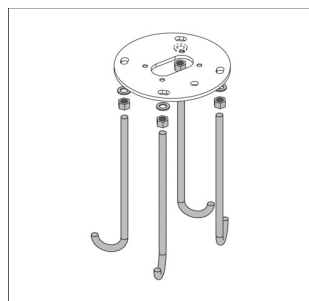
AMX-

Column Height	Optics	Wattage	Finish	Kelvin	Voltage	Controls	Accessories
<b>90</b> 90 Inch (7.5' OAH)	<b>OPEN5</b> Type V	<b>28</b> 28 watt	<b>AM</b> Aluminum Metallic	<b>27K</b> 2700k	<b>UNV</b> 120-277V	<b>NA</b> Non Dimming	<b>BC</b> Base Cover
	<b>OPEN1</b> Type I	<b>43</b> 43 watt	<b>IG</b> Iron Gray	<b>3K</b> 3000k			
<b>155</b> 155 Inch (12.9' OAH) (Standard)	<b>OPEN2</b> Type II	<b>80</b> 80 watt (soft max)	<b>IR</b> Iron Rust	<b>35K</b> 3500k	<b>ELV</b> ELV Dimming	<b>DB</b> Direct Burial Base	
	<b>SOFT</b> Type V Diffuse	<b>90</b> 90 watt (open max)	<b>BK</b> Textured Black	<b>4K</b> 4000k			
<b>180</b> 180 Inch (15' OAH) (max)			<b>WH</b> Textured White	<b>RED</b> Static Red		<b>HSS</b> House Side Shield	
			<b>CC</b> Custom Color	<b>BLU</b> Static Blue			
<b>XX</b> Specify Height Must be within range		<b>XX</b> Specify Wattage Must be below max		<b>GRN</b> Static Green		<b>PHC1</b> 120V Photocell	
				<b>AMB</b> Amber			<b>OCC1</b> on/off Occupancy Sensor
						<b>OCC2</b> hi/lo Occupancy Sensor	

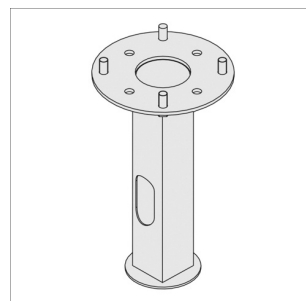
## OPTIONAL ACCESSORIES



Base Cover



Anchor Bolts w/ template



Direct Burial Base



AMON MAXI fixture on a MINI post. Overall height is 7.5-feet (4.5' fixture, 3' post).

Performance in Lighting reserves the right to make all necessary changes without prior notice.

Performance in Lighting - 2621 Keys Pointe - Conyers, Georgia 30013 - USA - voice 770.822.2115 - info.usa@pil.lighting  
www.performanceinlighting.com

Revision 05  
04/23