

AMON WALL



Long-lasting energy-efficient wall pack series. Fixtures consist of:

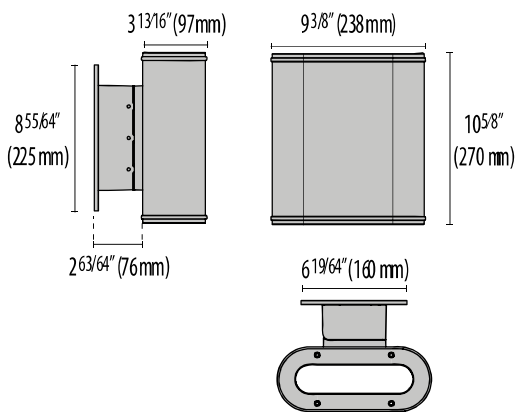
- Multi-step powder-coat painting process, optimized against UV rays and corrosion.
- Copper-free extruded aluminum housing and copper-free precision die-cast aluminum ring/faceplate, bracket (WALL versions) and mounting plate.
- Extra-clear, flat, tempered silk-screened soda-lime glass diffuser.
- Custom molded, anti-aging gasket(s).
- Stainless steel external hardware.
- Custom MCPCB utilized to maximize heat dissipation and promote a long LED life.
- High-transmittance transparent optics.
- Single (M) or dual (B) light emission.
- IESNA Type II light distribution.
- IESNA Type I light distribution.
- 26° x 70° beam angle (NB).

- Input voltage: 120-277 V (50 / 60 Hz), integral 0-10 V dimming driver.
- Integral, emergency battery-pack designed for a minimum operation of 90 minutes (EMPK versions).
- Standard hinged bracket for ease of installation: wiring can be completed by mounting the bracket ahead of the luminaire, then sliding luminaire onto the bracket using quick connectors system, then securing the luminaire by tightening the stainless steel set screws (WALL versions only).
- Consult factory for dimming options, custom finishes, and non-cataloged CCT (Kelvin) options.
- Product meets Buy American Act requirements within ARRA.
- 5-year warranty.
- Marine Grade finish.
- Suitable for Natatorium applications.



FINISHES

- AN-96 / Iron gray / Textured
- BK-81 / Black / Textured
- GR-94 / Aluminum metallic / Textured
- WH-87 / White / Textured
- RB-10 / Iron rust / Textured



AMON
WALL

Scan here
for installation
instructions



LUMEN OUTPUT	2700K	3000K	3500K	4000K
B- T1	3190	3334	3478	3622
B- T1+NB	2026	2170	2358	2358
B- T2	3144	3288	3429	3571
B-T2+NB	2003	2147	2239	2332
M-T1	1595	1667	1739	1811
M-T1 EMPK	1595	1667	1739	1811
M-T2	1572	1644	1715	1786
M-T2 EMPK	1572	1644	1715	1786

28W Max Wattage - M
56W Max Wattage - B

ITEMS WITH NB ARE NOT EQUAL UP/DOWN LIGHT
NARROW BEAM IS POWERED AT 10W MAX

Revision 03
06/23



Order Guide - Amon Wall

Order code example

AMW-B-AM-T1-T2-27K-120-NA

AMW

Output	Wattage	Finish	Optics	Kelvin /Static Colors	Voltage	Controls	Options
M (One-Way)	28W 28 Watt (M) Max	AM Aluminum Metallic	Pick One for M & Two for B T1 Type I	27K 2700K	UNV 120-277V	NA Non Dimming 0-10V 0-10V Dimming ELV ELV Dimming	EMPK Integral Emergency Battery Back Up (M) PHC Photocell Button
B (Two-Way)	37W 37 Watt (B)	IG Iron Gray	T2 Type II	3K 3000K			
	56W 56 Watt (B) Max	IR Iron Rust	NB Narrow Beam (26°x70°)	35K 3500K			
	XX Specify Wattage Must be below max	BK Textured Black WH Textured White CC Custom Color	16° 16° Beam 30° 30° Beam	4K 4000K BLU Static Blue (445-460nm)			