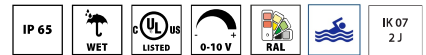




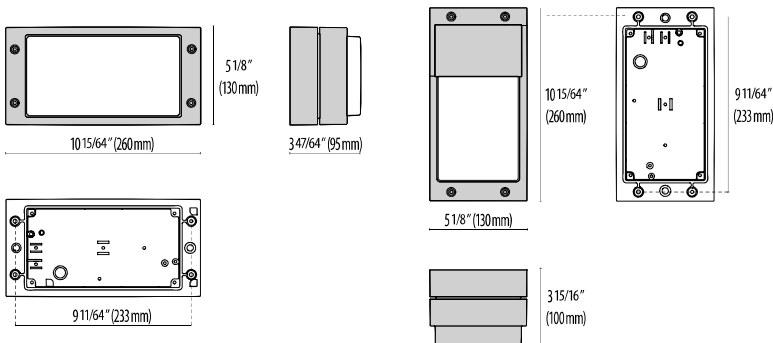
- Surface-mount doorway and hallway lights and post mount series. Fixtures consist of:
- Multi-step powder-coat painting process, optimized against UV rays and corrosion.
 - Copper-free die-cast aluminum housing, ring, and faceplates.
 - Copper-free aluminum extruded post.
 - High transmittance, internally coated, pressed glass diffuser, thermally, and chemically quenched to strengthen the impact resistance and reduce the effect of rapid temperature changes.
 - Custom molded, anti-aging gasket(s).
 - Stainless steel external hardware.
 - Custom MCPCB utilized to maximize heat dissipation and promote long LED life.
 - Tiltable LED board mounting bracket allows for quick and easy installation.
 - 100% uniform diffused light emission.

- Input voltage: 120-277 V (50 / 60 Hz), integral 0-10 V dimming driver.
- Five optional finishes available. Add finish suffix to any part number for textured Black (BK-81), Iron gray (AN-96), Aluminum metallic (GR-94), White (WH-87), Iron rust (RB-10) when not standard.
- Consult factory for dimming options, marine-grade, custom finishes (please specify RAL color), and non-cataloged CCT (Kelvin) options including static colors.
- Consult factory for custom signage options.
- Product meets Buy American Act requirements within ARRA.
- 5-year warranty on components.
- 10-year warranty on glass.
- Marine Grade finish.
- Suitable for Natatorium applications.



FINISHES

- AN-96 / Iron gray / Textured
- GR-94 / Aluminum metallic / Textured
- BK-81 / Black / Textured
- WH-87 / White / Textured
- RB-10 / Iron rust / Textured



BLIZ

BLIZ
VISA/V



Scan here
for installation
instructions

Lumen Output	27K	3K	35K	4K	6K
Bliz	972	995	1017	1040	1062
Bliz Guard	652	667	682	698	713
Bliz Visa	593	607	621	635	649
Bliz Visa V	639	654	669	684	699

19.5W Max Wattage



Order Guide - Bliz

Order code example

BZ-O-AM-3K-120-NA-SIGN

BZ- [] [] [] [] [] [] []

Trim Style	Wattage	Finish	Color Temperature	Voltage	Controls	Accessories	
O Open	19.5 19.5 Watt (max)	AM Aluminum Metallic	27K 2700k	UNV 120-277V	NA Non Dimming	Sign Logo/Signage	
G Guard		IG Iron Gray	3K 3000k			0-10V 0-10V Dimming	REM Remote mounted Emergency battery back-up
V Visa		IR Iron Rust	35K 3500k			ELV ELV Dimming	TR Tamper Resistant hardware
VV Visa Vertical		BK Textured Black	4K 4000k				
		WH Textured White	RED Static Red				
	CC Custom Color	BLU Static Blue					
			GRN Static Green			P20 20" Bollard	
			AMB Amber			P40 40" Bollard	
			RGBW RGBW* Consult factory for control details				



Customised covers (with logos, letters, etc.) are available upon request.

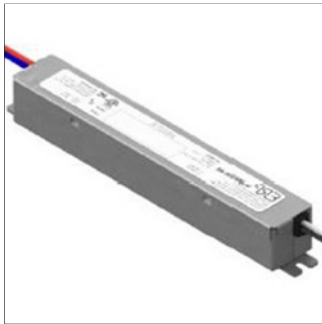
OPTIONAL RGBW ACCESSORIES

DESCRIPTION	FINISH	PART NUMBER
Controls		
Kit driver 48V		17433
Kit driver 48V WP		17096
RF Controls		
RGBW RF controller 4 channel (0.4A each CH)		3104174
RGBW RF controller WP 4 channel (0.4A each CH)		31041740
RGBW hand held remote		310429
WIFI Controls		
RGBW WIFI controller 4 channel (0.4A each CH)		3104164
RGBW WIFI controller WP 4 channel (0.4A each CH)		31041640
DMX Controls		
RGBW DMX enabler/decoder 4 channel (0.4A each CH)		178974
RGBW DMX enabler/decoder WP 4 channel (0.4A each CH)		1789740
Terminating resistor		11015
Terminating resistor WP		110150



App (free) – “EasyLighting”

EasyLighting is an application that uses a WIFI network to control, adjust, and customize the lighting color or CCT, brightness, and the rate of change. With this application you can control EasyLighting products through most mobile devices



17433



17096



3104174



31041740
31041640
1789740



310429



3104164



178974



11015



110150