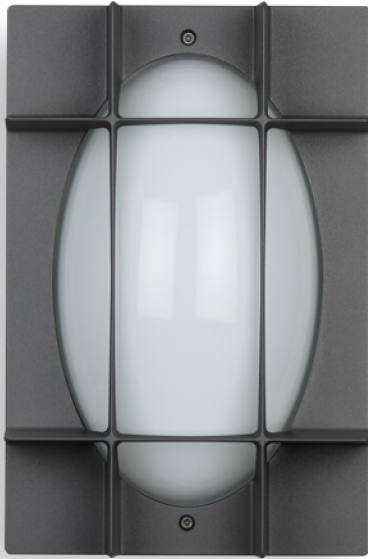


BLIZ OVAL



Fixture shown with vertical signage



Fixture shown with horizontal signage



Wall mount series. Fixtures consist of:

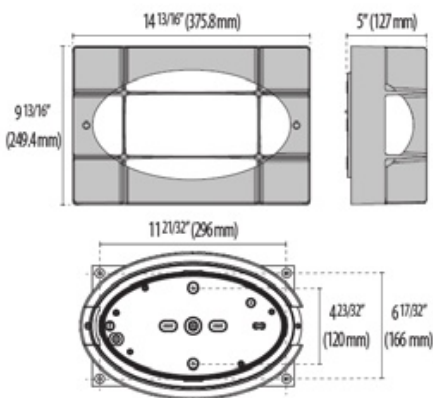
- Multi-step powder-coat painting process, optimized against UV rays and corrosion.
- Copper-free precision die-cast aluminum housing and ring/faceplate.
- High transmittance, internally coated, pressed glass diffuser, thermally, and chemically quenched to strengthen the impact resistance and reduce the effect of rapid temperature changes.
- Custom molded, anti-aging gasket(s).
- Stainless steel external hardware.
- Custom MCPCB utilized to maximize heat dissipation

- and promote long LED life.
- 100% uniform diffused light emission.
- Input voltage: 120-277 V (50 / 60 Hz), integral 0-10 V dimming driver.
- The luminaire may be configured with numerous options and multiple standard finishes. Not all options are available in all configurations. Consult factory for more information about specification sheet details.
- Product meets Buy American Act (BAA) requirements within ARRA.
- 5-year warranty.



FINISHES

- AN-96 / Iron gray / Textured
- GR-94 / Aluminum metallic / Textured
- WH-87 / White / Textured
- BK-81 / Black / Textured
- RB-10 / Iron rust / Textured



BLIZ OVAL



Scan here
for installation
instructions

Order Guide - Bliz Oval



Order code example

BO-

--	--	--	--	--	--

Wattage	Finish	Color Temperature	Voltage	Controls	Options
24W (max) XX Specify wattage must be under max	AM Aluminum Metallic IG Iron Gray IR Iron Rust BK Textured Black WH Textured White CC Custom Color	27K 2700K 3K 3000K 35K 3500K 4K 4000K 5K 5000K 65K 6500K RED Static Red BLUE Static Blue GRN Static Green AMB Static Amber	UNV 120-277V	NA Non Dimming 0-10V 0-10V Dimming ELV ELV Dimming	VSIGN Vertical Signage HSIGN Horizontal Signage REM Remote Emergency Battery Back-Up TP Tamper Proof hardware