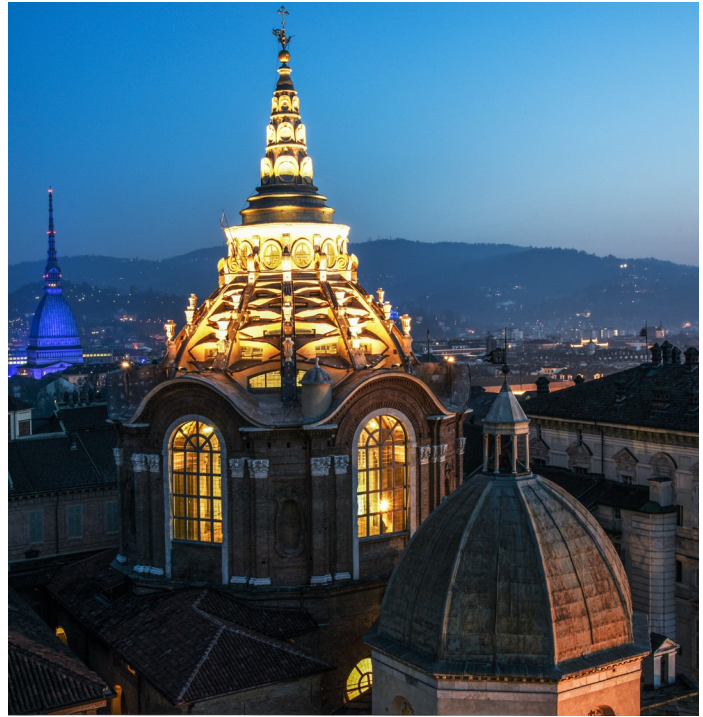


FOCUS+ 2



Long-lasting energy-efficient architectural, landscape and professional flood light series. Fixtures consist of:

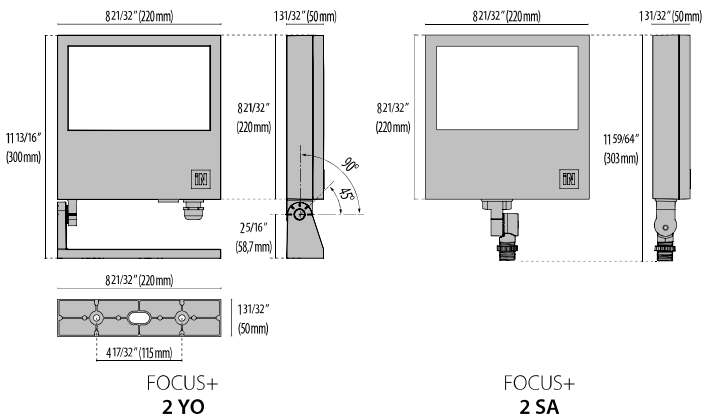
- Multi-step powder-coat painting process, optimized against UV rays and corrosion.
- Copper-free precision die-cast aluminum housing, ring/faceplate, and adjustable mounting bracket.
- Extra-clear, flat, tempered silk-screened soda-lime glass diffuser.
- Custom molded, anti-aging gasket(s).
- Stainless steel external hardware.
- Custom MCPCB utilized to maximize heat dissipation and promote a long LED life.
- High-transmittance transparent optics.
- NEMA 4H x 3V light distribution (ELL).
- NEMA 3H x 3V light distribution (C/I).
- NEMA 4H x 4V light distribution (C/M).
- NEMA 5H x 5V light distribution (C/W).
- NEMA 3H x 7V light distribution (Type I).

- NEMA 5H x 7V light distribution (Type IV).
- Input voltage: 120-277 V (50 / 60 Hz), integral 0-10 V dimming driver.
- Pre-wired factory sealed cable for external electrical connection included.
- Standard robust 1/2" NPS knuckle mount with 180° adjustable swivel arm (SA versions) and rugged, locking teeth for a simplified installation.
- Matching junction box plate optional accessory available (ordered separately).
- Consult factory for dimming options, custom finishes (please specify RAL color), and non-cataloged CCT (Kelvin) options.
- Consult factory for custom optics options.
- Product meets Buy American Act requirements within ARRA.
- 5-year warranty.
- Marine Grade finish.
- Suitable for Natatorium applications.



FINISHES

- AN-96 / Iron gray / Textured
- RB-10 / Iron rust / Textured
- BK-81 / Black / Textured
- GR-94 / Aluminum metallic / Textured
- WH-87 / White / Textured



Lumen Output	27K	3K	35K	4K	6K
Focus+Two C/I	1845	1960	2074	2189	2303
Focus+Two C/M	1839	1953	2067	2181	2295
Focus+Two C/W	1718	1824	1930	2037	2143
Focus+Two ELL	1932	2052	2172	2292	2412
Focus+Two T1	1745	1853	1961	2069	2177
Focus+Two T4	1749	1857	1965	2074	2182

27W Max Wattage

Scan here
for installation
instructions



Order Guide - Focus+Two



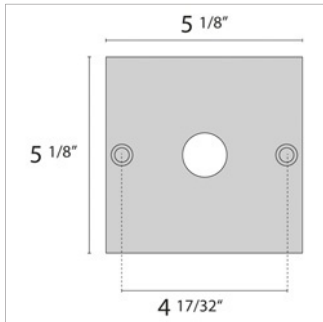
Order code example

F+2-YO-27-T4-AM-27K-120V-NA-FG

F+2

Housing Style	Wattage	Optics	Finish	Kelvin	Voltage	Controls	Accessories
YO Yoke	27 27 watt (max)	T1 Type I	AM Aluminum Metallic	27K 2700k	UNV 120-277V	NA Non Dimming	Jbox Square Jbox cover
SA Swivel	XX Specify Wattage Must be below max	T3 Type III	IG Iron Gray	3K 3000k		0-10V 0-10V Dimming	WS20 Wall Support 20" (yoke mount only)
		C/I 17° beam	IR Iron Rust	35K 3500k		ELV ELV Dimming	WS40 Wall Support 40" (yoke mount only)
		C/M 34° beam	BK Textured Black	4K 4000k			MC3.5 Mounting Collar for 3.5" Pole
		C/W 56° beam	WH Textured White				MC2.3 Mounting Collar For 2.3" Pole
		ELL Elliptical 15"x45°	CC Custom Color				BD Barn Door Kit

OPTIONAL ACCESSORIES



07959- Square Jbox Cover



14173394 - 20" Wall Support



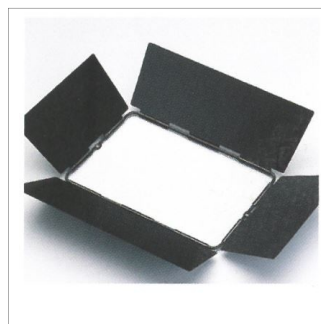
14453994 - 40" Wall Support



14099696 - Mounting Collar for 3.5" Pole



14099896 - Mounting Collar for 2.3" Pole



Barn Door Kit