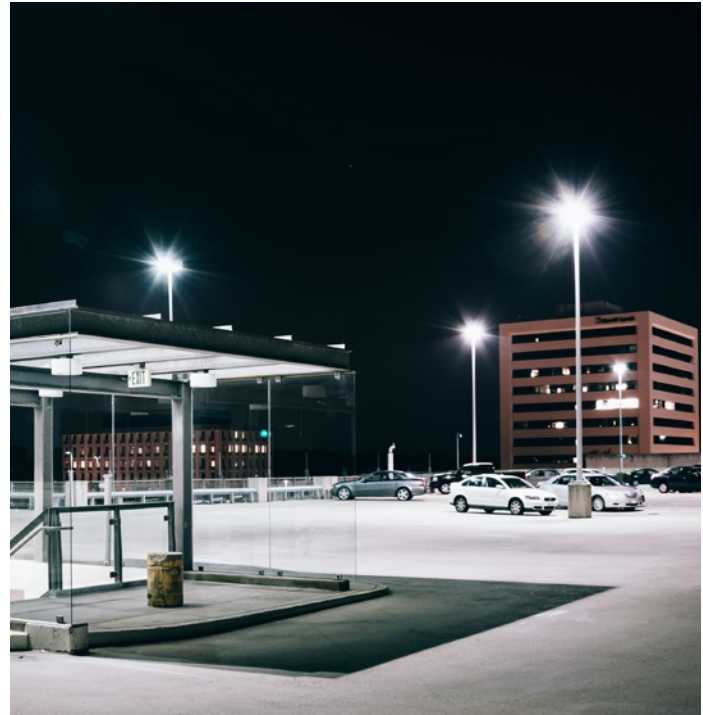


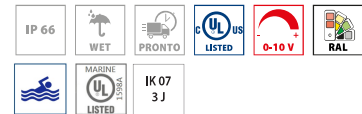
GUELL 3



Long-lasting energy-efficient architectural, landscape and professional flood light series. Fixtures consist of:

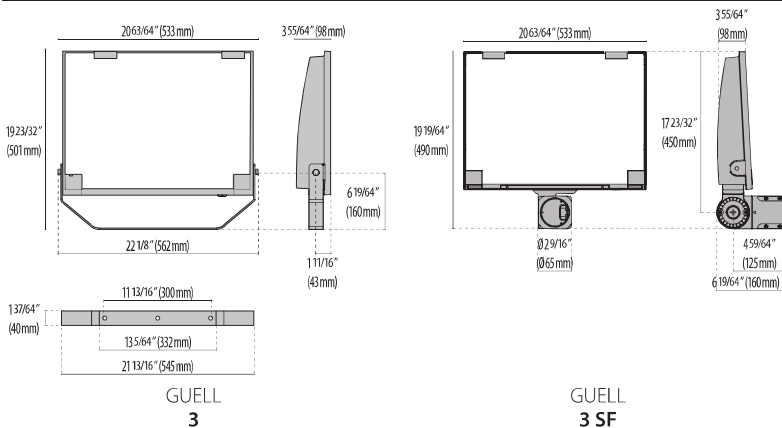
- Copper-free precision die-cast aluminum housing, and adjustable steel mounting bracket.
- Extra-clear, flat, tempered silk-screened soda-lime glass diffuser.
- Custom molded, anti-aging gasket(s).
- Stainless steel external hardware.
- High-efficiency COB, combined with an optimized passive cooling system, provides a long LED life.
- Internal specular reflector coated with 5-layers of PVD 99.98% pure aluminum providing >95% reflection.
- NEMA 6H x 5V light distribution (Type II).
- NEMA 7H x 6V light distribution (S/W).
- NEMA 7H x 5V light distribution (A50/W).
- Input voltage: 120-277V (50 / 60 Hz), integral 0-10 V dimming driver.
- Pre-wired factory sealed cable for external electrical connection included. (5.5' Standard)

- Standard quick release latch(es) allow for tool-free access.
- Standard heavy-duty slip-fitter (SF versions) for 2 3/8" OD pipe for a simplified installation.
- Louver, frosted glass, protective grid, wall support 19.69" / 39.37", single or double pole top support, and matching junction box plate accessories available (ordered separately).
- Consult factory for dimming options, custom finishes (please specify RAL color), and non-cataloged CCT (Kelvin) options.
- Consult factory for custom pre-wired factory sealed cable length options.
- Product meets Buy American Act requirements within ARRA.
- 5-year warranty.
- Marine Grade finish.
- Suitable for Natatorium applications.



FINISHES

- GR-94 / Aluminum metallic / Textured
- RB-10 / Iron rust / Textured
- BK-81 / Black / Textured
- AN-96 / Iron gray / Textured
- WH-87 / White / Textured



Lumen Output	3K	4K
Guell 3 A50/W 230W	27376	27496
Guell 3 A50/W 305W	35694	35814
Guell 3 S/W 165W	17525	17645
Guell 3 S/W 240W	25176	25296
Guell 3 S/W 320W	33702	33822
Guell 3 T2 165W	16466	16586
Guell 3 T2 240W	23658	23778
Guell 3 T2 320W	31673	31793

Order Guide - Guell Three



Order code example

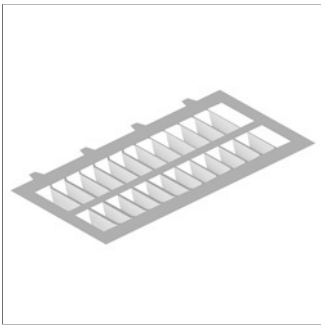
GU3-

GU3-

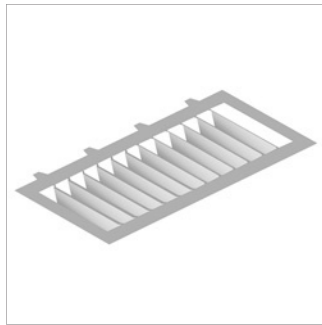
Housing Style	Wattage	Optics	Finish	Kelvin	Voltage	Controls	Accessories
YO Yoke SF Slipfitter	165 165 watt	S/W nema 7Hx6V	AM Aluminum Metallic	2K 2000k	UNV 120-277V	NA Non Dimming 0-10V 0-10V Dimming	PEN1 Single Fixture Pendant
	230 230 watt (A50/W)	A/W nema 6Hx5V	IG Iron Gray	27K 2700k			PEN2 Double Fixture Pendant
	240 240 watt	A50/W 7Hx5V	IR Iron Rust	3K 3000k			Jbox Plate Jbox cover
	305 305 watt (A50/W)		BK Textured Black	35K 3500k			OCC Occupancy Sensor (on/off)
	320 320 watt (max)		WH Textured White	4K 4000k			OCC2 Occupancy Sesnor (Hi/Lo)
	XX Specify Wattage Must be below max		CC Custom Color	5K 5000k			PHC Photocell
				65K 6500k			FRST Frosted Glass
		RED Static Red	GS Glare Shield				
		GRN Static Green	GRID Protective Glass Grid Cover				
		BLU Static Blue	LVR1 Anti-Glare Louver (symmetrical)				
			LVR2 Anti-Glare Louver (asymmetrical)				

OPTIONAL ACCESSORIES

DESCRIPTION	FINISH	PART NUMBER
GUELL 3/A		
Louvre GUELL 3 Asymmetrical A40/W		14454520
GUELL 3/S		
Louvre GUELL 3 Symmetrical		14454220
GUELL 3		
Cover A/40W	●	14452894
Frosted glass GUELL 3	●	14452994
Protective grid		14452702
Single pole top support GUELL 3 for poles Ø 60-76 mm/Ø 2.36"-2.99"	●	14453794
Wall mount support 1000 mm/39,37"	●	14453994
Double pole top support GUELL 3 for poles Ø 60-76 mm/Ø 2.36"-2.99"	●	14453894
Plate Cover JBox	●	07957



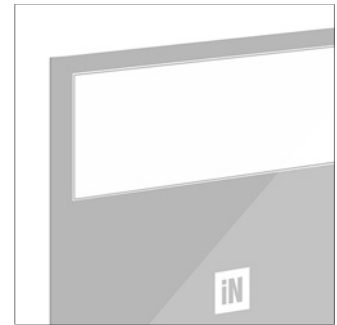
14454520



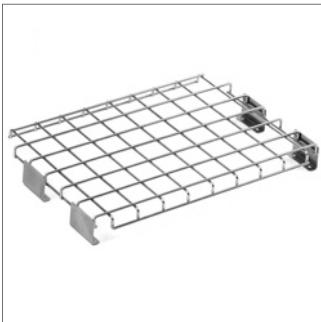
14454220



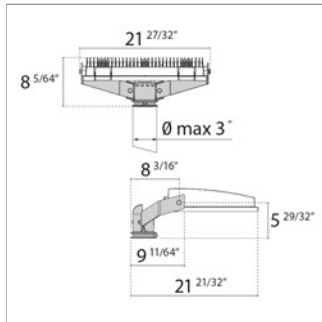
14452894



14452994



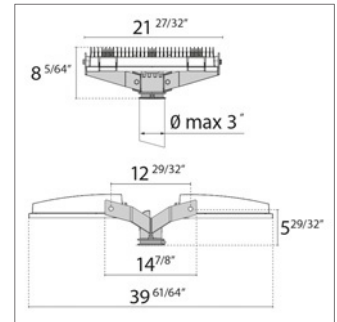
14452702



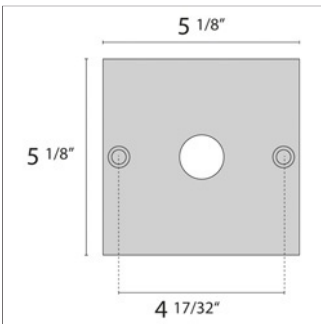
14453794



14453994



14453894

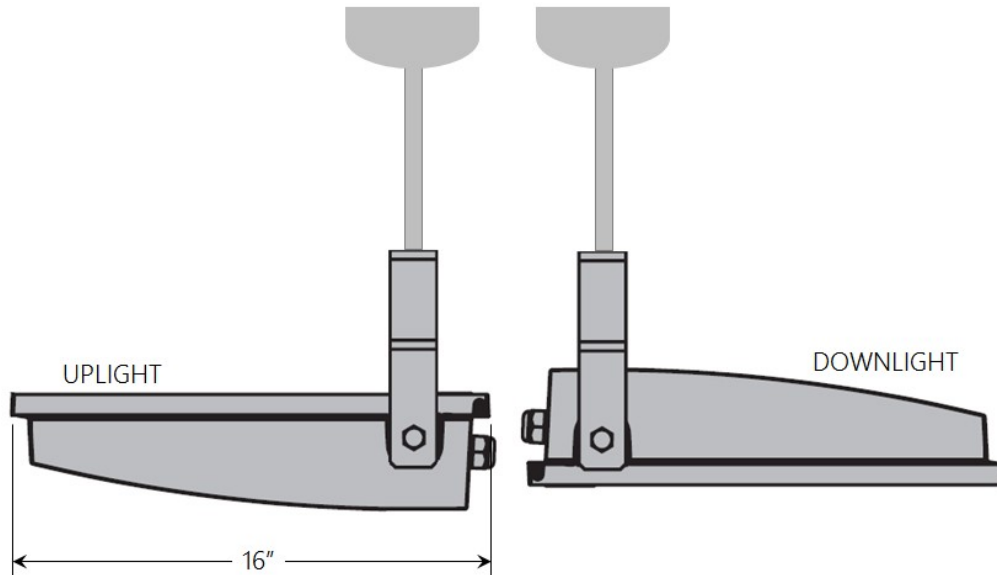


07957

GUELL PENDANTS*

GUELL 3 – Single fixture pendant*

- Each fixture has its own stem/pendant (length to be specified by the customer).
- A $\varnothing 5''$ canopy cover that matches the fixture is provided to cover the jbox.
- *NOTE: Single pendants may not hang perfectly straight due to the offset center of gravity.



GUELL 3 – Double fixture pendant

- Each pair of fixtures has a stem/pendant (length to be specified by the customer)
- Because of the weight, this set up cannot be mounted to a jbox. Instead, it is provided with a high-bay hook and a separate jbox cover.

