

GUELL 4



Long-lasting energy-efficient architectural, landscape and professional flood light series. Fixtures consist of:

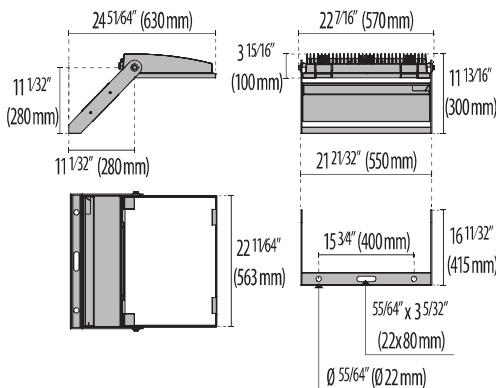
- Copper-free precision die-cast aluminum housing, and adjustable steel mounting bracket.
- Extra-clear, flat, tempered silk-screened soda-lime glass diffuser.
- Custom molded, anti-aging gasket(s).
- Stainless steel external hardware.
- High-efficiency COB, combined with an optimized passive cooling system, provides a long LED life.
- Internal specular reflector coated with 5-layers of PVD 99.98% pure aluminum providing >95% reflection.
- NEMA 7H x 7V light distribution (S/W).
- NEMA 7H x 5V light distribution (Type II).
- Input voltage: 120-277 V (50 / 60 Hz), integral driver.

- Pre-wired factory sealed cable for external electrical connection included.
- Standard quick release latch(es) allow for tool-free access.
- Louver, frosted glass, protective grid and matching junction box plate accessories available (ordered separately).
- Consult factory for dimming options, custom finishes (please specify RAL color), and non-cataloged CCT (Kelvin) options.
- Consult factory for custom pre-wired factory sealed cable length options.
- Product meets Buy American Act requirements within ARRA.
- 5-year warranty.
- Marine Grade finish.
- Suitable for Natatorium applications.



FINISHES

- GR-94 / Aluminum metallic / Textured
- BK-81 / Black / Textured
- AN-96 / Iron gray / Textured
- WH-87 / White / Textured



GUELL
4

Scan here
for installation
instructions



Lumen Output	3K	4K
Guell 4 S/W 420W	52976	53096
Guell 4 T2 420W	48772	48892

Order Guide - Guell Four



Order code example

GU4

GU4

Wattage	Optics	Finish	Kelvin	Voltage	Controls	Accessories
420 420 watt (max) XX Specify Wattage Must be below max	S/W nema 7Hx7V A40/W nema 7Hx5V	AM Aluminum Metallic IG Iron Gray IR Iron Rust BK Textured Black WH Textured White CC Custom Color	3K 3000K 35K 3500K 4K 4000K 5K 5000K	UNV 120-277V	NA Non Dimming 0-10V 0-10V Dimming	FRST Frosted Glass LVR Louver Asymmetric GRID Protective Glass Grid Cover