

HEDO+



Area and site lighting series. Fixtures consist of:

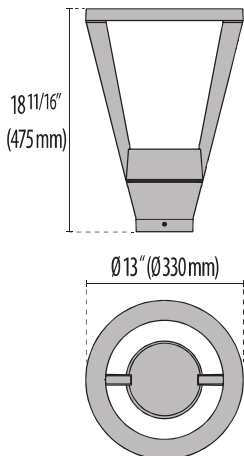
- Multi-step powder-coat painting process, optimized against UV rays and corrosion.
- Copper-free precision die-cast aluminum housing and top cap.
- Custom molded, anti-aging gasket(s).
- Micro-prismatic patterned, tempered, silk-screened, flat glass diffuser.
- Stainless steel external hardware.
- Custom MCPCB utilized to maximize heat dissipation and promote a long LED life.
- IESNA Type V light distribution.
- Input voltage: 120-277 V (50 / 60 Hz), integral 0-10 V dimming driver.
- Integral surge protector can withstand up to 10 kV transient line surge.
- Pre-wired factory sealed cable for external electrical connection included.
- Consult factory for dimming options, marine-grade,

- custom finishes (please specify RAL color), and non-cataloged CCT (Kelvin) options including static colors.
- Consult factory for custom pre-wired factory sealed cable length options.
- Consult factory for pole information.
- Consult factory for wall bracket accessory, multi-head pole top mounting, and other custom options.
- Product meets Buy American Act requirements within ARRA.
- 5-year warranty.
- Marine Grade finish.
- Suitable for Natatorium applications.



FINISHES

- AN-96 / Iron gray / Textured
- BK-81 / Black / Textured
- GR-94 / Aluminum metallic / Textured
- WH-87 / White / Textured
- RB-10 / Iron rust / Textured



Lumen Output	3K	4K
Hedo+ 23W	2080	2145
Hedo+ 35W	3171	3269



Scan here
for installation
instructions

Order Guide - Hedo



Order code example

Hedo-35-T5-AM-3K-120-NA-8pole

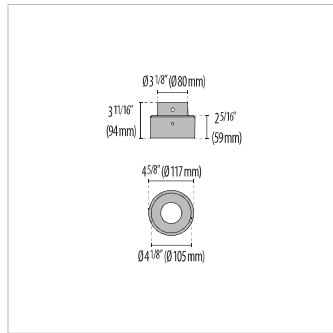
HEDO-

Wattage	Optics	Finish	Kelvin	Voltage	Controls	Accessories
23 23 watt 35 35 watt (max) XX Specify Wattage Must be below max	T5 Type 5	AM Aluminum Metallic IG Iron Gray IR Iron Rust BK Textured Black WH Textured White CC Custom Color	3K 3000K 4K 4000K	UNV 120-277V	NA Non Dimming 0-10V 0-10V Dimming ELV ELV Dimming	4"Adaptor 4 Inch pole adaptor GFCI Pole mounted GFCI 8Pole Pole 8' Ø4" 10Pole Pole 10' Ø4" 12Pole Pole 12' Ø4" 14Pole Pole 14' Ø4" 16Pole Pole 16' Ø4" XXP Specify Pole height

Performance in Lighting reserves the right to make all necessary changes without prior notice.

OPTIONAL ACCESSORIES

DESCRIPTION	FINISH	PART NUMBER
HEDO+		
Pole adapter 4" HEDO+		3111179
Pole 8' Ø4"		71408403
Pole 10' Ø4"		71410403
Pole 12' Ø4"		71412403
Pole 14' Ø4"		71414403
Pole 16' Ø4"		71416403



3111179

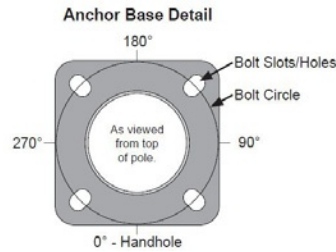
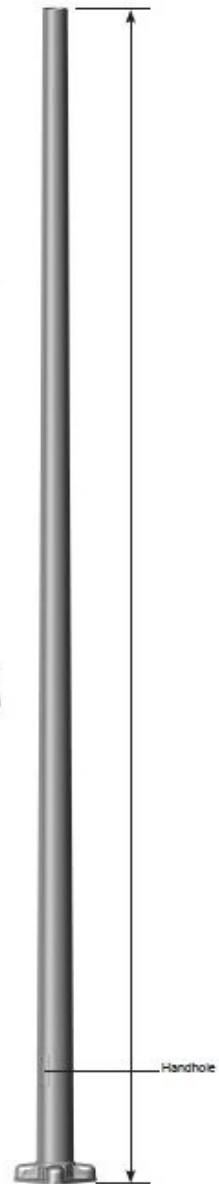
Cross Section



Handhole



Nut Covers (Standard)



STANDARD POLE OPTIONS:

- Poles are rated for 130mph (contact factory for poles with higher wind and weight ratings).
- Contact factory for additional pole heights and finishes, as well as banner arms and an integrated GFCI outlet option.
- Anchor bolts and templates can ship ahead of the poles to help expedite installation schedules.