

INSERT+ZERO GLASS



Recessed wall steplight series. Fixtures consist of:

- Multi-step powder-coat painting process, optimized against UV rays and corrosion.
- Copper-free (<1%) precision die-cast aluminum housing and ring/faceplate.
- Frosted, tempered, silk-screened, flat glass diffuser.
- Custom molded, anti-aging gasket(s).
- Stainless steel external hardware.
- Custom MCPCB utilized to maximize heat dissipation and promote long LED life.
- Screen-printed toughened glass front diffuser (GLASS options)
- Diffuse light emission.
- Input voltage: 120-277 V (50 / 60 Hz), integral driver.
- Mud Ring included for INSERT+ ZERO / ZERO CLIPS (J-Box provided by others).
- The luminaire may be configured with numerous options and multiple standard finishes. Not all options are available in all configurations. Consult factory for more information about specification sheet details to build your light.
- Product meets Buy American Act (BAA) requirements within ARRA.
- 5-year warranty.

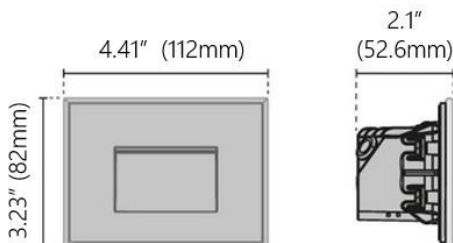


Standard finishes:

- WH-87 / White / Textured



Scan here for
installation instructions



LUMEN OUTPUT					
	27K	30K	35K	40K	50K
4W	85	90	95	100	110
6W	115	120	123	125	130

Order Guide – INSERT+ZERO GLASS



Order code example: IN0G-CL-6-30K-WH-120V

I+0G							
SERIES	Housing Style	Wattage	CCT	Finish	Voltage	Controls	Accessories
I+0G Insert+Zero Glass	CL Clip version	4 4W* 6 6W* (max)	27K 2700K 30K* 3000K 35K 3500K 40K* 4000K 50K 5000K RED Red LED's GRN Green LED's BLUE Blue LED's AMB Turtle-friendly amber LED's	WH White*	UNV 120-277V* 120V 120V only	NA Non- Dimming* 0-10V 0-10V Dimming (Remote Driver Only) ELV ELV Dimming (Remote Driver only)	RDR Remote driver (for dimming options) PLT Adaptor plate; specify dimensions Contact Factory for Remote driver options Contact Factory about adaptor plate custom options

STANDARD OPTION, SHORTER LEAD TIME, NO MOQ

MUDRING INCLUDED WITH FIXTURE
80 CRI STANDARD - OTHER OPTIONS AVAILABLE

PERFORMANCE IN LIGHTING reserves the right to make all necessary changes without prior notice

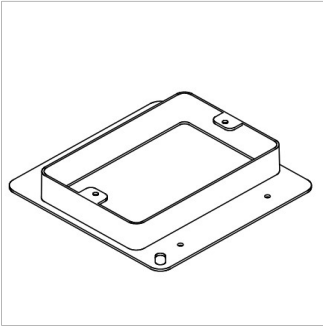
PERFORMANCE IN LIGHTING USA, Inc.
2621 Keys Pointe Conyers GA 30013 - United States
Tel: 770 822 2115

info.usa@pil.lighting
www.performanceinlighting.com

REVISION 01
07/23

REQUIRED FOR INSTALLATION Included with Fixture

DESCRIPTION	FINISH	PART NUMBER
INSERT+ ZERO GLASS		
Mudring for 4x4x4 Jbox (Jbox by others)		1003



1003