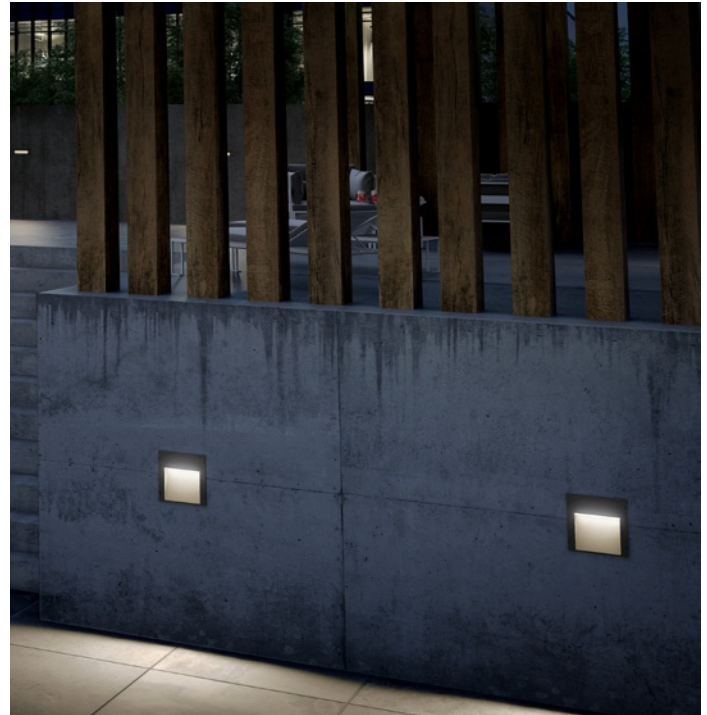
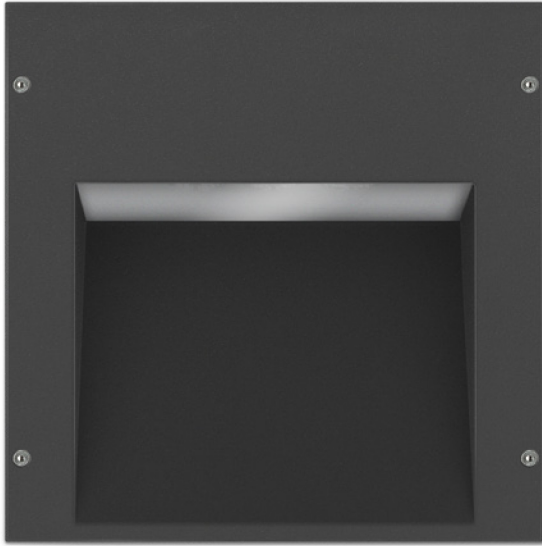


INSERT+3



Recessed wall step light series. Fixtures consist of:

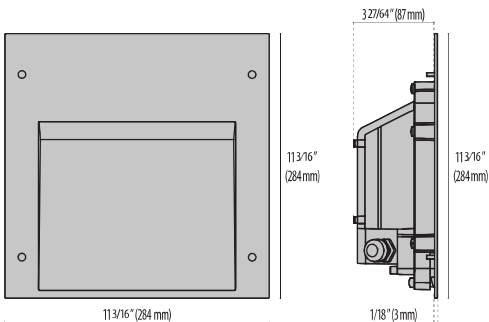
- Multi-step powder-coat painting process, optimized against UV rays and corrosion.
- Copper-free precision die-cast aluminum housing and ring/faceplate.
- Custom molded, anti-aging gasket(s).
- Stainless steel external hardware.
- Extra-clear, flat, tempered soda-lime glass diffuser.
- Frosted, flat, tempered soda-lime glass diffuser.
- Custom MCPCB utilized to maximize heat dissipation and promote a long LED life.
- High-transmittance transparent optics.
- IESNA Type II light distribution.
- IESNA Type III light distribution.

- Input voltage: 120-277 V (50 / 60 Hz), integral 0-10 V dimming driver.
- Pre-wired factory sealed cable for external electrical connection included.
- Stainless steel recessed rough-in kit can be ordered separately.
- Suitable for concrete or hollow wall applications.
- Consult factory for dimming options, custom finishes (please specify RAL color), and non-cataloged CCT (Kelvin) options.
- Consult factory for custom pre-wired factory sealed cable length options.
- Product meets Buy American Act requirements within ARRA.
- 5-year warranty.
- Marine Grade finish.
- Suitable for Natatorium applications.



FINISHES

- AN-96 / Iron gray / Textured
- GR-94 / Aluminum metallic / Textured
- BK-81 / Black / Textured
- WH-87 / White / Textured
- RB-10 / Iron rust / Textured



INSERT+
3

Lumen Output	27K	3K	35K	4K	5K	6K
Insert+3	1457	1502	1547	1592	1637	1682
Insert+3 T2	1381	1388	1393	1399	1404	1409

26W/29W Max Wattage

Scan here
for installation
instructions



Order Guide - Insert+3



Order code example

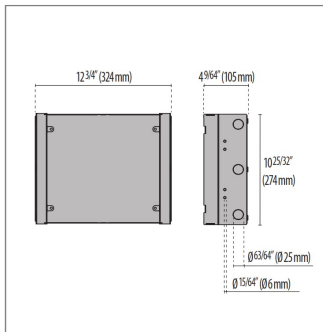
IN3-29-T3-AM-3K-120-NA

IN3-

Wattage	Optics	Finish	Kelvin	Voltage	Controls	Accessories
26 26 watt (max T2)	T2 Type 2	AM Aluminum Metallic	27K 2700K	UNV 120-277V	NA Non Dimming	TP Tamper Proof hardware
29 29 watt (max T3)	T3 Type 3	IG Iron Gray	3K 3000K			
XX Specify Wattage Must be below max		IR Iron Rust	35K 3500K		ELV ELV Dimming	
		BK Textured Black	4K 4000K			
		WH Textured White	5K 5000K			
		CC Custom Color	AMB Static Amber			
			BLU Static Blue			
			GRN Static Green			
	RED Static Red					
		RGBW RGBW See below for Control details				

INCLUDED ACCESSORIES

INSERT+



3100883
ROUGH-IN

Performance in Lighting reserves the right to make all necessary changes without prior notice.

Performance in Lighting - 2621 Keys Pointe - Conyers, Georgia 30013 - USA - voice 770.822.2115 - info.usa@pil.lighting
www.performanceinlighting.com

Revision 05
05/23

RGBW CONTROL ACCESSORIES

DESCRIPTION	FINISH	PART NUMBER
Power Supply		
Kit driver 48V WP		17347
RF Controls		
RGBW RF controller 4 channel (0.35A each CH)		3104173
RGBW RF controller WP 4 channel (0.35A each CH)		31041730
RGBW hand held remote		310429
DMX Controls		
RGBW DMX enabler/decoder 4 channel (0.35A each CH)		178973
RGBW DMX enabler/decoder WP 4 channel (0.35A each CH)		1789730
Terminating resistor		11015
Terminating resistor WP		110150

RGBW CONTROL ACCESSORIES ARE TO BE INSTALLED IN REMOTE LOCATION

NON-INTEGRAL INSTALLATION

RF Controls



17347



3104173



31041730



310429

DMX Controls



17347



178973



1789730



11015



110150

Revision 05
05/23