

MAGICCLICK MAXI



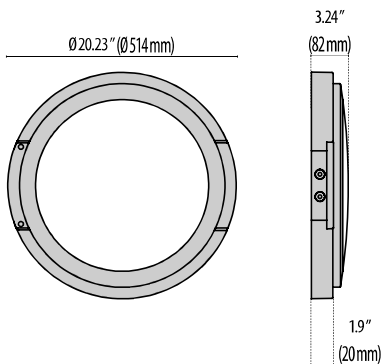
Ceiling and wall mount series. Fixtures consist of:

- Multi-step powder-coat painting process, optimized against UV rays and corrosion.
- Copper-free precision die-cast aluminum housing and ring/faceplate.
- High transmittance, internally coated, soda-lime pressed glass diffuser, thermally and chemically quenched to strengthen the impact resistance and reduce the effect of rapid temperature changes.
- The ring/faceplate is integral with the diffuser.
- Custom molded, anti-aging gasket(s).
- Stainless steel external hardware.
- Custom MCPCB utilized to maximize heat dissipation and promote a long LED life.
- Tilttable LED board mounting bracket allows for quick and easy installation.
- 100% uniform diffused light emission.
- Input voltage: 120-277 V (50 / 60 Hz), integral 0-10 V dimming driver.
- Optional, integral, emergency battery-pack designed for a minimum operation of 90 minutes (EMPK versions).
- Standard hinge-style housing allows for a simplified installation.
- Consult factory for dimming options, custom finishes (please specify RAL color), and non-cataloged CCT (Kelvin) options.
- Polycarbonate lens option available. Consult factory for more information.
- Product meets Buy American Act requirements within ARRA.
- 5-year warranty on components.
- 10-year warranty on glass.
- Marine Grade finish.
- Suitable for Natatorium applications.



FINISHES

- AN-96 / Iron gray / Textured
- GR-94 / Aluminum metallic / Textured
- WH-87 / White / Textured
- BK-81 / Black / Textured
- RB-10 / Iron rust / Textured



MAGICCLICK
MAXI

Scan Here for
Installation Instructions



Lumen Output	27K	3K	35K	4K	5K
Magiclick Maxi 40W	1429	1474	1519	1564	1609
Magiclick Maxi 63W	2602	2684	2766	2848	2930
Magiclick Maxi EMPK	1429	1474	1519	1564	1609

Order Guide - Magiclick Maxi



Order code example

MCM-63-AM-3K-120-NA-PC

MCM-

Wattage	Finish	Kelvin	Voltage	Controls	Options
40 40 watt	AM Aluminum Metallic	3K 3000k	UNV 120-277V	NA Non Dimming	PC Polycarb Lens
63 63 watt (max)	IG Iron Gray	35K 3500k		0-10V 0-10V Dimming	EMPK 40W Emergency Battery back-up
XX Specify wattage must be below max	IR Iron Rust	4K 4000k		ELV ELV Dimming	TP Tamper Proof bolts
	BK Textured Black				REM 63W Remote mounted emergency battery back-up
	WH Textured White				SC Side conduit entry 1/2" or 1/4"
	CC Custom Color				