

MAGICCLICK ROUND



Ceiling and wall mount series. Fixtures consist of:

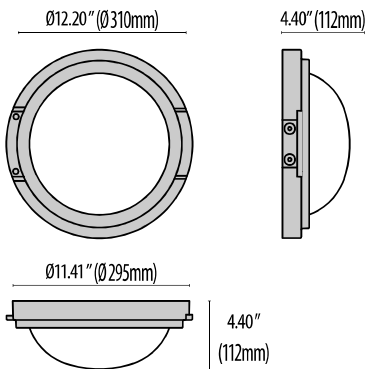
- Multi-step powder-coat painting process, optimized against UV rays and corrosion.
- Copper-free die-cast aluminum housing, ring, and faceplates.
- High transmittance, internally coated, soda-lime pressed glass diffuser, thermally and chemically quenched to strengthen the impact resistance and reduce the effect of rapid temperature changes.
- The ring/faceplate is integral with the diffuser.
- Custom molded, anti-aging gasket(s).
- Stainless steel external hardware.
- Custom MCPCB utilized to maximize heat dissipation and promote a long LED life.
- Tilttable LED board mounting bracket allows for quick and easy installation.

- 100% uniform diffused light emission.
- Input voltage: 120-277 V (50 / 60 Hz), integral driver.
- Standard hinge-style housing allows for a simplified installation.
- Consult factory for dimming options, custom finishes (please specify RAL color), and non-cataloged CCT (Kelvin) options.
- Polycarbonate lens option available (ROUND 25). Consult factory for more information.
- Product meets Buy American Act requirements within ARRA.
- 5-year warranty on components.
- 10-year warranty on glass.
- Marine Grade finish.
- Suitable for Natatorium applications.



FINISHES

- AN-96 / Iron gray / Textured
- GR-94 / Aluminum metallic / Textured
- WH-87 / White / Textured
- BK-81 / Black / Textured
- RB-10 / Iron rust / Textured



MAGICCLICK
ROUND 25

Scan Here for
Installation Instructions



LUMEN OUTPUT	27K	3K	35K	4K	5K
Magiclick Round 22W	875	935	995	1055	1115
Magiclick Round 26W	1237	1255	1272	1290	1307

Order Guide - Magiclick Round



Order code example

MCR-26-AM-3K-120-NA-PC

MCR-

Wattage	Finish	Kelvin	Voltage	Controls	Options
22 22 watt	AM Aluminum Metallic	27K 2700K	120 120 volts	NA Non Dimming	FPC Flat Polycarb Lens
26 26 watt (max)	IG Iron Gray	3K 3000k	277 277 volts	0-10V 0-10V Dimming	REM Remote Mounted Emergency Battery Back up
XX Specify wattage must be below max	IR Iron Rust	35K 3500k		ELV ELV Dimming	EMPK Intergal Emergency battery back up
	BK Textured Black	4K 4000k			
	WH Textured White	5K 5000K			
	CC Custom Color	RED Static Red			
	BLU Static Blue	GRN Static Green			
	RGBW RGBW Consult factory for control details				TP Tamper proof hardware



Flat Polycarb Lens

Performance in Lighting reserves the right to make all necessary changes without prior notice.

Performance in Lighting - 2621 Keys Pointe - Conyers, Georgia 30013 - USA - voice 770.822.2115 - info.usa@pil.lighting
www.performanceinlighting.com

Revision 03
03/23

OPTIONAL REMOTE ACCESSORIES

DESCRIPTION	FINISH	PART NUMBER
-------------	--------	-------------

Controls

Kit driver 48V		17433
Kit driver 48V WP		17096

RF Controls

RGBW RF controller 4 channel (0.4A each CH)		3104174
RGBW RF controller WP 4 channel (0.4A each CH)		31041740
RGBW hand held remote		310429

WiFi Controls

RGBW WiFi controller 4 channel (0.4A each CH)		3104164
RGBW WiFi controller WP 4 channel (0.4A each CH)		31041640

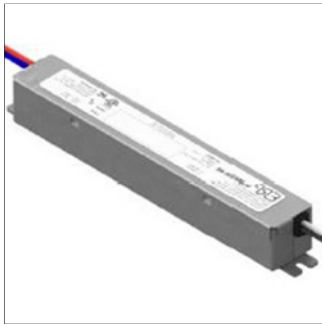
DMX Controls

RGBW DMX enabler/decoder 4 channel (0.4A each CH)		178974
RGBW DMX enabler/decoder WP 4 channel (0.4A each CH)		1789740
Terminating resistor		11015
Terminating resistor WP		110150



App (free) – “EasyLighting”

EasyLighting is an application that uses a WiFi network to control, adjust, and customize the lighting color or CCT, brightness, and the rate of change. With this application you can control EasyLighting products through most mobile devices



17433



17096



3104174
3104275



31041740
31042750
31041640
31042650
1789740
1789750



310429



3104164



178974



11015



110150