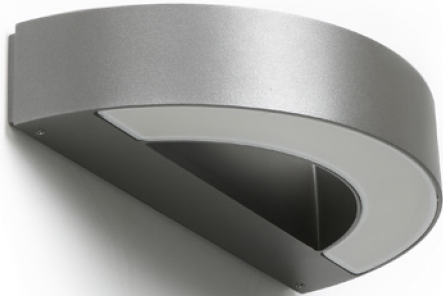


MASK+



Wall sconce series. Fixtures consist of:

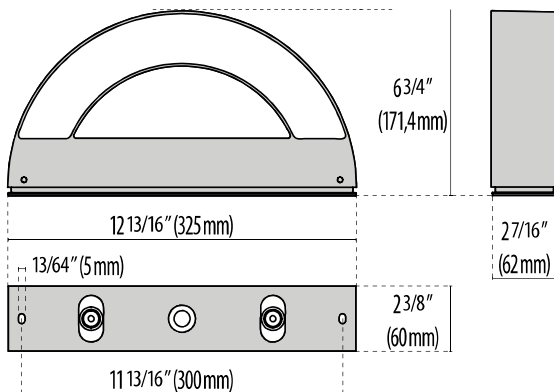
- Multi-step powder-coat painting process, optimized against UV rays and corrosion.
- Copper-free precision die-cast aluminum housing and mounting plate.
- Frosted, flat, tempered silk-screened soda-lime glass diffuser.
- Custom molded, anti-aging gasket(s).
- Stainless steel external hardware.
- Custom MCPCB utilized to maximize heat dissipation and promote a long LED life.
- Single (M) or dual (B) light emission.
- IESNA Type V light distribution.

- Input voltage: 120-277 V (50 / 60 Hz), integral 0-10 V dimming driver.
- Rectangular mounting plate included (for use RACO 8660 or equivalent); 4" tall accessory plate for use with larger junction box applications available (order separately).
- Consult factory for dimming options, custom finishes, and non-cataloged CCT (Kelvin) options.
- Product meets Buy American Act requirements within ARRA.
- 5-year warranty.
- Marine Grade finish.
- Suitable for Natatorium applications.



Finishes

- AN-96 / Iron gray / Textured
- WH-87 / White / Textured
- BK-81 / Black / Textured
- GR-94 / Aluminum metallic / Textured
- RB-10 / Iron rust / Textured



MASK+

LUMEN OUTPUT		3000K	4000K
MASK+M	12.5 Watt	914	971
MASK+B	24 Watt	1770	1879

Order Guide - Mask+



Order code example

MSK-M-12.5-WH-4K-120-NA-JBOX

MSK-

Housing Style	Wattage	Finish	Color Temperature	Voltage	Controls	Accessories
M (One-Way)	12.5 12.5 watt (M max)	IG Iron Gray	3K 3000k	120 120 volts	NA Non Dimming	J-BOX 4-inch tall J-Box Cover
B (Two-Way)	24 24 watt (B max)	WH Textured White *Finishes Below Available MOQ 30 pieces* AM Aluminum Metallic IR Iron Rust BK Textured Black CC Custom Color	4K 4000k	277 277 volts	0-10V 0-10V Dimming ELV ELV Dimming	