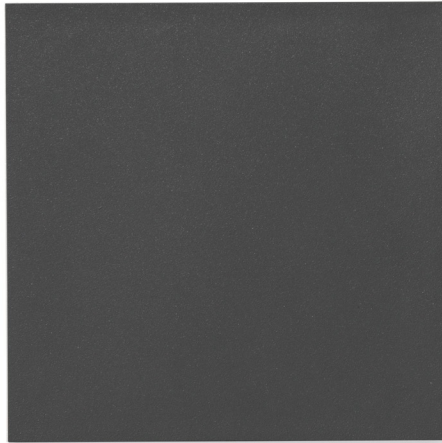


# MIMIK 20



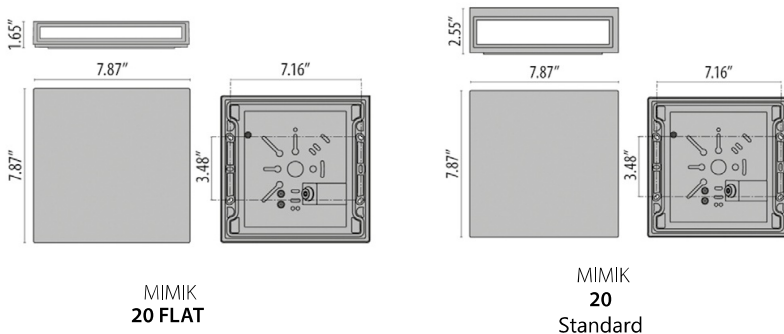
- Ceiling-, wall- and post- mount series. Fixtures consist of:
- Multi-step powder-coat painting process, optimized against UV rays and corrosion.
  - Copper-free precision die-cast aluminum housing and mounting plate.
  - Extra-clear, flat, tempered silk-screened soda-lime glass diffuser.
  - Micro-prismatic patterned, flat, tempered silk-screened soda-lime glass diffuser (FLAT versions).
  - Custom molded, anti-aging gasket(s).
  - Stainless steel external hardware.
  - Custom MCPCB utilized to maximize heat dissipation and promote a long LED life.
  - High-transmittance transparent optics.
  - Single (M) or dual (B) light emission.
  - IESNA Type II light distribution (FLAT).
  - IESNA Type II light distribution.
  - IESNA Type III light distribution.
  - IESNA Type IV light distribution.

- Input voltage: 120-277 V (50 / 60 Hz), integral 0-10 V dimming driver.
- Optional, integral, emergency battery-pack designed for a minimum operation of 90 minutes (EMPK versions).
- Customizing facade faceplate available for MIMIK FLAT versions (ordered separately).
- Post accessory available for MIMIK 20 (ordered separately).
- Consult factory for dimming options, custom finishes (please specify RAL color), and non-cataloged CCT (Kelvin) options.
- Optional clear plexiglass panel can be customized with logos for signage or wayfinding (LINE BOLLARD). Consult factory for more information.
- Product meets Buy American Act requirements within ARRA.
- 5-year warranty.
- Marine Grade finish.
- Suitable for Natatorium applications.



## FINISHES

- AN-96 / Iron gray / Textured
- GR-94 / Aluminum metallic / Textured
- WH-87 / White / Textured
- BK-81 / Black / Textured
- RB-10 / Iron rust / Textured



| LUMEN OUTPUT       |     | 2700K | 3000K | 3500K | 4000K | 5000K |
|--------------------|-----|-------|-------|-------|-------|-------|
| MIMIK 20 M T2      | 15W | 1373  | 1385  | 1396  | 1408  | 1420  |
| MIMIK 20 M T2      | 26W | 2238  | 2256  | 2274  | 2292  | 2310  |
| MIMIK 20 M T2 EMPK | 15W | 1373  | 1385  | 1396  | 1408  | 1420  |
| MIMIK 20 M T3      | 15W | 1385  | 1396  | 1407  | 1418  | 1429  |
| MIMIK 20 M T3      | 26W | 2255  | 2273  | 2291  | 2309  | 2327  |
| MIMIK 20 M T3 EMPK | 15W | 1385  | 1396  | 1407  | 1418  | 1429  |
| MIMIK 20 M T4      | 15W | 1308  | 1319  | 1329  | 1340  | 1351  |
| MIMIK 20 M T4      | 26W | 2132  | 2149  | 2166  | 2183  | 2200  |
| MIMIK 20 M T4 EMPK | 15W | 1308  | 1319  | 1329  | 1340  | 1351  |
| MIMIK 20 FLAT M    | 14W | 919   | 960   | 1001  | 1042  | 1083  |
| MIMIK 20 FLAT B    | 25W | 1847  | 1930  | 2012  | 2095  | 2178  |

| WATTAGE         |     |
|-----------------|-----|
| MIMIK 20 M T2   | 15W |
| MIMIK 20 M T2   | 26W |
| MIMIK 20 M T3   | 15W |
| MIMIK 20 M T3   | 26W |
| MIMIK 20 M T4   | 15W |
| MIMIK 20 M T4   | 26W |
| MIMIK 20 FLAT M | 14W |
| MIMIK 20 FLAT B | 25W |



Scan here  
for installation  
instructions

Revision 04  
04/23



40" Bollard option



40" Line Bollard option

## Order Guide - Mimik 20

Order code example

M20-M-15W-T4-AM-27K-120V-NA-FC

M20

| Housing Style | Light Emission                    | Wattage  | Optics   | Finish   | CRI   | Kelvin/<br>Static Colors  | Voltage         | Controls  | Accessories   |
|---------------|-----------------------------------|--|--|--|---|---|-----------------|---|---|
| M20 Standard  | M (One-Way)                       | 15<br>15 watt<br>(with em max)   | (standard only)<br>(leave blank for flat)<br>T2<br>Type II | AM<br>Aluminum Metallic  | 70<br>70 CRI<br>(Standard)  | 27K<br>2700k  | UNV<br>120-277V | NA<br>Non Dimming<br><br>0-10V<br>0-10V Dimming<br><br>ELV<br>ELV Dimming | EMPK<br>Integral 15W<br>Emergency Battery<br>Back up<br>(not available with<br>flat housing)<br><br>FC<br>Facade cover<br><br>FRST<br>Frosted glass<br><br>EGR<br>Egress Double<br>Housing<br><br>PHC-B<br>Photocell Button<br><br>OCC<br>Occupancy Sensor<br><br>REM<br>Remote battery<br>back up<br><br>BOL<br>40" Bollard<br><br>LBOL<br>40" Line Bollard<br><br>XXBOL<br>Specify Bollard<br>Height 40" Max<br>12" Min<br><br>XXLBOL<br>Specify Line Bollard<br>Height 40" Max<br>12"Min |
| M20F Flat     | B (Two-Way)<br><i>(Flat only)</i> | 26<br>26 watt<br>max<br><br>14<br>14 watt<br>(Flat only)<br><br>25<br>25 watt<br>(Flat only)<br>max<br><br>XX<br>Specify<br>Wattage<br>Must be<br>below<br>max | T3<br>Type III<br><br>T4<br>Type IV                        | IG<br>Iron Gray<br><br>IR<br>Iron Rust<br><br>BK<br>Textured Black<br><br>WH<br>Textured White<br><br>CC<br>Custom Color | 80<br>80 CRI<br>(Flat<br>Standard)<br><br>90*<br>90 CRI<br><br><i>*Contact<br/>Factory<br/>For<br/>Availability</i> | 3K<br>3000k<br><br>35K<br>3500k<br><br>4K<br>4000k<br><br>5K*<br>5000K<br>Consult<br>factory for<br>MOQ<br><br>RED<br>Satic Red<br>(Flat Only)<br><br>GRN<br>Static Green<br>(Flat Only)<br><br>BLU<br>Static Blue<br>(Flat Only)<br><br>AMB<br>Static Amber<br>(Flat Only) |                 |   |   |

Performance in Lighting - 2621 Keys Pointe - Conyers, Georgia 30013 - USA - voice 770.822.2115 - info.usa@pil.lighting  
www.performanceinlighting.com

**NOTE:**

MIMIK 20 IS AVAILABLE WITH ONE WAY EMISSIONS/ MONO-DIRECTIONAL  
THE MIMIK 20 FLAT IS REQUIRED FOR TWO WAY EMISSIONS/BI-DIRECTIONAL

Revision 04  
04/23