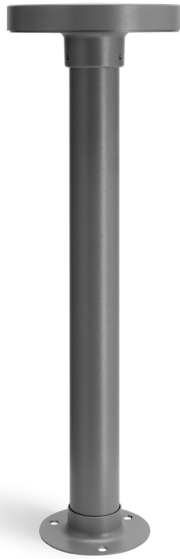


# PADO



Pathway bollard series. Fixtures consist of:

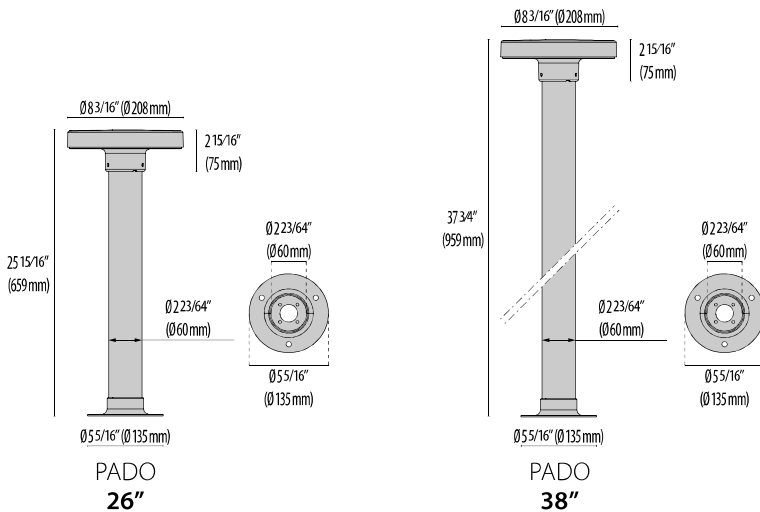
- Multi-step powder-coat painting process, optimized against UV rays and corrosion.
- Copper-free precision die-cast aluminum housing and top cap.
- Copper-free aluminum extruded post.
- Frosted, flat, tempered silk-screened soda-lime glass diffuser.
- Custom molded, anti-aging gasket(s).
- Stainless steel external hardware.
- High-efficiency COB, combined with an optimized passive cooling system, provides a long LED life.
- IESNA Type V light distribution.

- Input voltage: 120-277 V (50 / 60 Hz), integral 0-10 V dimming driver.
- Pre-wired factory sealed cable for external electrical connection included.
- Consult factory for dimming options, custom finishes (please specify RAL color), and non-cataloged CCT (Kelvin) options.
- Consult factory for custom pre-wired factory sealed cable length options.
- Consult factory for custom post height options.
- Product meets Buy American Act requirements within ARRA.
- 5-year warranty.
- Marine Grade finish.
- Suitable for Natatorium applications.



## FINISHES

- AN-96 / Iron gray / Textured
- GR-94 / Aluminum metallic / Textured
- BK-81 / Black / Textured
- WH-87 / White / Textured
- RB-10 / Iron rust / Textured



Scan here  
for installation  
instructions

| Lumen Output | 27K  | 3K   | 35K  | 4K   | 5K   |
|--------------|------|------|------|------|------|
| Pado 26"     | 1040 | 1079 | 1118 | 1157 | 1196 |
| Pado 38"     | 1040 | 1079 | 1118 | 1157 | 1196 |

20W Max Wattage

Revision 03  
10/22

# Order Guide - Pado



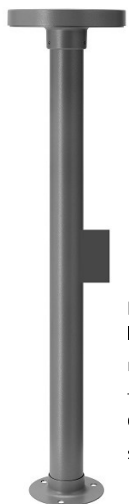
Order code example

PADO-42-20-IR-4K-120-NA-GFCI

PADO-

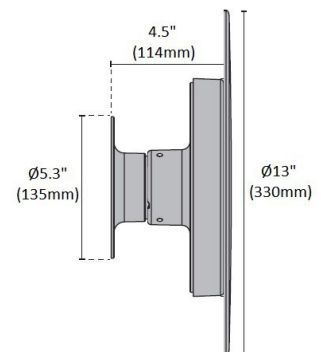
| Bollard Height | Wattage                | Finish                     | Kelvin       | Voltage            | Controls               | Accessories           |
|----------------|------------------------|----------------------------|--------------|--------------------|------------------------|-----------------------|
| 26<br>26 inch  | 8<br>8 watt            | AM<br>Aluminum<br>Metallic | 27K<br>2700k | UNV<br>120-277V    | NA<br>Non Dimming      | GFCI<br>20 amp outlet |
| 38<br>38 inch  | 20<br>20 watt<br>(max) | IG<br>Iron Gray            | 3K<br>3000k  |                    | 0-10V<br>0-10V Dimming |                       |
| 42<br>42 inch  |                        | IR<br>Iron Rust            | 35K<br>3500k | ELV<br>ELV Dimming |                        |                       |
|                |                        | BK<br>Textured Black       | 4K<br>4000k  |                    |                        |                       |
|                | WH<br>Textured White   | 5K<br>5000k                |              |                    |                        |                       |
|                | CC<br>Custom Color     | 65K<br>6500k               |              |                    |                        |                       |
|                |                        | RED<br>Static Red          |              |                    |                        |                       |
|                |                        | BLU<br>Static Blue         |              |                    |                        |                       |
|                |                        | GRN<br>Static Green        |              |                    |                        |                       |

## GFCI



Fixture shown in Iron Gray with GFCI mounted at 18" above the mounting surface. Customer can specify a specific height if needed.

## Wall Mounted Option



Performance in Lighting reserves the right to make all necessary changes without prior notice.

Performance in Lighting - 2621 Keys Pointe - Conyers, Georgia 30013 - USA - voice 770.822.2115 - info.usa@pil.lighting  
www.performanceinlighting.com

Revision 03  
10/22