

# QUASAR 20



Wall sconce series. Fixtures consist of:

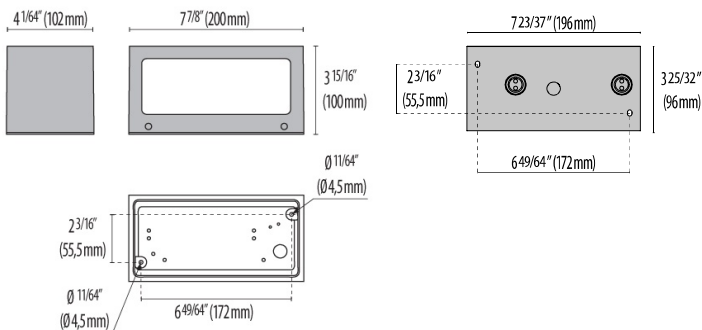
- Multi-step powder-coat painting process, optimized against UV rays and corrosion.
- Copper-free precision die-cast aluminum housing and mounting plate.
- Micro-prismatic patterned flat, tempered silk-screened soda-lime glass diffuser.
- Custom molded, anti-aging gasket(s).
- Stainless steel external hardware.
- High-efficiency COB, combined with an optimized passive cooling system, provides a long LED life.
- Internal specular reflector coated with 5-layers of PVD 99.98% pure aluminum providing >95% reflection.

- Single (TECH) or dual (DOUBLETECH) light emission.
- IESNA Type I light distribution.
- Input voltage: 120-277 V (50 / 60 Hz), integral 0-10 V dimming driver.
- Junction box mounting plate included (for 4" octagon box only, provided by others).
- Consult factory for dimming options, custom finishes (please specify RAL color), and non-cataloged CCT (Kelvin) options including static colors.
- Product meets Buy American Act requirements within ARRA.
- 5-year warranty.
- Marine Grade finish.
- Suitable for Natatorium applications.



## FINISHES

- AN-96 / Iron gray / Textured
- GR-94 / Aluminum metallic / Textured
- WH-87 / White / Textured
- BK-81 / Black / Textured
- RB-10 / Iron rust / Textured



Scan here  
for installation  
instructions



QUASAR  
20

Lumen Output	27K	3K	35K	4K	5K
Quasar 20 Tech	661	695	729	764	798
Quasar 20 Double Tech	1151	1211	1271	1332	1392

Revision 02  
10/22

# Order Guide - Quasar 20



Order code example

**Q20-M-AM-11-T1-4K-120-NA**

**Q20-**

Output	Wattage	Finish	Optics	Kelvin	Voltage	Controls	Options
<b>M</b> (One-Way)	<b>11</b> 11 watt (M Max)	<b>AM</b> Aluminum Metallic	<b>T1</b> Type 1	<b>27K</b> 2700K	<b>UNV</b> 120-277V	<b>NA</b> Non Dimming	<b>REM</b> Remote Emergency Battery Back Up
<b>B</b> (Two-Way)	<b>22</b> 22 watt (B Max)	<b>IG</b> Iron Gray	<b>NB</b> Narrow Beam	<b>3K</b> 3000K			
	<b>XX</b> Specify Wattage Must be below max	<b>IR</b> Iron Rust		<b>35K</b> 3500K		<b>0-10V</b> 0-10V Dimming	
		<b>BK</b> Textured Black		<b>4K</b> 4000K		<b>ELV</b> ELV Dimming	
		<b>WH</b> Textured White		<b>5K</b> 5000K			
		<b>CC</b> Custom Color		<b>BLU</b> Static Blue			
				<b>RED</b> Static Red			
				<b>GRN</b> Static Green			
				<b>RGBW</b> RGBW Consult factory for control details			

Performance in Lighting reserves the right to make all necessary changes without prior notice.