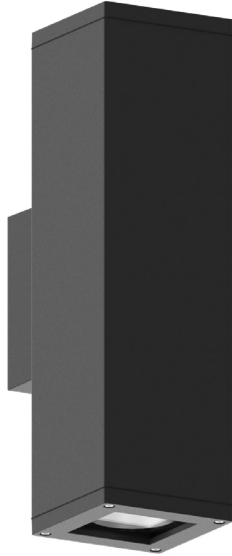


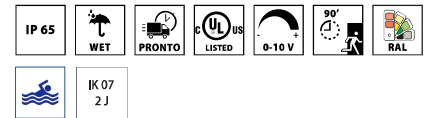
Q-WALL



Wall mount series. Fixtures consist of:

- Multi-step powder-coat painting process, optimized against UV rays and corrosion.
- Copper-free extruded aluminum housing and copper-free precision die-cast aluminum ring/faceplate, bracket (WALL versions) and mounting plate.
- Copper-free die-cast aluminum heat-sink passive cooling system.
- Extra-clear, tempered, silk-screened, flat glass diffuser.
- Custom molded, anti-aging gasket(s).
- Stainless steel external hardware.
- High-efficiency COB, combined with an optimized passive cooling system, provides a long LED life.
- Internal specular reflector coated with 5-layers of PVD 99.98% pure aluminum providing >95% reflection.
- Single (M) or dual (B) light emission.
- Circular Intensive beam angle (C/I).
- Circular Medium beam angle (C/M).
- Circular Wide beam angle (C/W).
- Input voltage: 120-277V (50 / 60 Hz), integral 0-10 V dimming driver.

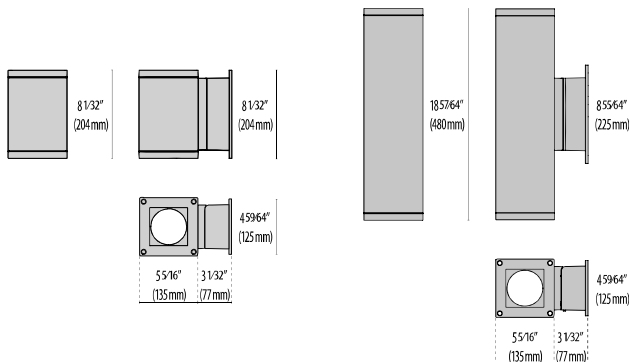
- Optional, integral, emergency battery-pack designed for a minimum operation of 90 minutes (EMPK versions).
- Standard hinged bracket for ease of installation: wiring can be completed by mounting the bracket ahead of the luminaire, then sliding luminaire onto the bracket using quick connectors system, then securing the luminaire by tightening the stainless steel set screws (WALL versions only).
- Five optional finishes available. Add finish suffix to any part number for textured Black (BK-81), Iron gray (AN-96), Aluminum metallic (GR-94), White (WH-87), Iron rust (RB-10) when not standard.
- Consult factory for dimming options, marine-grade, custom finishes (please specify RAL color), and non-cataloged CCT (Kelvin) options including static colors.
- Product meets Buy American Act requirements within ARRA.
- 5-year warranty.
- Marine Grade finish.
- Suitable for Natatorium applications.



FINISHES

- AN-96 / Iron gray / Textured
- GR-94 / Aluminum metallic / Textured
- WH-87 / White / Textured
- BK-81 / Black / Textured
- RB-10 / Iron rust / Textured

Scan here
for installation
instructions



Q-WALL
MINI

Q-WALL

Lumen Output	27K	3K	35K	4K	5K
Q-Wall M 20°	2786	2878	2969	3061	3152
Q-Wall M 40°	2772	2863	2954	3045	3136
Q-Wall M 85°	2805	2898	2991	3084	3177
Q-Wall B 20°	5571	5755	5938	6122	6305
Q-Wall B 40°	5572	5725	5907	6090	6272
Q-Wall B 85°	5610	5796	5981	6167	6352
Q-Wall M EMPK 20°	2786	2878	2969	3061	3152
Q-Wall M EMPK 40°	2772	2863	2954	3045	3136
Q-Wall M EMPK 85°	2805	2898	2991	3084	3177
Q-Wall Mini 20°	2783	2876	2968	3061	3153
Q-Wall Mini 40°	2799	2861	2953	3045	3137
Q-Wall Mini 85°	2803	2897	2990	3084	3177

30W/60W Max Wattage

Revision 04
02/23

Order Guide - Q-Wall



Order code example

QWALL-MINI-15-C/I-AM-3K-120-NA

Q-Wall

Light Emission	Wattage	Optics	Finish	Kelvin	Voltage	Controls	Accessories
M Mono Directional (One-Way)	15 15 watt (M)	C/I 20 degrees	AM Aluminum Metallic	27K 2700k	UNV 120-277V	NA Non Dimming	EMPK Integral Emergency Battery Back up (M Only) OCC-1 On/Off Motion Sensor OCC-2 Hi/Lo Motion Sensor P12 12' Square pole P14 14' Square pole PXX Specify pole height EXX Specify Extrusion Length Consult factory for MOQ
	25 25 watt (M)	C/M 40 degrees	IG Iron Gray	3K 3000k			
B Bi-Directional (Two-Way)	30 30 watt (M max)	C/EW 85 degrees	IR Iron Rust	35K 3500k			
	18 18 watt (B)	NB Narrow Beam	BK Textured Black	4K 4000k			
MINI Reduced size housing (M Only)	40 40 watt (B)		FT Forward throw film	WH Textured White	5K 5000K		
	60 60 watt (B max)	CC Custom Color	BLUE Blue	RED Red			
XX Specify wattage must be below max			GREEN Green	AMBER Amber 16W M Max 32W B Max			
			RGBW RGBW Consult Factory for control details				



E48"
Fixture shown
with custom 48"
Extrusion

Performance in Lighting reserves the right to make all necessary changes without prior notice.

Performance in Lighting - 2621 Keys Pointe - Conyers, Georgia 30013 - USA - voice 770.822.2115 - info.usa@pil.lighting
www.performanceinlighting.com

Revision 04
02/23

Pole Details - 4" Square Straight Aluminum Pole

