

# SHIELD+ 2



Long-lasting energy-efficient wall pack series. Fixtures consist of:

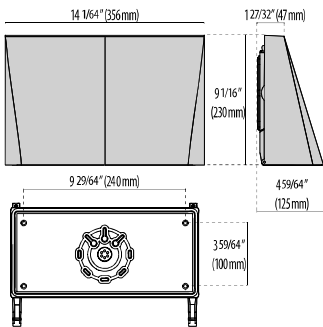
- Multi-step powder-coat painting process, optimized against UV rays and corrosion.
- Copper-free precision die-cast aluminum housing and mounting plate.
- Extra-clear, flat, tempered silk-screened soda-lime glass diffuser.
- Custom molded, anti-aging gasket(s).
- Stainless steel external hardware.
- High-efficiency COB, combined with an optimized passive cooling system, provides a long LED life.
- Specular vacuum metallized polycarbonate reflector provides full-cutoff, no glare design, and precision optical control.
- IESNA Type III light distribution.
- Input voltage: 120-277 V (50 / 60 Hz), integral 0-10 V dimming driver.
- Input voltage: 120-277 V (50 / 60 Hz), integral 1-10 V dimming driver (37 W / 53 W versions).

- Field settable integral bi-level lumen/wattage packages (37 W / 53 W) proprietary DIP switch driver for SHIELD+ 2 (stating factory setting at the lowest level).
- Optional, integral, emergency battery-pack designed for a minimum operation of 90 minutes (EMPK versions).
- Standard knock-out template for multiple junction box mounting options.
- Suitable for three surface mounted conduit entry points with 1/2" NPS plugs.
- BUTTON and SWIVEL 120-277 V (50 / 60 Hz) photoelectric switch options available (ordered separately).
- Consult factory for dimming options, custom finishes (please specify RAL color), and non-cataloged CCT (Kelvin) options.
- Product meets Buy American Act requirements within ARRA.
- 5-year warranty.
- Marine Grade finish.
- Suitable for Natatorium applications.



## FINISHES

- AN-96 / Iron gray / Textured
- GR-94 / Aluminum metallic / Textured
- RB-10 / Iron rust / Textured
- WH-87 / White / Textured
- BK-81 / Black / Textured



SHIELD+  
2

Scan here  
for installation  
instructions



Lumen Output	27K	3K	35K	4K	5K
Shield+2 37W	3743	4064	4384	4705	5025
Shield+2 53W	5645	5787	5928	6070	6353
Shield+2 80W	7680	7782	7883	7985	8188

Revision 06  
06/23

# Order Guide - Shield+2



Order code example

**SH2-53-AM-3K-120-NA-OCC1**

SH2-

--	--	--	--	--	--

Wattage	Finish	Kelvin	Voltage	Controls	Accessories	
7 7 watt	AM Aluminum Metallic	27K 2700k	UNV 120-277V	NA Non Dimming	<b>EMPK</b> Integral Emergency Battery back-up (10°C - 50°C Ambient)	
15 15 Watt	IG Iron Gray	3K 3000k		0-10V 0-10V Dimming		
27 27 watt	IR Iron Rust	35K 3500k		ELV ELV Dimming	<b>CWEMPK</b> Integral Emergency Battery back-up Cold Weather (-20°C - 50°C Ambient)	
37 37 watt	BK Textured Black	4K 4000k		1% 1% Dimming		
53 53 watt (EMPK max)	WH Textured White	5K 5000K				<b>OCC</b> Field Programmable Occupancy Sensor HI/LO & ON/OFF
80 80 watt (max)	CC Custom Color	65K 6500K			<b>PHC-B</b> Button Photocell	
XX Specify wattage must be below max		GRN Static Green				<b>PHC-S</b> Swivel Photocell
		BLU Static Blue				<b>REM</b> Remote Emergency Battery Back-up
		RED Static Red				<b>FG</b> Frosted Glass
		RGBW RGBW Consult factory for control details				

Performance in Lighting reserves the right to make all necessary changes without prior notice.