

# SQUARE +1



Long-lasting energy-efficient architectural, landscape and professional flood light series. Fixtures consist of:

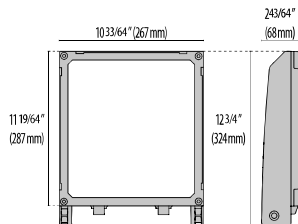
- Multi-step powder-coat painting process, optimized against UV rays and corrosion.
- Copper-free precision die-cast aluminum housing and ring/faceplate.
- Extra-clear, flat, tempered silk-screened soda-lime glass diffuser.
- Custom molded, anti-aging gasket(s).
- Stainless steel external hardware.
- Custom MCPCB utilized to maximize heat dissipation and promote a long LED life.
- High-transmittance transparent optics.
- IESNA Type I light distribution.
- IESNA Type II light distribution.
- IESNA Type IV light distribution.
- Input voltage: 120-277 V (50 / 60 Hz), integral 0-10 V dimming driver.
- Integral surge protector can withstand up to 10 kV transient line surge.
- Standard cable gland and graduated ferrule allow for a cable (Ø0.35" - Ø0.55") to be wired inside the fixtures and retain its IP66 rating.

- Consult factory for dimming options, custom finishes (please specify RAL color), and non-cataloged CCT (Kelvin) options.
- Consult factory for custom pre-wired factory sealed cable length options.
- Consult factory for custom optics options.
- Consult factory for pole information.
- Range of accessories, including posts and painted aluminum arms, suitable for a variety of configurations for diverse settings (parks, gardens, pedestrian areas, squares, parking areas, etc.) available (ordered separately).
- For the 210 W versions, up-light installation is permitted outdoors only.
- Product meets Buy American Act requirements within ARRA.
- 5-year warranty.
- Marine Grade finish.
- Suitable for Natatorium applications.



## FINISHES

- AN-96 / Iron gray / Textured
- BK-81 / Black / Textured
- GR-94 / Aluminum metallic / Textured
- WH-87 / White / Textured
- RB-10 / Iron rust / Textured



SQUARE+  
1

Lumen Output	35K	4K
<b>Square+1 T1 73W</b>	<b>7420</b>	<b>7545</b>
<b>Square+1 T1 38W</b>	<b>3792</b>	<b>3917</b>
<b>Square+1 T2 73W</b>	<b>6988</b>	<b>7113</b>
<b>Square+1 T2 38W</b>	<b>3564</b>	<b>3689</b>
<b>Square+1 73W</b>	<b>6956</b>	<b>7081</b>
<b>Square+1 38W</b>	<b>3547</b>	<b>3672</b>



Scan here  
for installation  
instructions

# Order Guide - Square+1



Order code example

**SQ1-T1-38-AM-4K-120-NA**

SQ1-

Optics	Wattage	Finish	Kelvin	Voltage	Controls	Accessories
<b>T1</b> Type I	<b>38</b> 38 watt	<b>AM</b> Aluminum Metallic	<b>3K</b> 3000K	<b>UNV</b> 120-277V	<b>NA</b> Non Dimming	<b>WMA</b> Wall Mounting Arm
<b>T2</b> Type II	<b>73</b> 73 watt (max)	<b>IG</b> Iron Gray	<b>35K</b> 3500k		<b>0-10V</b> 0-10V Dimming	<b>AR</b> Arm for mounting
<b>T4</b> Type IV	<b>XX</b> Specify Wattage Must be below max	<b>IR</b> Iron Rust	<b>4K</b> 4000k		<b>ELV</b> ELV Dimming	<b>SPM</b> Single Pole mounting Bracket
		<b>BK</b> Textured Black				<b>DPM</b> Double Pole mounting Bracket
		<b>WH</b> Textured White				<b>SPT</b> Single Pole top arm
		<b>CC</b> Custom Color				<b>DPT90</b> Double Pole top arm 90°
						<b>DPT180</b> Double Pole top arm 180°
						<b>TPT90</b> Triple Pole top arm 90°
						<b>TPT120</b> Triple Pole top arm 120°
						<b>QPT</b> Quadruple Pole top arm
						<b>GS3</b> Gliding Support bracket Ø 3 9/16"
						<b>PA</b> Pole arms
						<b>GS3 Required with pole option</b>

Performance in Lighting reserves the right to make all necessary changes without prior notice.

Performance in Lighting - 2621 Keys Pointe - Conyers, Georgia 30013 - USA - voice 770.822.2115 - info.usa@pil.lighting  
www.performanceinlighting.com

**Revision 04**  
**12/22**

# OPTIONAL ACCESSORIES

DESCRIPTION	FINISH	PART NUMBER
<b>Wall mount</b>		
Wall-mounting arm SQUARE+1	●	<b>14111196</b>
Arms for Square+1	●	<b>14472896</b>
<b>SQUARE +1 solution</b>		
Single pole mounting bracket to be installed on 2.5" – 3.5" diameter poles	●	<b>14133596</b>
Double pole mounting bracket to be installed on 2.5" – 3.5" diameter poles	●	<b>14133696</b>
Single pole top arm Ø 60÷76 mm/Ø 2.36"÷2.99" SQUARE+1	●	<b>14110396</b>
Double arm at 90° with pole top Ø 60÷76 mm/Ø 2.36"÷2.99" SQUARE+1	●	<b>14110496</b>
Double arm at 180° with pole top Ø 60÷76 mm/Ø 2.36"÷2.99" SQUARE+1	●	<b>14110596</b>

DESCRIPTION	FINISH	PART NUMBER
Triple arm at 90° with pole top Ø 60÷76 mm/Ø 2.36"÷2.99" SQUARE+1	●	<b>14110696</b>
Triple arm at 120° with pole top Ø 60÷76 mm/Ø 2.36"÷2.99" SQUARE+1	●	<b>14110796</b>
Quadruple pole top arm Ø 60÷76 mm/Ø 2.36"÷2.99" SQUARE+1	●	<b>14110896</b>
<b>SQUARE +1 SYSTEMPARK solution</b>		
Gliding support made of painted aluminium for the installation on Ø 3 9/16" / Ø 90 mm posts	●	<b>14099696</b>
Pole arms for Square SQUARE+1	●	<b>14473096</b>



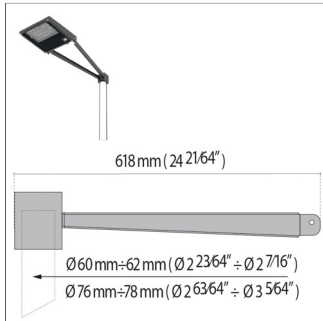
**14111196**



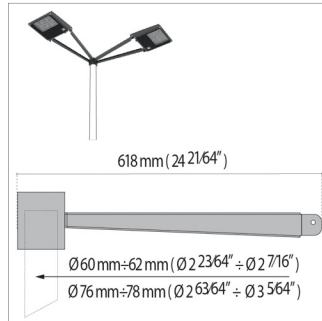
**14472896**



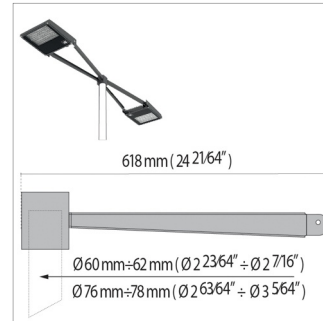
**14133696**



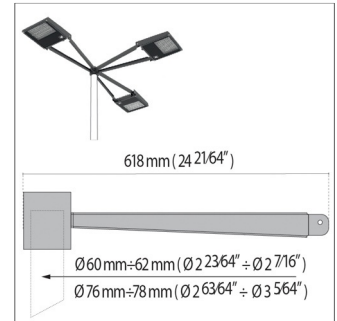
**14110396**



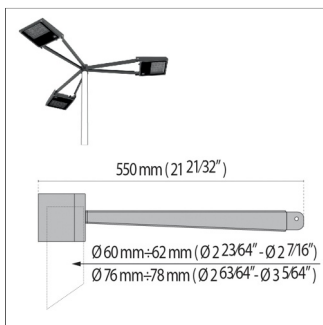
**14110496**



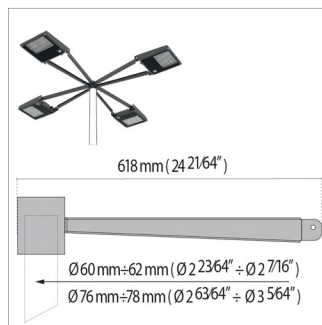
**14110596**



**14110696**



**14110796**



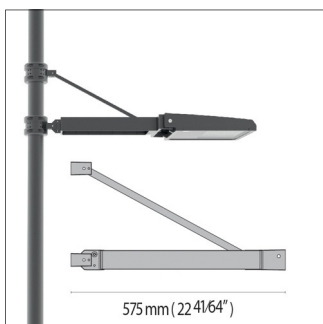
**14110896**



**14099896**



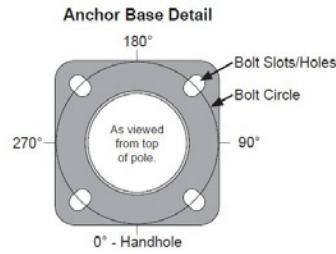
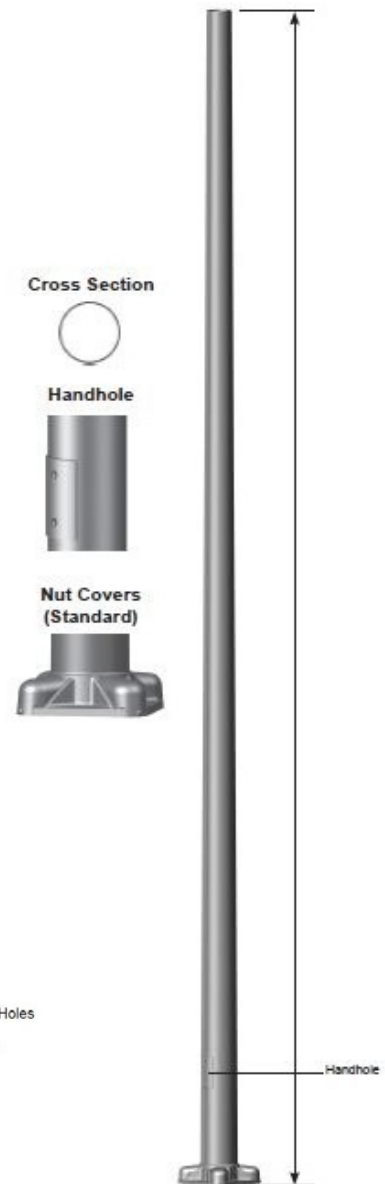
**14099696**



**14473096**

# OPTIONAL ACCESSORIES

DESCRIPTION	FINISH	PART NUMBER
Pole 8'		<b>71408353</b>
Pole 10'		<b>71410353</b>
Pole 12'		<b>71412353</b>
Pole 14'		<b>71414353</b>
Pole 16'		<b>71416353</b>



## STANDARD POLE OPTIONS:

- Poles are rated for 130mph (contact factory for poles with higher wind and weight ratings).
- Contact factory for additional pole heights and finishes, as well as banner arms and an integrated GFCI outlet option.
- Anchor bolts and templates can ship ahead of the poles to help expedite installation schedules.