

# SQUARE +2



Long-lasting energy-efficient architectural, landscape and professional flood light series. Fixtures consist of:

- Multi-step powder-coat painting process, optimized against UV rays and corrosion.
- Copper-free precision die-cast aluminum housing and ring/faceplate.
- Extra-clear, flat, tempered silk-screened soda-lime glass diffuser.
- Custom molded, anti-aging gasket(s).
- Stainless steel external hardware.
- Custom MCPCB utilized to maximize heat dissipation and promote a long LED life.
- High-transmittance transparent optics.
- IESNA Type II light distribution.
- IESNA Type III light distribution.
- IESNA Type IV light distribution.
- Integral surge protector can withstand up to 10 kV transient line surge.
- Input voltage: 120-277 V (50 / 60 Hz), integral 0-10 V dimming driver.
- Standard cable gland and graduated ferrule allow for

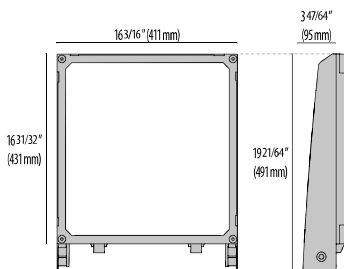
a cable (Ø0.35" - Ø0.55") to be wired inside the fixtures and retain its IP66 rating.

- Consult factory for dimming options, custom finishes (please specify RAL color), and non-cataloged CCT (Kelvin) options.
- Consult factory for custom pre-wired factory sealed cable length options.
- Consult factory for custom optics options.
- Consult factory for pole information.
- Range of accessories, including posts and painted aluminum arms, suitable for a variety of configurations for diverse settings (parks, gardens, pedestrian areas, squares, parking areas, etc.) available (ordered separately).
- For the 210 W versions, up-light installation is permitted outdoors only.
- Product meets Buy American Act requirements within ARRA.
- 5-year warranty.
- Marine Grade finish.
- Suitable for Natatorium applications.



## FINISHES

- AN-96 / Iron gray / Textured
- BK-81 / Black / Textured
- GR-94 / Aluminum metallic / Textured
- WH-87 / White / Textured
- RB-10 / Iron rust / Textured



SQUARE+  
2

Lumen Output	35K	4K
Square+2 T2 210W	22749	22999
Square+2 T2 139W	15233	15483
Square+2 T3 210W	21783	22033
Square+2 T3 139W	14832	15082
Square+2 T4 210W	21974	22099
Square+2 T4 139W	14763	15013



Scan here  
for installation  
instructions

# Order Guide - Square+2



Order code example

**SQ2-T3-139-AM-35K-120-NA**

SQ2-

Optics	Wattage	Finish	Kelvin	Voltage	Controls	Accessories
<b>T2</b> Type II  <b>T3</b> Type III  <b>T4</b> Type IV	<b>139</b> 139 watt  <b>210</b> 210 watt (max)  XX Specify Wattage Must be below max	<b>AM</b> Aluminum Metallic  <b>IG</b> Iron Gray  <b>IR</b> Iron Rust  <b>BK</b> Textured Black  <b>WH</b> Textured White  <b>CC</b> Custom Color	<b>3K</b> 3000K  <b>35K</b> 3500k  <b>4K</b> 4000k	<b>UNV</b> 120-277V	<b>NA</b> Non Dimming  <b>0-10V</b> 0-10V Dimming  <b>ELV</b> ELV Dimming	<b>WMA</b> Wall Mounting Arm  <b>AR</b> Arm for mounting  <b>SPT</b> Single Pole top arm  <b>DPT90</b> Double Pole top arm 90°  <b>DPT180</b> Double Pole top arm 180°  <b>TPT90</b> Triple Pole top arm 90°  <b>TPT120</b> Triple Pole top arm 120°  <b>QPT</b> Quadruple Pole top arm  <b>GS3</b> Gliding Support bracket Ø 3 9/16"  <b>PA</b> Pole arms  <b>GS3 Required with pole option</b>

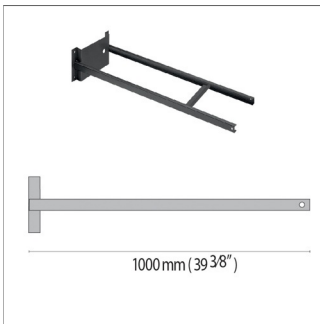
Performance in Lighting reserves the right to make all necessary changes without prior notice.

Performance in Lighting - 2621 Keys Pointe - Conyers, Georgia 30013 - USA - voice 770.822.2115 - info.usa@pil.lighting  
www.performanceinlighting.com

Revision 06  
06/23

# OPTIONAL ACCESSORIES

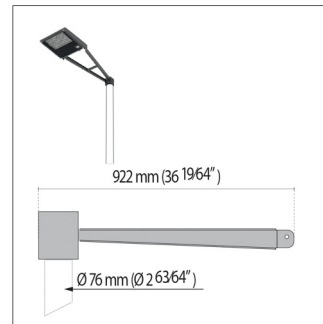
DESCRIPTION	FINISH	PART NUMBER
<b>Wall mount</b>		
Wall-mounting arm SQUARE+2	●	<b>14111896</b>
Arms for SQUARE+2	●	<b>14472996</b>
<b>SQUARE +2 solution</b>		
Single pole top arm Ø 76 mm/Ø 2.99" SQUARE+2	●	<b>14111296</b>
Double arm at 90° with pole top Ø 76 mm/Ø 2.99" SQUARE+2	●	<b>14111396</b>
Double arm at 180° with pole top Ø 76 mm/Ø 2.99" SQUARE+2	●	<b>14111496</b>
Triple arm at 90° with pole top Ø 76 mm/Ø 2.99" SQUARE+2	●	<b>14111596</b>
Triple arm at 120° with pole top Ø 76 mm SQUARE+2	●	<b>14111696</b>
Quadruple pole top arm Ø 76 mm/Ø 2.99" SQUARE+2	●	<b>14111796</b>
<b>SQUARE +2 SYSTEMPARK solution</b>		
Gliding support made of painted aluminium for the installation on Ø 3 9/16" / Ø 90 mm posts	●	<b>14099696</b>
Pole arms for SQUARE+2	●	<b>14473196</b>



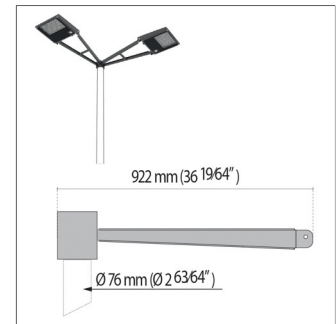
**14111896**



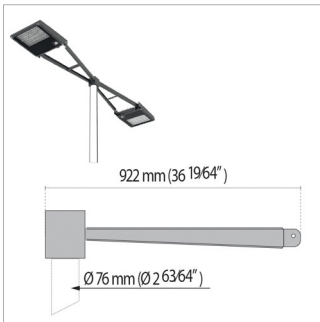
**14472996**



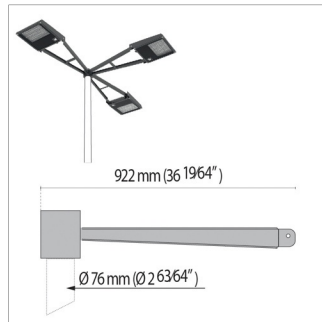
**14111296**



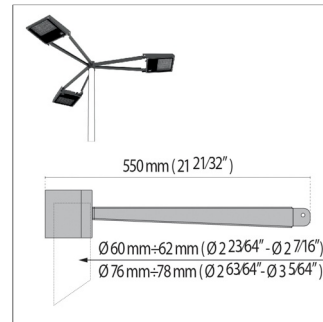
**14111396**



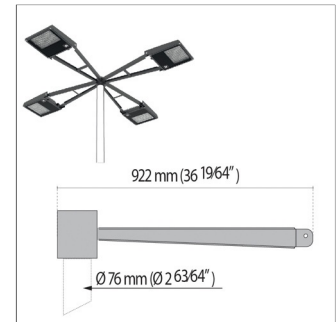
**14111496**



**14111596**



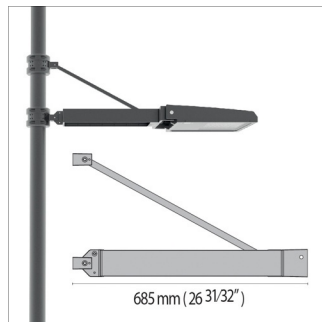
**14111696**



**14111796**



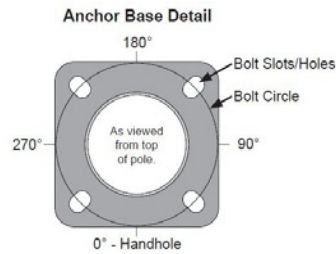
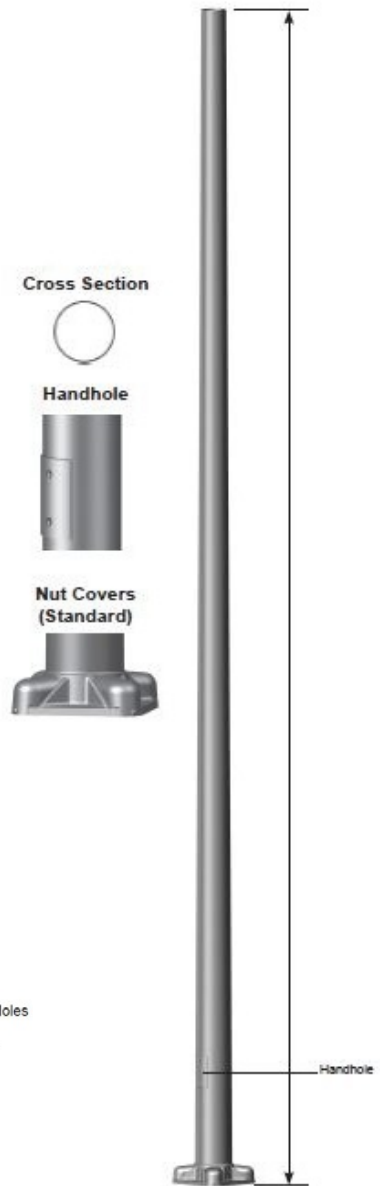
**14099696**



**14473196**

# OPTIONAL ACCESSORIES

DESCRIPTION	FINISH	PART NUMBER
Pole 8'		<b>71408353</b>
Pole 10'		<b>71410353</b>
Pole 12'		<b>71412353</b>
Pole 14'		<b>71414353</b>
Pole 16'		<b>71416353</b>



## STANDARD POLE OPTIONS:

- Poles are rated for 130mph (contact factory for poles with higher wind and weight ratings).
- Contact factory for additional pole heights and finishes, as well as banner arms and an integrated GFCI outlet option.
- Anchor bolts and templates can ship ahead of the poles to help expedite installation schedules.