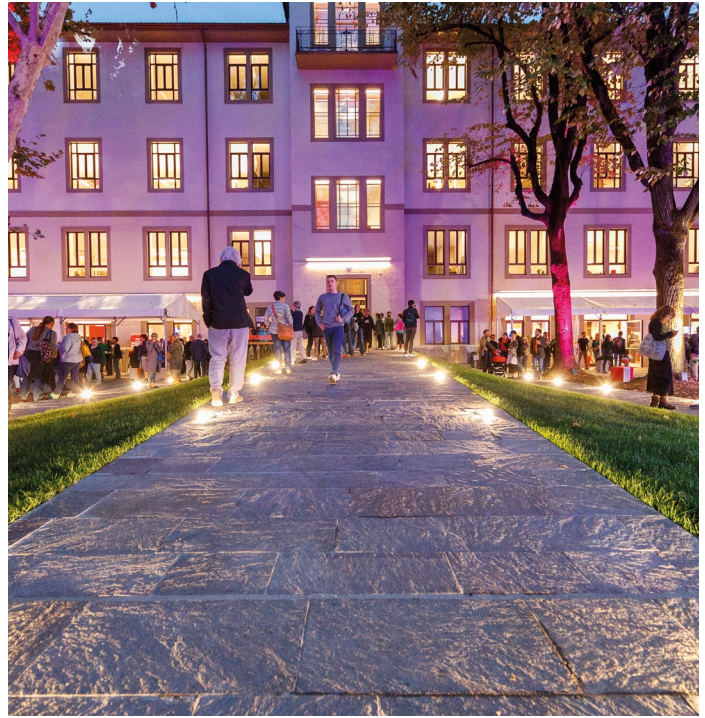


# STEEL ROUND MAXI RAD



In-ground step mark series. Fixtures consist of:

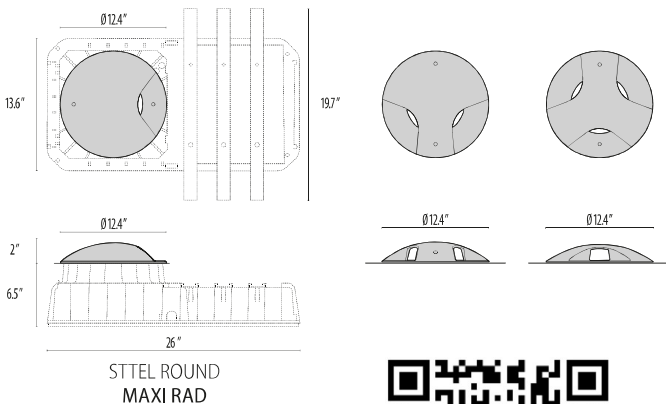
- Copper-free die-cast aluminum housing and die-cast corrosion-resistant AISI 316 stainless steel dome (RAD versions).
- High transmittance, internally frosted, soda-lime pressed glass diffuser, thermally, and chemically quenched to strengthen the impact resistance and reduce the effect of rapid temperature changes (RAD versions).
- Custom molded, anti-aging gasket(s).
- Stainless steel external hardware.
- Custom MCPCB utilized to maximize heat dissipation and promote a long LED life.
- Ground-level side-emission light distribution (RAD 90°, 180°, and 360°).
- Input voltage: 120-277 V (50 / 60 Hz), integral driver.
- Pre-wired cable connects luminaire with WATER-STOP connection system, suitable for through wiring. Included cable glands accept cables from Ø0.35" up to Ø0.63".
- Drive over rated <6 MPH, 6613 lbs weight  
Static load up to 4409 lbs

- COMPACT reduced depth rough-in comes with formed steel bars to provide support in drive-over applications and is designed to encourage water drainage.
- Each rough-in kit is provided with a protective faceplate to avoid possible deformations during the installation in concrete to simplify installation.
- Standard easy-to-adjust mounting system that enables the fixture to be easily aimed even after installation.
- Consult factory for dimming options, custom finishes (please specify RAL color), and non-cataloged CCT (Kelvin) options including static colors.
- Thermoplastic compression-molded rough-in kit can be ordered separately.
- For outdoor inground applications, provide drainage gravel at least 12" below the rough-in or a suitable drainage system.
- Product meets Buy American Act requirements within ARRA.
- 5-year warranty.
- Marine Grade finish.
- Suitable for Natatorium applications.



## FINISHES

- INOX / Stainless steel / Matt
- BK-81 / Black / Textured
- AN-96 / Iron gray / Textured
- GR-94 / Aluminum metallic / Textured
- WH-87 / White / Textured
- RB-10 / Iron rust / Textured



Lumen Output	3K	4K	6K
Steel Round Maxi RAD 90°	146	172	199
Steel Round Maxi RAD 180°	306	344	382
Steel Round Maxi Rad 360°	452	508	564

6W/12W/18W Max Wattage



Scan here  
for installation  
instructions

Revision 04  
05/23

# Order Guide - Steel Round Maxi RAD



Order code example

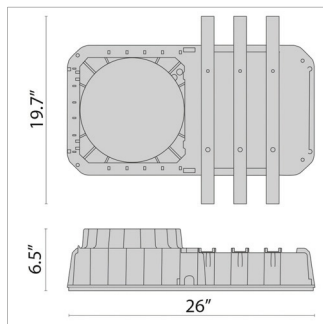
**SRMAXR-90-6-SS-3K-277-NA**

SRMAXR-

Light Output	Wattage	Finish	Kelvin	Voltage	Controls	Accessories
<b>90</b> 1 Beam	<b>6</b> 6 watt (90 max)	<b>SS</b> Stainless Steel Polished	<b>3K</b> 3000k	<b>UNV</b> 120-277V	<b>NA</b> Non Dimming  <b>0-10V</b> 0-10V Dimming  <b>ELV</b> ELV Dimming	<b>TP</b> Tamper Proof hardware
<b>180</b> 2 Beams	<b>12</b> 12 watt (180 max)	<b>AM</b> Aluminum Metallic	<b>4K</b> 4000k			
<b>360</b> 3 Beams	<b>18</b> 18 watt (360 max)	<b>IG</b> Iron Gray  <b>IR</b> Iron Rust  <b>BK</b> Textured Black  <b>WH</b> Textured White  <b>CC</b> Custom Color	<b>6K</b> 6000K			
	<b>XX</b> Specify wattage must be below max					

## INCLUDED ACCESSORIES

DESCRIPTION	FINISH	PART NUMBER
STEEL ROUND MAXI RAD		
Recessed Rough-in kit		<b>310252</b>



Performance in Lighting reserves the right to make all necessary changes without prior notice.

Performance in Lighting - 2621 Keys Pointe - Conyers, Georgia 30013 - USA - voice 770.822.2115 - info.usa@pil.lighting  
www.performanceinlighting.com

Revision 04  
05/23